

# SAC-3P- 1,5-PVC/A-1L-Z - Sensor/actuator cable



1438684

<https://www.phoenixcontact.com/us/products/1438684>

Please be informed that the data shown in this PDF document is generated from our online catalog. Please find the complete data in the user documentation. Our general terms of use for downloads are valid.



Sensor/actuator cable, 3-position, PVC, black RAL 9005, free cable end, on Valve connector A, with 1 LED, Wiring: Z diode, cable length: 1.5 m

## Commercial data

Item number	1438684
Packing unit	1 pc
Minimum order quantity	1 pc
Sales key	BF07
Product key	AF1DAA
GTIN	4046356488778
Weight per piece (including packing)	81.5 g
Weight per piece (excluding packing)	74.4 g
Customs tariff number	85444290
Country of origin	PL

# SAC-3P- 1,5-PVC/A-1L-Z - Sensor/actuator cable



1438684

<https://www.phoenixcontact.com/us/products/1438684>

## Technical data

### Product properties

Product type	Sensor/actuator cable with valve connector
Application	Standard
Number of positions	3
No. of cable outlets	1
Shielded	no

### Insulation characteristics

Overvoltage category	III
Degree of pollution	3

### Connection data

#### Conductor connection

Tightening torque	0.6 Nm (Valve connector)
-------------------	--------------------------

### Material specifications

Flammability rating according to UL 94	V0
Seal material	TPU
Material housing valve plug	TPU
Contact material	CuSn
Valve plug contact insert material	PA 6.6
Contact surface material	Sn

### Electrical properties

Insulation resistance	≥ 100 MΩ
Nominal voltage $U_N$	24 V AC
	24 V DC
Nominal current $I_N$	4 A

### Valve connector characteristics

Fixing screws	M3 x 29
Pulse power	40 W (at 100 μs square-wave pulse)
Terminal voltage	70 V (at 2 mA constant current)
Reverse voltage	50 V

### Signaling

Status display	1 LED
Status display present	yes

### Connector

#### Connection 1

Type	free cable end
------	----------------

# SAC-3P- 1,5-PVC/A-1L-Z - Sensor/actuator cable



1438684

<https://www.phoenixcontact.com/us/products/1438684>

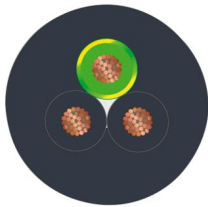
## Connection 2

Type	Valve connector A
Number of positions	3
Material	CuSn (Contact)
	Sn (Contact surface)
	PA 6.6 (Contact carrier)
	TPU (Housing)
Protective circuit	Z diode

## Cable/line

Cable length	1.5 m
--------------	-------

## PVC black [PVC]

Dimensional drawing	
Cable weight	38.6 kg/km
UL AWM Style	2464
Number of positions	3
Shielded	no
Cable type	PVC black [PVC]
Conductor structure signal line	16x 0.20 mm
AWG signal line	20
Conductor cross-section	3x 0.5 mm <sup>2</sup>
Wire diameter incl. insulation	1.5 mm ±0.05 mm
External cable diameter	4.80 mm ±0.2 mm
Outer sheath, material	PVC
External sheath, color	black RAL 9005
Conductor material	Bare Cu litz wires
Material wire insulation	PVC
Single wire, color	black 1, black 2, green/yellow
Overall twist	3 wires, twisted
Max. conductor resistance	39 Ω/km (at 20 °C)
Insulation resistance	≥ 20 MΩ*km
Nominal voltage, cable	300 V
Test voltage	1200 V
Minimum bending radius, fixed installation	5 x D
Smallest bending radius, fixed installation	24 mm
Flame resistance	DIN VDE 0482

# SAC-3P- 1,5-PVC/A-1L-Z - Sensor/actuator cable



1438684

<https://www.phoenixcontact.com/us/products/1438684>

	DIN EN 50265-2-1
Resistance to oil	in accordance with DIN EN 60811-2-1
Ambient temperature (operation)	-40 °C ... 80 °C (cable, fixed installation)
	-5 °C ... 80 °C (Cable, flexible installation)

## Environmental and real-life conditions

### Ambient conditions

Degree of protection	IP65
	IP67
Ambient temperature (operation) (Valve connector)	-20 °C ... 85 °C (Valve connector)

## Standards and regulations

### Valve connector

Standard designation	Valve connector
Standards/specifications	EN 175301-803

# SAC-3P- 1,5-PVC/A-1L-Z - Sensor/actuator cable



1438684

<https://www.phoenixcontact.com/us/products/1438684>

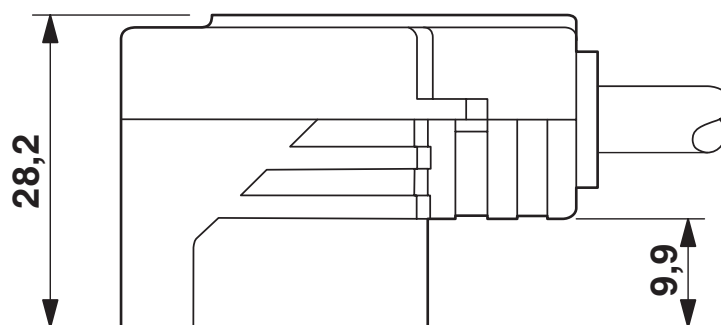
## Drawings

Dimensional drawing



Valve connector, type A

Dimensional drawing



Valve connector, type A, side view

# SAC-3P- 1,5-PVC/A-1L-Z - Sensor/actuator cable

1438684

<https://www.phoenixcontact.com/us/products/1438684>

Schematic diagram



Valve connector pin assignment, type A

Circuit diagram



Contact assignment of the valve plug

# SAC-3P- 1,5-PVC/A-1L-Z - Sensor/actuator cable




1438684

<https://www.phoenixcontact.com/us/products/1438684>

## Approvals

To download certificates, visit the product detail page: <https://www.phoenixcontact.com/us/products/1438684>

 <b>CSA</b> Approval ID: 13631				
	Nominal voltage $U_N$	Nominal current $I_N$	Cross section AWG	Cross section $\text{mm}^2$
keine				
	24 V	4 A	-	-

 <b>EAC-RoHS</b> Approval ID: RU D-DE.HB35.B.00387				
--	--	--	--	--

 <b>CSAus</b> Approval ID: 13631				
	Nominal voltage $U_N$	Nominal current $I_N$	Cross section AWG	Cross section $\text{mm}^2$
keine				
	24 V	4 A	-	-

# SAC-3P- 1,5-PVC/A-1L-Z - Sensor/actuator cable



1438684

<https://www.phoenixcontact.com/us/products/1438684>

## Classifications

### ECLASS

ECLASS-13.0	27060312
ECLASS-15.0	27060312

### ETIM

ETIM 10.0	EC001855
-----------	----------

### UNSPSC

UNSPSC 21.0	31251500
-------------	----------

# SAC-3P- 1,5-PVC/A-1L-Z - Sensor/actuator cable



1438684

<https://www.phoenixcontact.com/us/products/1438684>

## Environmental product compliance

### EU RoHS

Fulfills EU RoHS substance requirements	Yes
Exemption	7(c)-I

### China RoHS

Environment friendly use period (EFUP)	EFUP-50
	An article-related China RoHS declaration table can be found in the download area for the respective article under "Manufacturer declaration". For all articles with EFUP-E, no China RoHS declaration table issued and required.

### EU REACH SVHC

REACH candidate substance (CAS No.)	Diboron trioxide(CAS: 1303-86-2)
	Lead monoxide (lead oxide)(CAS: 1317-36-8)

### EF3.1 Climate Change

CO2e kg	1.056 kg CO2e
---------	---------------

Phoenix Contact 2026 © - all rights reserved  
<https://www.phoenixcontact.com>

Phoenix Contact USA  
586 Fulling Mill Road  
Middletown, PA 17057, United States  
(+717) 944-1300  
[info@phoenixcon.com](mailto:info@phoenixcon.com)