

SAC-3P-M12MS/0,6-240/A-1L-Z - Sensor/actuator cable

1438655

<https://www.phoenixcontact.com/us/products/1438655>

Please be informed that the data shown in this PDF document is generated from our online catalog. Please find the complete data in the user documentation. Our general terms of use for downloads are valid.



Sensor/actuator cable, 3-position, PUR halogen-free, yellow, Plug straight M12, coding: A, with 1 LED, on Valve connector A, with 1 LED, Wiring: Z diode, cable length: 0.6 m

The figure shows the SPEEDCON version

Commercial data

Item number	1438655
Packing unit	1 pc
Minimum order quantity	1 pc
Product key	AF1DJA
GTIN	4046356488549
Weight per piece (including packing)	51.9 g
Weight per piece (excluding packing)	51.9 g
Country of origin	PL

SAC-3P-M12MS/0,6-240/A-1L-Z - Sensor/actuator cable



1438655

<https://www.phoenixcontact.com/us/products/1438655>

Technical data

Product properties

Product type	Sensor/actuator cable with valve connector
Number of positions	3
No. of cable outlets	1
Shielded	no
Coding	A

Insulation characteristics

Overvoltage category	III
Degree of pollution	3

Connection data

Conductor connection

Tightening torque	0.4 Nm (M12 connector)
	0.6 Nm (Valve connector)

Material specifications

Flammability rating according to UL 94	HB
Seal material	TPU
Material housing valve plug	TPU
Material of grip body	TPU
Contact material	CuSn
Contact surface material	Ni/Au
Contact carrier material	TPU GF
Contact material	CuSn
Valve plug contact insert material	PA 6.6
Contact surface material	Sn
Material for screw connection	Zinc die-cast, nickel-plated

Electrical properties

Insulation resistance	$\geq 100 \text{ M}\Omega$
Nominal voltage U_N	24 V AC
	24 V DC
Nominal current I_N	4 A

Mechanical properties

Mechanical data

Insertion/withdrawal cycles	≥ 100 (M12 connector)
-----------------------------	----------------------------

Signaling

Status display	1 LED
----------------	-------

SAC-3P-M12MS/0,6-240/A-1L-Z - Sensor/actuator cable



1438655

<https://www.phoenixcontact.com/us/products/1438655>

Status display present	yes
------------------------	-----

Connector

Connection 1

Type	Plug straight M12
Number of positions	3
Coding type	A

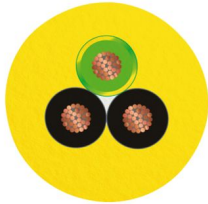
Connection 2

Type	Valve connector A
Number of positions	3
Material	CuSn (Contact) Sn (Contact surface) PA 6.6 (Contact carrier) TPU (Housing)
Protective circuit	Z diode

Cable/line

Cable length	0.6 m
--------------	-------

PUR halogen-free yellow [240]

Dimensional drawing	
Cable weight	30 kg/km
UL AWM Style	20549 (80°C/300 V)
Number of positions	3
Shielded	no
Cable type	PUR halogen-free yellow [240]
Conductor structure signal line	28x 0.15 mm
AWG signal line	20
Conductor cross-section	3x 0.5 mm ²
Wire diameter incl. insulation	1.46 mm ±0.02 mm
External cable diameter	4.50 mm ±0.15 mm
Outer sheath, material	PUR
External sheath, color	yellow
Conductor material	Bare Cu litz wires
Material wire insulation	PP
Single wire, color	black 1, black 2, green/yellow

SAC-3P-M12MS/0,6-240/A-1L-Z - Sensor/actuator cable



1438655

<https://www.phoenixcontact.com/us/products/1438655>

Thickness, insulation	≥ 0.21 mm
Thickness, outer sheath	approx. 0.60 mm
Overall twist	3 wires, twisted
Max. conductor resistance	≤ 39 Ω/km
Insulation resistance	≥ 10 GΩ*km
Nominal voltage, cable	≤ 300 V
Test voltage	≥ 3000 V
Minimum bending radius, fixed installation	5 x D
Minimum bending radius, flexible installation	10 x D
Smallest bending radius, fixed installation	23 mm
Smallest bending radius, movable installation	45 mm
Halogen-free	in accordance with DIN VDE 0472 part 815
Flame resistance	in accordance with DIN UL-Style 20549
Resistance to oil	in accordance with DIN EN 60811-2-1
Ambient temperature (operation)	-15 °C ... 80 °C (cable, fixed installation)

Environmental and real-life conditions

Ambient conditions

Degree of protection	IP65
	IP67
Ambient temperature (operation) (male connector/female connector)	-25 °C ... 90 °C (Plug / socket)
Ambient temperature (operation) (Valve connector)	-20 °C ... 85 °C (Valve connector)

Standards and regulations

M12

Standard designation	M12 connector
Standards/specifications	IEC 61076-2-101

Valve connector

Standard designation	Valve connector
Standards/specifications	EN 175301-803

SAC-3P-M12MS/0,6-240/A-1L-Z - Sensor/actuator cable

1438655

<https://www.phoenixcontact.com/us/products/1438655>

Drawings

Dimensional drawing



Plug, M12 x 1, straight, shielded

Dimensional drawing



Valve connector, type A

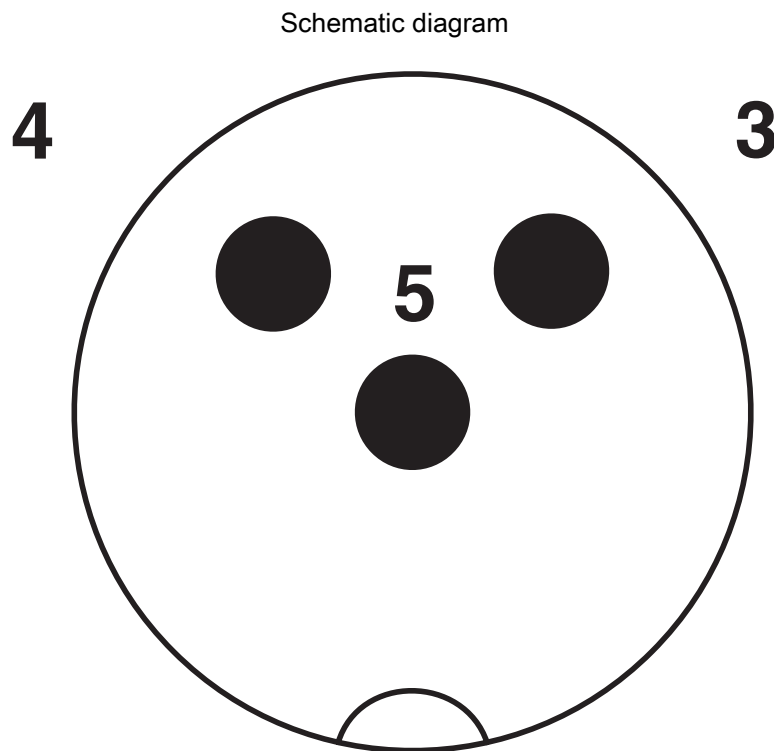
SAC-3P-M12MS/0,6-240/A-1L-Z - Sensor/actuator cable

1438655

<https://www.phoenixcontact.com/us/products/1438655>



Valve connector, type A, side view



Pin assignment M12 plug, 3-pos., valve connector

SAC-3P-M12MS/0,6-240/A-1L-Z - Sensor/actuator cable

1438655

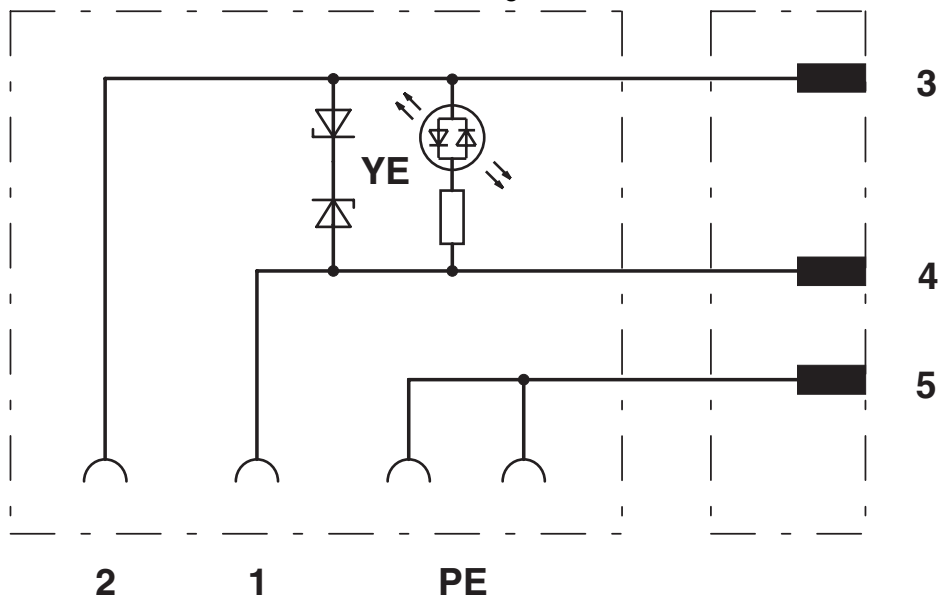
<https://www.phoenixcontact.com/us/products/1438655>

Schematic diagram



Valve connector pin assignment, type A

Circuit diagram



Contact assignment of M12 plug and valve connector

SAC-3P-M12MS/0,6-240/A-1L-Z - Sensor/actuator cable



1438655

<https://www.phoenixcontact.com/us/products/1438655>

Classifications

ECLASS

ECLASS-13.0	27060312
ECLASS-15.0	27060312

SAC-3P-M12MS/0,6-240/A-1L-Z - Sensor/actuator cable



1438655

<https://www.phoenixcontact.com/us/products/1438655>

Environmental product compliance

China RoHS

Environment friendly use period (EFUP)	EFUP-50
	An article-related China RoHS declaration table can be found in the download area for the respective article under "Manufacturer declaration". For all articles with EFUP-E, no China RoHS declaration table issued and required.

EU REACH SVHC

REACH candidate substance (CAS No.)	No substance above 0.1 wt%
-------------------------------------	----------------------------

Phoenix Contact 2026 © - all rights reserved
<https://www.phoenixcontact.com>

Phoenix Contact USA
586 Fulling Mill Road
Middletown, PA 17057, United States
(+717) 944-1300
info@phoenixcon.com