

# SAC-3P-M12MS/ 0,8-PUR/A-1L-Z - Sensor/actuator cable



1438503

<https://www.phoenixcontact.com/us/products/1438503>

Please be informed that the data shown in this PDF document is generated from our online catalog. Please find the complete data in the user documentation. Our general terms of use for downloads are valid.



Sensor/actuator cable, PUR halogen-free, black-gray RAL 7021, Plug straight M12, coding: A, on Valve connector A, with 1 LED, Wiring: Z diode, cable length: 0.8 m

The figure shows the SPEEDCON version

## Commercial data

Item number	1438503
Packing unit	1 pc
Minimum order quantity	1 pc
Note	Made to order (non-returnable)
Product key	AF1DJA
GTIN	4046356488488
Weight per piece (including packing)	58.7 g
Weight per piece (excluding packing)	56.2 g
Country of origin	PL

# SAC-3P-M12MS/ 0,8-PUR/A-1L-Z - Sensor/actuator cable



1438503

<https://www.phoenixcontact.com/us/products/1438503>

## Technical data

### Product properties

Product type	Sensor/actuator cable with valve connector
--------------	--

### Insulation characteristics

Overvoltage category	III
Degree of pollution	3

### Material specifications

Flammability rating according to UL 94	HB
--	----

### Electrical properties

Nominal voltage $U_N$	24 V AC
	24 V DC
Nominal current $I_N$	4 A

### Mechanical properties

#### Mechanical data

Insertion/withdrawal cycles	$\geq 100$
-----------------------------	------------

### Signaling

Status display	1 LED
Status display present	yes

### Connector

#### Connection 1

Type	Plug straight M12
Coding type	A

#### Connection 2

Type	Valve connector A
Protective circuit	Z diode

### Cable/line

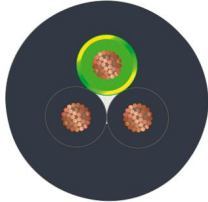
Cable length	0.8 m
--------------	-------

PUR halogen-free black [PUR]

# SAC-3P-M12MS/ 0,8-PUR/A-1L-Z - Sensor/actuator cable

1438503

<https://www.phoenixcontact.com/us/products/1438503>

Dimensional drawing	
Cable weight	30 kg/km
UL AWM Style	20549
Number of positions	3
Shielded	no
Cable type	PUR halogen-free black [PUR]
Conductor structure signal line	28x 0.15 mm
AWG signal line	20
Conductor cross-section	3x 0.5 mm <sup>2</sup>
Wire diameter incl. insulation	1.5 mm ±0.05 mm (Signal line)
External cable diameter	4.50 mm ±0.2 mm
Outer sheath, material	PUR
External sheath, color	black-gray RAL 7021
Conductor material	Bare Cu litz wires
Material wire insulation	PP
Single wire, color	black 1, black 2, green/yellow
Overall twist	3 wires, twisted
Max. conductor resistance	39 Ω/km (at 20 °C)
Insulation resistance	min. 20 MΩ*km
Nominal voltage, cable	≤ 300 V
Test voltage	≥ 1200 V
Minimum bending radius, fixed installation	5 x D
Minimum bending radius, flexible installation	10 x D
Smallest bending radius, fixed installation	22.5 mm
Smallest bending radius, movable installation	45 mm
Dynamic load capacity (bending)	Max. bending cycles: 15000000, Bending radius: 50 mm, Traversing path: 0.9 m, Traversing rate: 5 m/s, Acceleration: 30 m/s <sup>2</sup>
Halogen-free	in accordance with DIN VDE 0472 part 815
Flame resistance	according to DIN VDE 0482 According to DIN EN 50265-2-1
Resistance to oil	in accordance with DIN EN 60811-2-1
Other resistance	largely oil-resistant partly UV-resistant (in accordance with DIN EN ISO 4892-2-A)
Ambient temperature (operation)	-40 °C ... 80 °C (cable, fixed installation) -20 °C ... 80 °C (Cable, flexible installation)

# SAC-3P-M12MS/ 0,8-PUR/A-1L-Z - Sensor/actuator cable



1438503

<https://www.phoenixcontact.com/us/products/1438503>

## Environmental and real-life conditions

### Ambient conditions

Degree of protection	IP65
	IP67

# SAC-3P-M12MS/ 0,8-PUR/A-1L-Z - Sensor/actuator cable

1438503

<https://www.phoenixcontact.com/us/products/1438503>

## Drawings

Dimensional drawing



Plug, M12 x 1, straight, shielded

Dimensional drawing

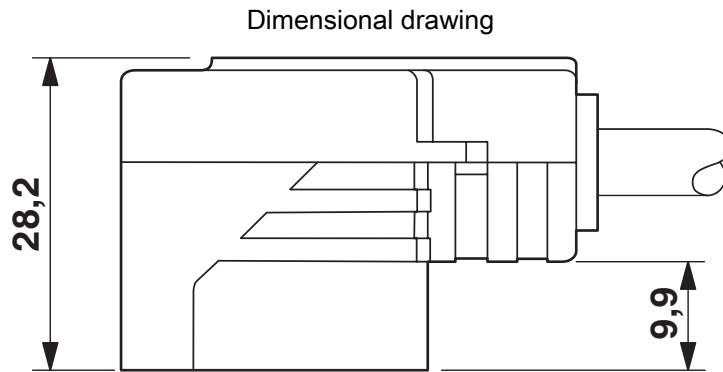


Valve connector, type A

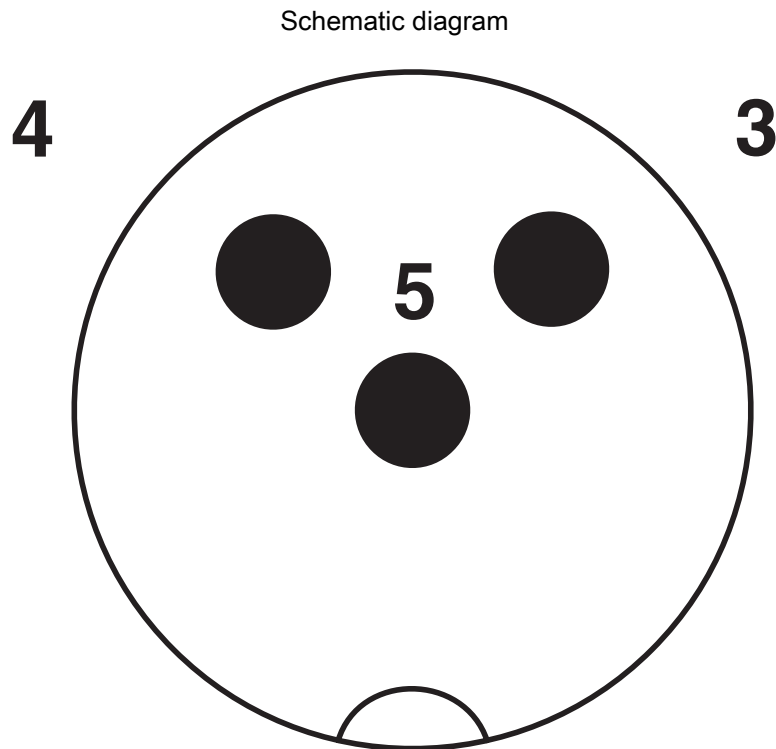
# SAC-3P-M12MS/ 0,8-PUR/A-1L-Z - Sensor/actuator cable

1438503

<https://www.phoenixcontact.com/us/products/1438503>



Valve connector, type A, side view



Pin assignment M12 plug, 3-pos., valve connector

# SAC-3P-M12MS/ 0,8-PUR/A-1L-Z - Sensor/actuator cable

1438503

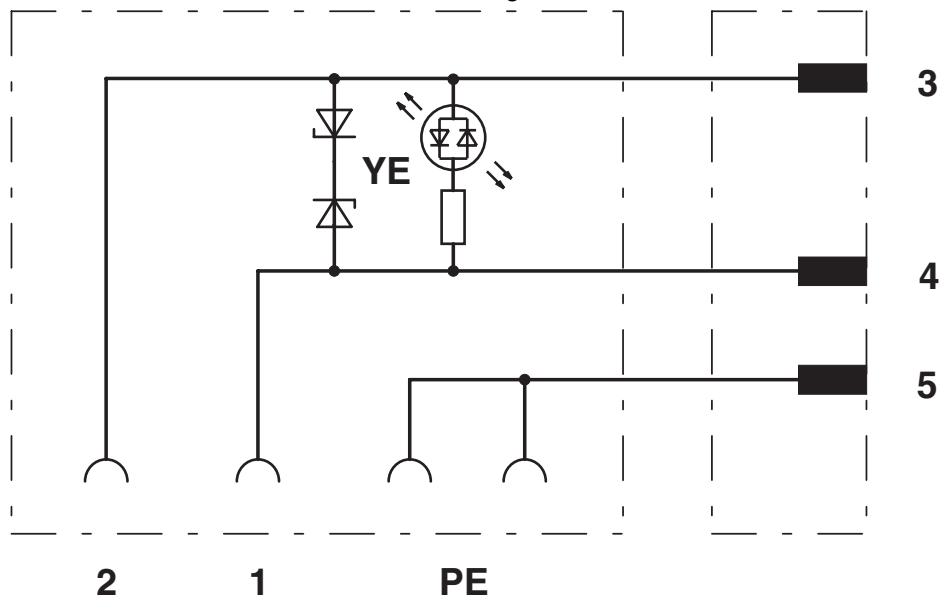
<https://www.phoenixcontact.com/us/products/1438503>

Schematic diagram



Valve connector pin assignment, type A

Circuit diagram



Contact assignment of M12 plug and valve connector

# SAC-3P-M12MS/ 0,8-PUR/A-1L-Z - Sensor/actuator cable



1438503


<https://www.phoenixcontact.com/us/products/1438503>

## Approvals

To download certificates, visit the product detail page: <https://www.phoenixcontact.com/us/products/1438503>

 <b>CSA</b> Approval ID: 13631				
	Nominal voltage $U_N$	Nominal current $I_N$	Cross section AWG	Cross section $mm^2$
keine				
	24 V	4 A	-	-

 <b>EAC-RoHS</b> Approval ID: RU D-DE.HB35.B.00387				
--	--	--	--	--

 <b>CSAus</b> Approval ID: 13631				
	Nominal voltage $U_N$	Nominal current $I_N$	Cross section AWG	Cross section $mm^2$
keine				
	24 V	4 A	-	-

# SAC-3P-M12MS/ 0,8-PUR/A-1L-Z - Sensor/actuator cable



1438503

<https://www.phoenixcontact.com/us/products/1438503>

## Classifications

### ECLASS

ECLASS-13.0	27060312
ECLASS-15.0	27060312

### ETIM

ETIM 10.0	EC001855
-----------	----------

### UNSPSC

UNSPSC 21.0	31251500
-------------	----------

# SAC-3P-M12MS/ 0,8-PUR/A-1L-Z - Sensor/actuator cable



1438503

<https://www.phoenixcontact.com/us/products/1438503>

## Environmental product compliance

### EU RoHS

Fulfills EU RoHS substance requirements	Yes
Exemption	7(c)-I

### China RoHS

Environment friendly use period (EFUP)	EFUP-50
	An article-related China RoHS declaration table can be found in the download area for the respective article under "Manufacturer declaration". For all articles with EFUP-E, no China RoHS declaration table issued and required.

### EU REACH SVHC

REACH candidate substance (CAS No.)	Diboron trioxide(CAS: 1303-86-2)
	Lead monoxide (lead oxide)(CAS: 1317-36-8)
SCIP	7a388473-fa60-4abc-ab1e-75aad08f0426

Phoenix Contact 2026 © - all rights reserved  
<https://www.phoenixcontact.com>

Phoenix Contact USA  
586 Fulling Mill Road  
Middletown, PA 17057, United States  
(+717) 944-1300  
[info@phoenixcon.com](mailto:info@phoenixcon.com)