

# SAC-5PY-M/F-M VP SH - Y distributor



1438079

<https://www.phoenixcontact.com/us/products/1438079>

Please be informed that the data shown in this PDF document is generated from our online catalog. Please find the complete data in the user documentation. Our general terms of use for downloads are valid.

Y distributor, 5-position, shielded, Plug straight M12 SPEEDCON, coding: A, on Socket straight M12 SPEEDCON, coding: A and Plug straight M12 SPEEDCON, coding: A, Parallel distributor



## Your advantages

- Reliable signal transmission – 360° shielding in environments with electromagnetic interference
- Save time, thanks to installation with SPEEDCON fast locking system

## Commercial data

|                                      |               |
|--------------------------------------|---------------|
| Item number                          | 1438079       |
| Packing unit                         | 5 pc          |
| Minimum order quantity               | 1 pc          |
| Sales key                            | BF10          |
| Product key                          | AF1GAC        |
| GTIN                                 | 4046356528436 |
| Weight per piece (including packing) | 46.17 g       |
| Weight per piece (excluding packing) | 46.17 g       |
| Customs tariff number                | 85366990      |
| Country of origin                    | PL            |

# SAC-5PY-M/F-M VP SH - Y distributor

1438079

<https://www.phoenixcontact.com/us/products/1438079>

## Technical data

### Product properties

|                      |               |
|----------------------|---------------|
| Product type         | Y-distributor |
| Number of positions  | 5             |
| No. of cable outlets | 2             |
| Shielded             | yes           |
| Coding               | A             |
| Thread type          | M12           |

### Insulation characteristics

|                      |    |
|----------------------|----|
| Overvoltage category | II |
| Degree of pollution  | 3  |

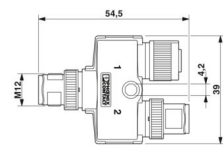
### Electrical properties

|                       |                            |
|-----------------------|----------------------------|
| Insulation resistance | $\geq 100 \text{ M}\Omega$ |
| Nominal voltage $U_N$ | 48 V AC                    |
|                       | 60 V DC                    |
| Nominal current $I_N$ | 4 A                        |

### Signaling

|                        |    |
|------------------------|----|
| Status display         | no |
| Status display present | no |

### Dimensions

|                     |  |
|---------------------|--|
| Dimensional drawing |  |
| Width               | 39 mm  |
| Height              | 16 mm  |
| Length              | 54.5 mm  |
| Center distance     | 21 mm  |

### Material specifications

|  |   |
|--|---|
| Flammability rating according to UL 94 | HB  |
| Seal material                          | NBR   |
| Material of grip body                  | TPU, hardly inflammable, self-extinguishing |
| Contact material                       | CuZn  |
| Contact surface material               | Ni/Au                                       |
| Contact carrier material               | TPU GF                                      |
| Material for screw connection          | Zinc die-cast, nickel-plated                |

1438079

<https://www.phoenixcontact.com/us/products/1438079>

## Connector

### Connection 1

|              |                            |
|--------------|----------------------------|
| Type         | Plug straight M12 SPEEDCON |
| Locking type | SPEEDCON                   |
| Coding type  | A                          |

### Connection 2

|              |                              |
|--------------|------------------------------|
| Type         | Socket straight M12 SPEEDCON |
| Locking type | SPEEDCON                     |
| Coding type  | A                            |

### Connection 3

|              |                            |
|--------------|----------------------------|
| Type         | Plug straight M12 SPEEDCON |
| Locking type | SPEEDCON                   |
| Coding type  | A                          |

## Mechanical properties

### Mechanical data

|                             |       |
|-----------------------------|-------|
| Insertion/withdrawal cycles | ≥ 100 |
|-----------------------------|-------|

## Environmental and real-life conditions

### Ambient conditions

|   |                                  |
|---|----------------------------------|
| Degree of protection  | IP65                             |
|   | IP67                             |
| Ambient temperature (operation) (male connector/female connector) | -25 °C ... 90 °C (Plug / socket) |

## Standards and regulations

|                          |                 |
|--------------------------|-----------------|
| Standard designation     | M12 connector   |
| Standards/specifications | IEC 61076-2-101 |

# SAC-5PY-M/F-M VP SH - Y distributor

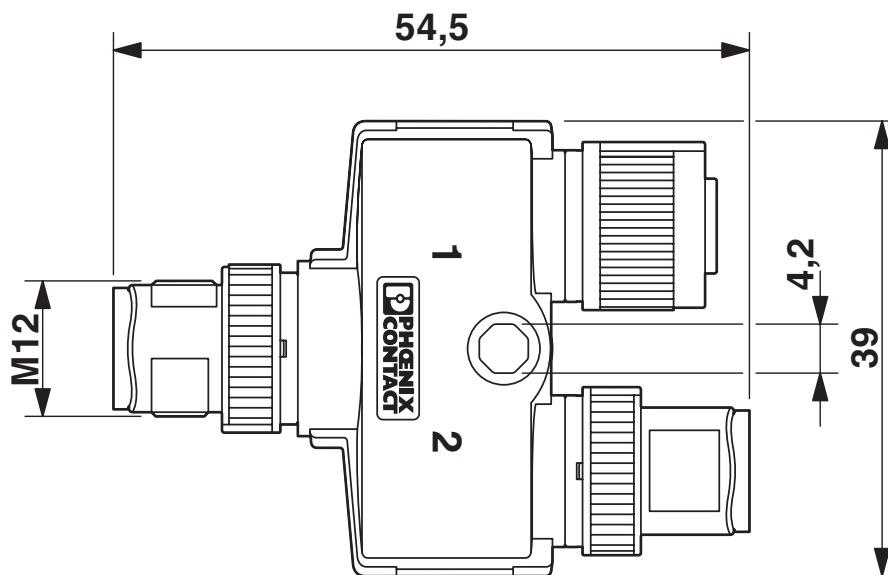


1438079

<https://www.phoenixcontact.com/us/products/1438079>

## Drawings

Dimensional drawing



M12 Y distributor

Schematic diagram



Pin assignment M12 male connector, 5-pos., A-coded, male side

# SAC-5PY-M/F-M VP SH - Y distributor

1438079

<https://www.phoenixcontact.com/us/products/1438079>

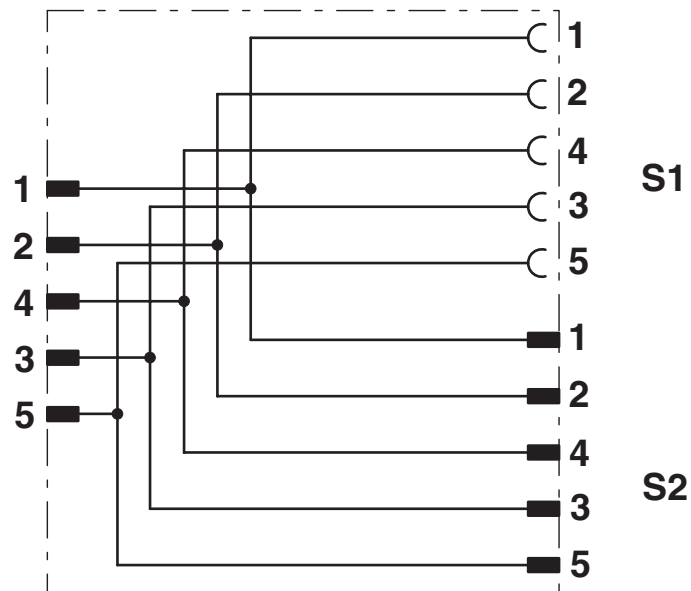


Schematic diagram



Pin assignment M12 socket, 5-pos., A-coded, socket side view

Circuit diagram



Contact assignment of the M12 Y distributor

# SAC-5PY-M/F-M VP SH - Y distributor



1438079

<https://www.phoenixcontact.com/us/products/1438079>

## Classifications

### ECLASS

|             |          |
|-------------|----------|
| ECLASS-13.0 | 27440106 |
| ECLASS-15.0 | 27440106 |

### ETIM

|           |          |
|-----------|----------|
| ETIM 10.0 | EC002925 |
|-----------|----------|

### UNSPSC

|             |          |
|-------------|----------|
| UNSPSC 21.0 | 31251500 |
|-------------|----------|

# SAC-5PY-M/F-M VP SH - Y distributor



1438079

<https://www.phoenixcontact.com/us/products/1438079>

## Environmental product compliance

### EU RoHS

|   |                    |
|---|--------------------|
| Fulfills EU RoHS substance requirements | Yes, No exemptions |
|---|--------------------|

### China RoHS

|  |  |
|--|--|
| Environment friendly use period (EFUP) | EFUP-E                                   |
|  | No hazardous substances above the limits |

### EU REACH SVHC

|                                     |                            |
|-------------------------------------|----------------------------|
| REACH candidate substance (CAS No.) | No substance above 0.1 wt% |
|-------------------------------------|----------------------------|

### EF3.1 Climate Change

|         |              |
|---------|--------------|
| CO2e kg | 1.73 kg CO2e |
|---------|--------------|

Phoenix Contact 2026 © - all rights reserved  
<https://www.phoenixcontact.com>

Phoenix Contact USA  
586 Fulling Mill Road  
Middletown, PA 17057, United States  
(+717) 944-1300  
[info@phoenixcon.com](mailto:info@phoenixcon.com)