

SACCBP-FS-4CON-PG9/2,0-990SCO - Bus system flush-type socket



1437863

<https://www.phoenixcontact.com/us/products/1437863>

Please be informed that the data shown in this PDF document is generated from our online catalog. Please find the complete data in the user documentation. Our general terms of use for downloads are valid.



Bus system flush-type socket, CC-Link, 4-pos., M12, SPEEDCON, shielded, rear/screw mounting with Pg9 thread, with 2.0 m bus cable

Your advantages

- Preassembled with cables in various standard lengths for immediate use
- Customer-specific assemblies and cable lengths can be supplied
- Sealed on the cable side for optimum tightness of seal
- Cable designs for all common networks and fieldbuses
- For high transmission safety: shield connection to the housing with optional EMC nut

Commercial data

Item number	1437863
Packing unit	1 pc
Note	Made to order (non-returnable)
Sales key	AB25
Product key	ABQYAA
GTIN	4046356458603
Weight per piece (including packing)	177.9 g
Weight per piece (excluding packing)	177.9 g
Customs tariff number	85444290
Country of origin	DE

SACCBP-FS-4CON-PG9/2,0-990SCO - Bus system flush-type socket



1437863

<https://www.phoenixcontact.com/us/products/1437863>

Technical data

Notes

Notes on operation	The electrical and mechanical data specified assume that the connector pair is correctly locked and mounted. If the connector is unlocked and if there is a danger of contamination, the connector must be sealed using a protective cap > IP54. Influences arising from litz wires, cables or PCB assembly must also be taken into consideration.
--------------------	--

Safety note

Safety note	WARNING: The connectors may not be plugged in or disconnected under load. Ignoring the warning or improper use may damage persons and/or property.
	<ul style="list-style-type: none">• WARNING: Commission properly functioning products only. The products must be regularly inspected for damage. Decommission defective products immediately. Replace damaged products. Repairs are not possible.
	<ul style="list-style-type: none">• WARNING: Only electrically qualified personnel may install and operate the product. They must observe the following safety notes. The qualified personnel must be familiar with the basics of electrical engineering. They must be able to recognize and prevent danger. The relevant symbol on the packaging indicates that only personnel familiar with electrical engineering are allowed to install and operate the product.
	<ul style="list-style-type: none">• The products are suitable for applications in plant, controller, and electrical device engineering.
	<ul style="list-style-type: none">• When operating the connectors in outdoor applications, they must be separately protected against environmental influences.
	<ul style="list-style-type: none">• Assembled products may not be manipulated or improperly opened.
	<ul style="list-style-type: none">• Only use mating connectors that are specified in the technical data of the standards listed (e.g. the ones listed in the product accessories online at phoenixcontact.com/products).
	<ul style="list-style-type: none">• When using the product in direct connection with third-party manufacturers, the user is responsible.
	<ul style="list-style-type: none">• For operating voltages > 50 V AC, conductive connector housings must be grounded
	<ul style="list-style-type: none">• Ensure that when laying the cable, the tensile load on the connectors does not exceed the upper limit specified in the standards.
	<ul style="list-style-type: none">• Observe the corresponding technical data. You will find information:<ul style="list-style-type: none">o On the producto On the packing labelo In the supplied documentationo Online at phoenixcontact.com/products under the product
	<ul style="list-style-type: none">• Only use tools recommended by Phoenix Contact
	<ul style="list-style-type: none">• Use a protective cap to protect connectors that are not in use. The suitable accessories are available online in the accessory section of the product at phoenixcontact.com/products

SACCBP-FS-4CON-PG9/2,0-990SCO - Bus system flush-type socket



1437863

<https://www.phoenixcontact.com/us/products/1437863>

- Ensure that the protective or functional ground has been properly connected.
- VDE 0100/1.97 § 411.1.3.2 and DIN EN 60 204/11.98 § 14.1.3 are applicable when combining several circuits in a cable and/or connector
- The connector warms up in normal operation. Depending on the ambient conditions, the surface of the connector can continue to warm up. In this case, the user is responsible for posting warnings (e.g. DIN EN ISO 13732-1:2008-12).

Mounting

Tightening torque	2 Nm ... 3 Nm (Installation-side)
-------------------	-----------------------------------

Product properties

Product type	Circular connectors (device side)
Number of positions	4
Shielded	yes
Coding	A

Insulation characteristics

Overvoltage category	II
Degree of pollution	3

Material specifications

Flammability rating according to UL 94	V0
Seal material	FKM
Contact material	CuZn
Contact surface material	Ni/Au
Contact carrier material	PA 6.6
Outer sheath, material	PVC

Electrical properties

Rated surge voltage	2.5 kV
Contact resistance	≤ 3 mΩ
Insulation resistance	≥ 10 MΩ
Nominal voltage U_N	250 V AC
Nominal current I_N	4 A (Plug/socket in accordance with IEC 61076-2-101, cable technical data is to be observed)
Transmission medium	Copper

Mechanical properties

Mechanical data

Insertion/withdrawal cycles	> 100
-----------------------------	-------

Cable/line

SACCBP-FS-4CON-PG9/2,0-990SCO - Bus system flush-type socket



1437863

<https://www.phoenixcontact.com/us/products/1437863>

Cable length	2 m
CC-Link [990]	
Shielded	yes
Cable weight	78.8 kg/km
Cable type	CC-Link
Cable type (abbreviation)	990
Signal type/category	CC link, 10 Mbps
Cable structure	3xAWG20/7 + 1xAWG22/19 (filler litz wire)
External cable diameter	7.70 mm
Outer sheath, material	PVC
External sheath, color	red
Conductor material	Bare Cu litz wires
Conductor structure signal line	7x 0.28 mm
AWG signal line	20
Conductor cross-section	0.5 mm ²
Material wire insulation	foamed PE, with high density
Thickness, insulation	0.89 mm (Outer cable sheath)
Single wire, color	white, yellow, blue
Shielding	Plastic-coated aluminum foil, tinned copper braided shield
Optical shield covering	78 %
Nominal voltage, cable	300 V
Cable resistance	31.2 Ω/km
Wave impedance	110 Ω
Working capacitance	61 pF
Smallest bending radius, fixed installation	77 mm
Ambient temperature (operation)	-5 °C ... 60 °C (Cable, flexible installation) -30 °C ... 60 °C (cable, fixed installation)

Environmental and real-life conditions

Ambient conditions

Degree of protection	IP67 (When plugged in)
	IP65 (When plugged in)
	IP65/IP67
Ambient temperature (operation) (male connector/female connector)	-25 °C ... 85 °C (Plug / socket)
	-40 °C ... 85 °C (without mechanical actuation)

SACCBP-FS-4CON-PG9/2,0-990SCO - Bus system flush-type socket

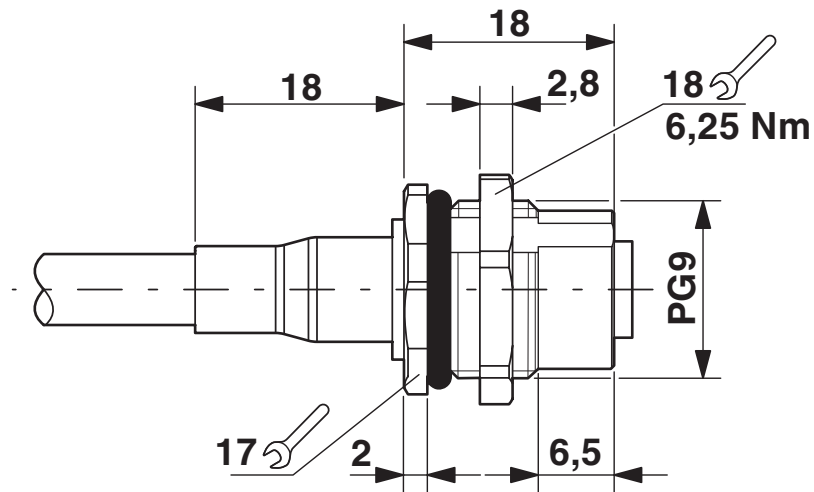


1437863

<https://www.phoenixcontact.com/us/products/1437863>

Drawings

Dimensional drawing



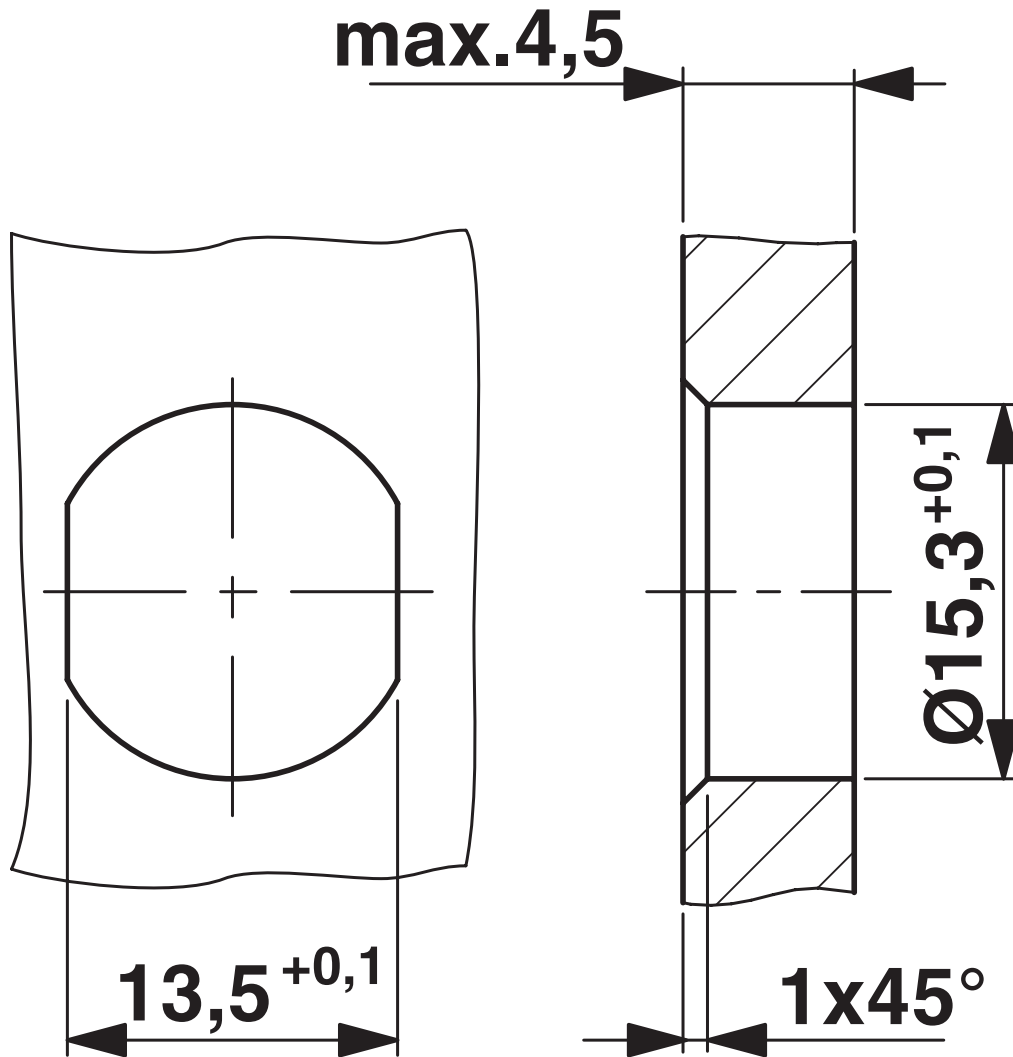
M12 panel feed-through

SACCBP-FS-4CON-PG9/2,0-990SCO - Bus system
flush-type socket

1437863

<https://www.phoenixcontact.com/us/products/1437863>

Dimensional drawing



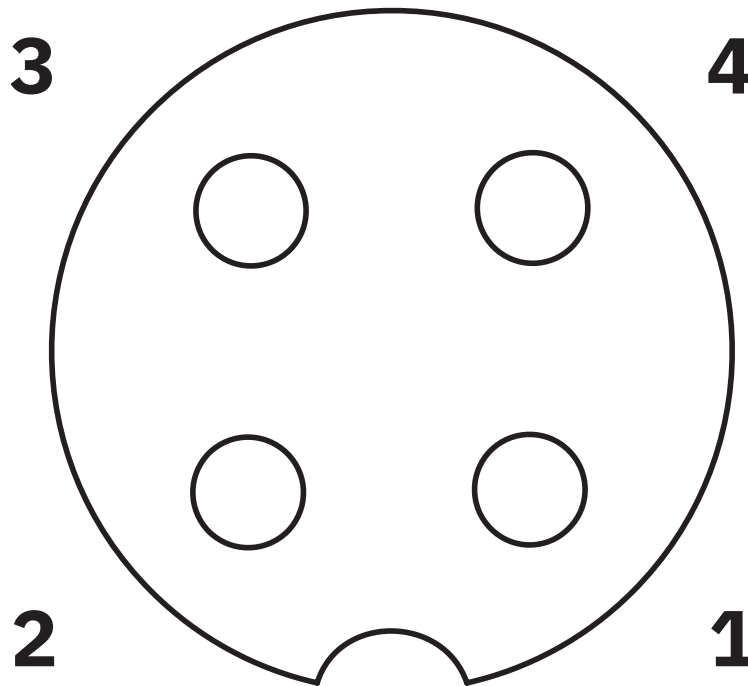
Housing cutout for Pg9 fastening thread, mounting panel with feed-through hole (alternatively with surface as protection against rotation)

SACCBP-FS-4CON-PG9/2,0-990SCO - Bus system flush-type socket

1437863

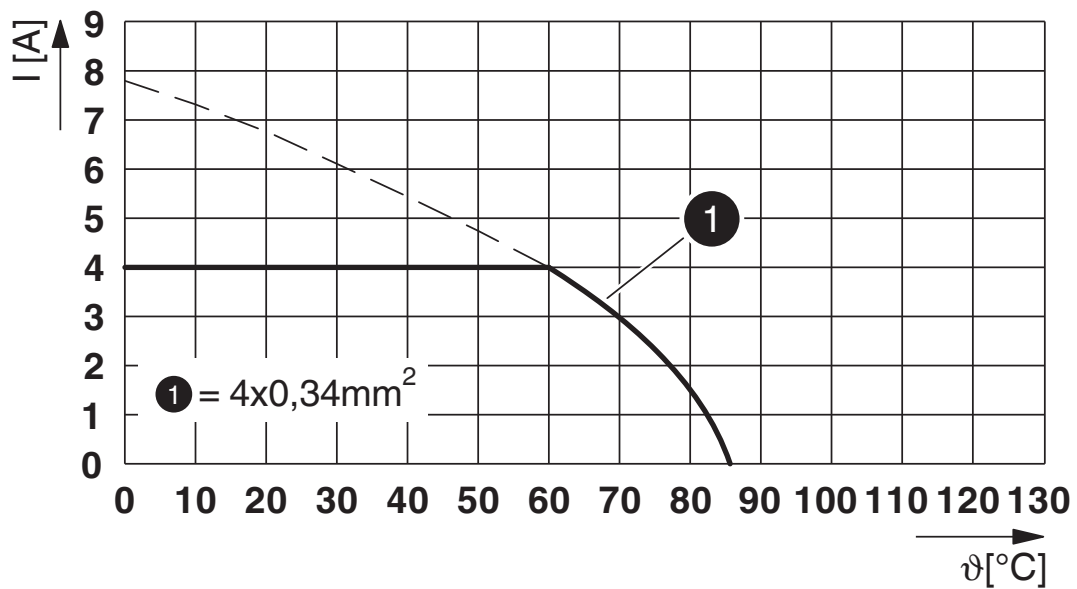
<https://www.phoenixcontact.com/us/products/1437863>

Schematic diagram



Pin assignment M12 socket, 4-pos., A-coded, view female side

Diagram



I = current strength, T = ambient temperature

SACCBP-FS-4CON-PG9/2,0-990SCO - Bus system flush-type socket



1437863

<https://www.phoenixcontact.com/us/products/1437863>

Classifications

UNSPSC

UNSPSC 21.0	39121413
-------------	----------

Phoenix Contact 2026 © - all rights reserved

<https://www.phoenixcontact.com>

Phoenix Contact USA
586 Fulling Mill Road
Middletown, PA 17057, United States
(+717) 944-1300
info@phoenixcon.com