

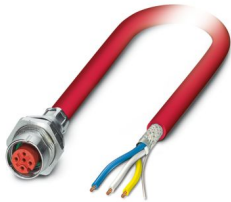
SACCBP-FS-4CON-PG9/1,0-990SCO - Bus system flush-type socket



1437850

<https://www.phoenixcontact.com/us/products/1437850>

Please be informed that the data shown in this PDF document is generated from our online catalog. Please find the complete data in the user documentation. Our general terms of use for downloads are valid.



Bus system flush-type socket, CC-Link, 4-pos., M12, SPEEDCON, shielded, rear/screw mounting with Pg9 thread, with 1.0 m bus cable

Your advantages

- Preassembled with cables in various standard lengths for immediate use
- Customer-specific assemblies and cable lengths can be supplied
- Sealed on the cable side for optimum tightness of seal
- Cable designs for all common networks and fieldbuses
- For high transmission safety: shield connection to the housing with optional EMC nut

Commercial data

| | |
|--------------------------------------|--------------------------------|
| Item number | 1437850 |
| Packing unit | 1 pc |
| Note | Made to order (non-returnable) |
| Sales key | AB25 |
| Product key | ABQYAA |
| GTIN | 4046356458597 |
| Weight per piece (including packing) | 95.9 g |
| Weight per piece (excluding packing) | 95.9 g |
| Customs tariff number | 85444290 |
| Country of origin | DE |

SACCBP-FS-4CON-PG9/1,0-990SCO - Bus system flush-type socket



1437850

<https://www.phoenixcontact.com/us/products/1437850>

Technical data

Notes

| | |
|--------------------|--|
| Notes on operation | The electrical and mechanical data specified assume that the connector pair is correctly locked and mounted. If the connector is unlocked and if there is a danger of contamination, the connector must be sealed using a protective cap > IP54. Influences arising from litz wires, cables or PCB assembly must also be taken into consideration. |
|--------------------|--|

Safety note

| | |
|-------------|--|
| Safety note | WARNING: The connectors may not be plugged in or disconnected under load. Ignoring the warning or improper use may damage persons and/or property. |
| | • WARNING: Commission properly functioning products only. The products must be regularly inspected for damage. Decommission defective products immediately. Replace damaged products. Repairs are not possible. |
| | • WARNING: Only electrically qualified personnel may install and operate the product. They must observe the following safety notes. The qualified personnel must be familiar with the basics of electrical engineering. They must be able to recognize and prevent danger. The relevant symbol on the packaging indicates that only personnel familiar with electrical engineering are allowed to install and operate the product. |
| | • The products are suitable for applications in plant, controller, and electrical device engineering. |
| | • When operating the connectors in outdoor applications, they must be separately protected against environmental influences. |
| | • Assembled products may not be manipulated or improperly opened. |
| | • Only use mating connectors that are specified in the technical data of the standards listed (e.g. the ones listed in the product accessories online at phoenixcontact.com/products). |
| | • When using the product in direct connection with third-party manufacturers, the user is responsible. |
| | • For operating voltages > 50 V AC, conductive connector housings must be grounded |
| | • Ensure that when laying the cable, the tensile load on the connectors does not exceed the upper limit specified in the standards. |
| | • Observe the corresponding technical data. You will find information: <ul style="list-style-type: none">o On the producto On the packing labelo In the supplied documentationo Online at phoenixcontact.com/products under the product |
| | • Only use tools recommended by Phoenix Contact |
| | • Use a protective cap to protect connectors that are not in use. The suitable accessories are available online in the accessory section of the product at phoenixcontact.com/products |

SACCBP-FS-4CON-PG9/1,0-990SCO - Bus system flush-type socket



1437850

<https://www.phoenixcontact.com/us/products/1437850>

| | |
|--|---|
| | <ul style="list-style-type: none">• Ensure that the protective or functional ground has been properly connected.• VDE 0100/1.97 § 411.1.3.2 and DIN EN 60 204/11.98 § 14.1.3 are applicable when combining several circuits in a cable and/or connector• The connector warms up in normal operation. Depending on the ambient conditions, the surface of the connector can continue to warm up. In this case, the user is responsible for posting warnings (e.g. DIN EN ISO 13732-1:2008-12). |
|--|---|

Mounting

| | |
|-------------------|-----------------------------------|
| Tightening torque | 2 Nm ... 3 Nm (Installation-side) |
|-------------------|-----------------------------------|

Product properties

| | |
|---------------------|-----------------------------------|
| Product type | Circular connectors (device side) |
| Number of positions | 4 |
| Shielded | yes |
| Coding | A |

Insulation characteristics

| | |
|----------------------|----|
| Overvoltage category | II |
| Degree of pollution | 3 |

Material specifications

| | |
|--|--------|
| Flammability rating according to UL 94 | V0 |
| Seal material | FKM |
| Contact material | CuZn |
| Contact surface material | Ni/Au |
| Contact carrier material | PA 6.6 |
| Outer sheath, material | PVC |

Electrical properties

| | |
|-----------------------|--|
| Rated surge voltage | 2.5 kV |
| Contact resistance | ≤ 3 mΩ |
| Insulation resistance | ≥ 10 MΩ |
| Nominal voltage U_N | 250 V AC |
| Nominal current I_N | 4 A (Plug/socket in accordance with IEC 61076-2-101, cable technical data is to be observed) |
| Transmission medium | Copper |

Mechanical properties

Mechanical data

| | |
|-----------------------------|-------|
| Insertion/withdrawal cycles | > 100 |
|-----------------------------|-------|

Cable/line

SACCBP-FS-4CON-PG9/1,0-990SCO - Bus system flush-type socket



1437850

<https://www.phoenixcontact.com/us/products/1437850>

| | |
|---|--|
| Cable length | 1 m |
| CC-Link [990] | |
| Shielded | yes |
| Cable weight | 78.8 kg/km |
| Cable type | CC-Link |
| Cable type (abbreviation) | 990 |
| Signal type/category | CC link, 10 Mbps |
| Cable structure | 3xAWG20/7 + 1xAWG22/19 (filler litz wire) |
| External cable diameter | 7.70 mm |
| Outer sheath, material | PVC |
| External sheath, color | red |
| Conductor material | Bare Cu litz wires |
| Conductor structure signal line | 7x 0.28 mm |
| AWG signal line | 20 |
| Conductor cross-section | 0.5 mm ² |
| Material wire insulation | foamed PE, with high density |
| Thickness, insulation | 0.89 mm (Outer cable sheath) |
| Single wire, color | white, yellow, blue |
| Shielding | Plastic-coated aluminum foil, tinned copper braided shield |
| Optical shield covering | 78 % |
| Nominal voltage, cable | 300 V |
| Cable resistance | 31.2 Ω/km |
| Wave impedance | 110 Ω |
| Working capacitance | 61 pF |
| Smallest bending radius, fixed installation | 77 mm |
| Ambient temperature (operation) | -5 °C ... 60 °C (Cable, flexible installation) -30 °C ... 60 °C (cable, fixed installation) |

Environmental and real-life conditions

Ambient conditions

| | |
|---|---|
| Degree of protection | IP67 (When plugged in) |
| | IP65 (When plugged in) |
| | IP65/IP67 |
| Ambient temperature (operation) (male connector/female connector) | -25 °C ... 85 °C (Plug / socket) |
| | -40 °C ... 85 °C (without mechanical actuation) |

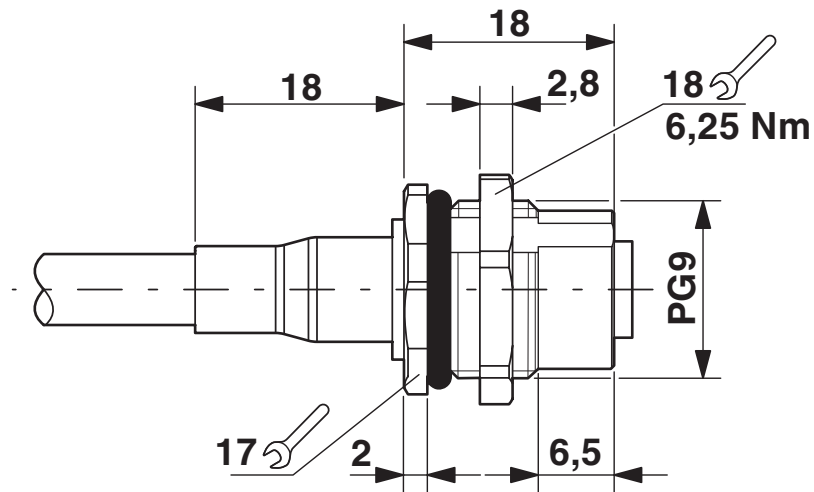
SACCBP-FS-4CON-PG9/1,0-990SCO - Bus system flush-type socket

1437850

<https://www.phoenixcontact.com/us/products/1437850>

Drawings

Dimensional drawing



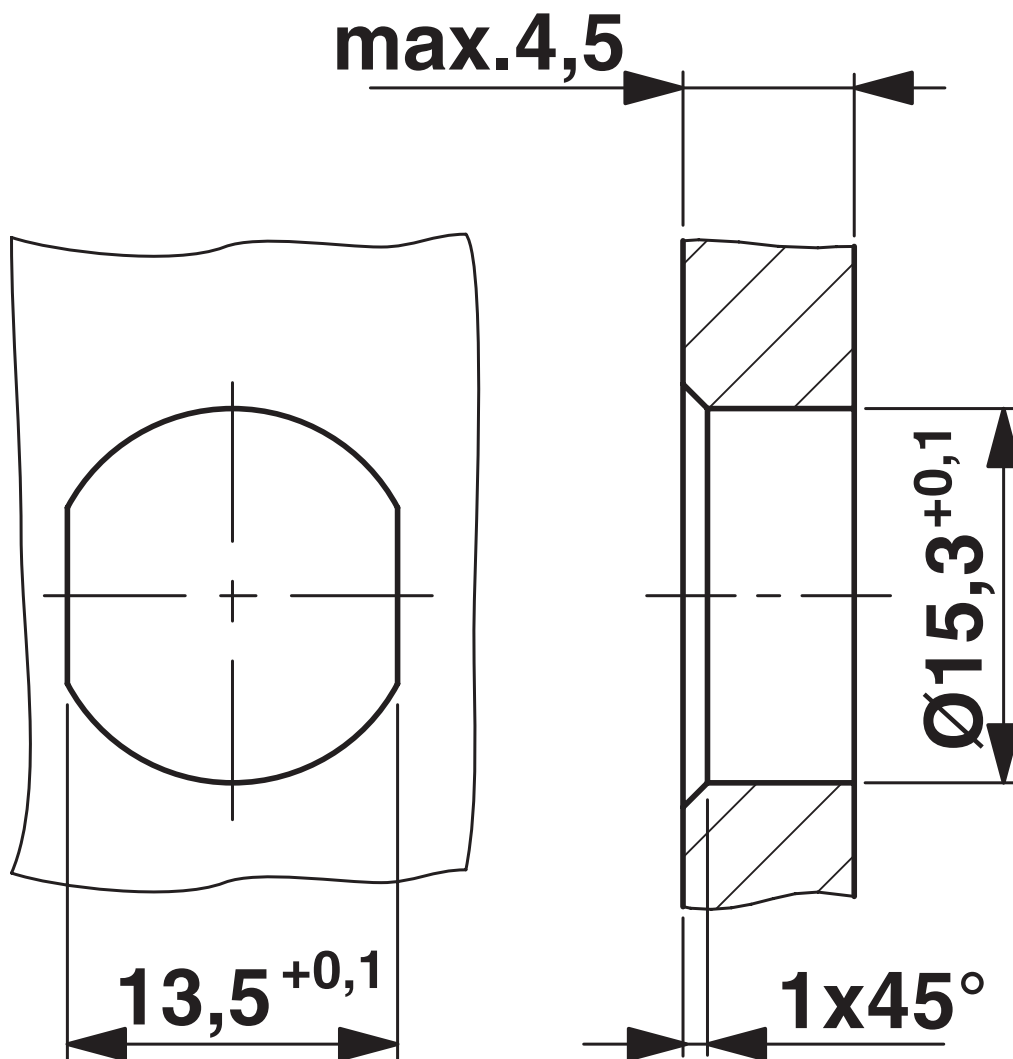
M12 panel feed-through

SACCBP-FS-4CON-PG9/1,0-990SCO - Bus system
flush-type socket

1437850

<https://www.phoenixcontact.com/us/products/1437850>

Dimensional drawing



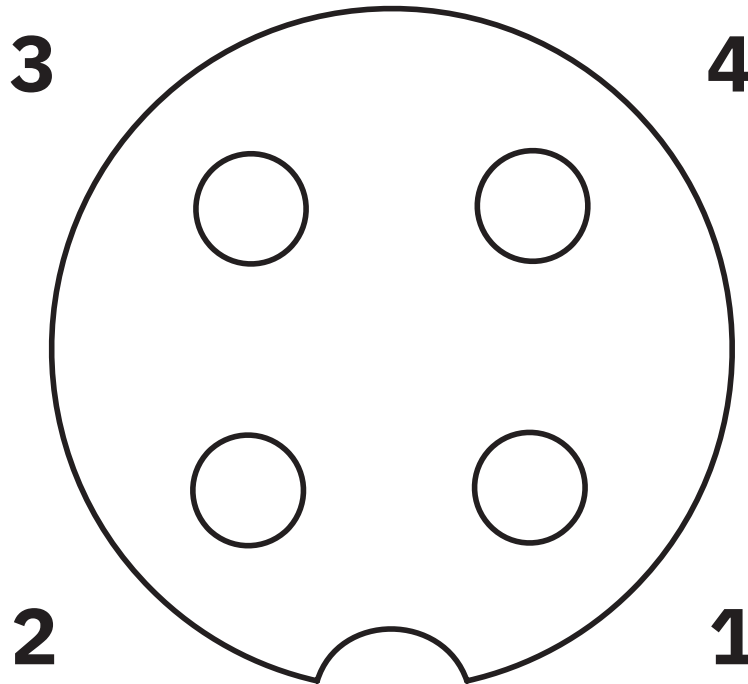
Housing cutout for Pg9 fastening thread, mounting panel with feed-through hole (alternatively with surface as protection against rotation)

SACCBP-FS-4CON-PG9/1,0-990SCO - Bus system flush-type socket

1437850

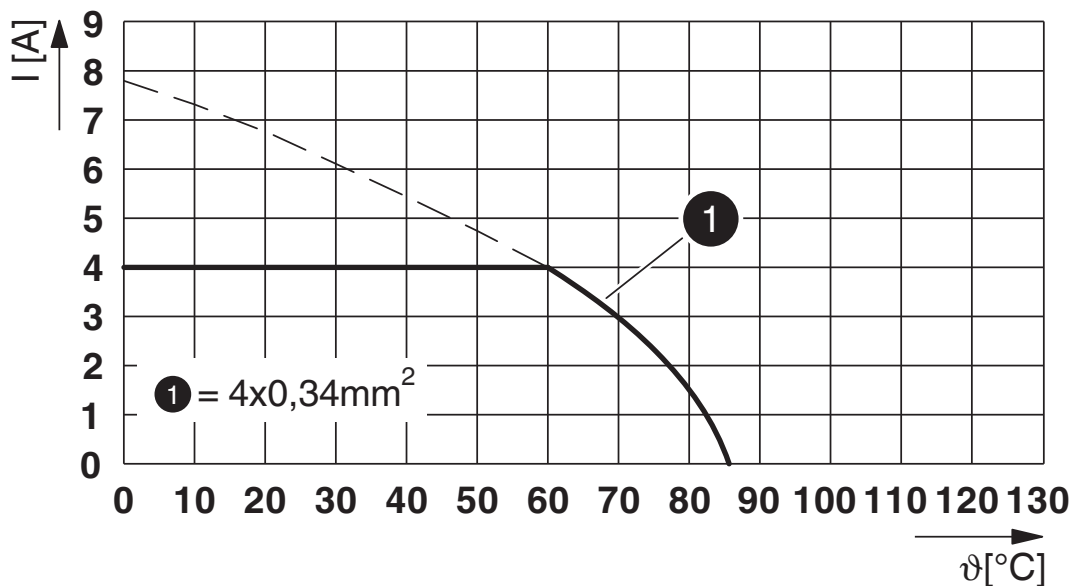
<https://www.phoenixcontact.com/us/products/1437850>

Schematic diagram



Pin assignment M12 socket, 4-pos., A-coded, view female side

Diagram



I = current strength, T = ambient temperature

SACCBP-FS-4CON-PG9/1,0-990SCO - Bus system flush-type socket



1437850

<https://www.phoenixcontact.com/us/products/1437850>

Classifications

UNSPSC

UNSPSC 21.0

39121413

Phoenix Contact 2026 © - all rights reserved

<https://www.phoenixcontact.com>

Phoenix Contact USA
586 Fulling Mill Road
Middletown, PA 17057, United States
(+717) 944-1300
info@phoenixcon.com