

# SAC-17P-M23MS/5,0-35T/FS SHSCO - Sensor/actuator cable



1437397

<https://www.phoenixcontact.com/us/products/1437397>

Please be informed that the data shown in this PDF document is generated from our online catalog. Please find the complete data in the user documentation. Our general terms of use for downloads are valid.



Sensor/actuator cable, 17-position, PUR/PVC, black RAL 9005, shielded, Plug straight M23, coding: A, on Socket straight M12 SPEEDCON, coding: A, cable length: 5 m

## Your advantages

- Easy and safe: 100 % electrically tested plug-in components
- Save time, thanks to installation with SPEEDCON fast locking system
- Save space – with high-pos. connectors
- Reliable signal transmission – 360° shielding in environments with electromagnetic interference

## Commercial data

Item number	1437397
Packing unit	1 pc
Note	Made to order (non-returnable)
Sales key	BF03
Product key	AF1CNA
GTIN	4046356456302
Weight per piece (including packing)	636.2 g
Weight per piece (excluding packing)	636.2 g
Customs tariff number	85444290
Country of origin	DE

# SAC-17P-M23MS/5,0-35T/FS SHSCO - Sensor/actuator cable



1437397

<https://www.phoenixcontact.com/us/products/1437397>

## Technical data

### Product properties

Product type	Sensor/actuator cable
Application	Standard
Number of positions	17
No. of cable outlets	1
Shielded	yes
Coding	A

### Insulation characteristics

Overvoltage category	II
Degree of pollution	3

### Material specifications

Material of grip body	PUR
Contact material	CuZn
Contact surface material	Ni/Au
Contact carrier material	PBT/PA 6.6
Material for screw connection	Brass, nickel-plated

### Electrical properties

Insulation resistance	$\geq 100 \text{ M}\Omega$
Nominal voltage $U_N$	30 V AC
	30 V DC
Nominal current $I_N$	1.5 A

### Signaling

Status display	no
Status display present	no

### Connection data

#### Conductor connection

Tightening torque	0.4 Nm (M12 connector)
-------------------	------------------------

### Connector

#### Connection 1

Type	Plug straight M23
Number of positions	17
Coding type	A

#### Connection 2

Type	Socket straight M12 SPEEDCON
Number of positions	17

# SAC-17P-M23MS/5,0-35T/FS SHSCO - Sensor/actuator cable

1437397


<https://www.phoenixcontact.com/us/products/1437397>

Locking type	SPEEDCON
Coding type	A

## Cable/line

Cable length	5 m
--------------	-----

Black PUR/PVC twisted pair [35T]

Dimensional drawing	
Cable weight	105 kg/km
UL AWM Style	20233 / 1061 (80°C/300 V)
Number of positions	17
Shielded	yes
Cable type	Black PUR/PVC twisted pair [35T]
Conductor structure signal line	18x 0.10 mm
AWG signal line	26
Conductor cross-section	17x 0.14 mm <sup>2</sup> (Signal line)
Wire diameter incl. insulation	1 mm ±0.05 mm (Signal line)
External cable diameter	9.20 mm ±0.2 mm
Outer sheath, material	PUR
External sheath, color	black RAL 9005
Conductor material	Tin-plated Cu litz wires
Material wire insulation	PVC
Single wire, color	white-brown, green-yellow, gray-pink, blue-red, black-violet, gray/pink-red/blue, white/green-brown/green, white/yellow-yellow/brown-white/gray
Overall twist	7 pairs and 1 three-way unit, intertwisted
Optical shield covering	85 %
Max. conductor resistance	142 Ω/km (at 20 °C)
Insulation resistance	≥ 10 MΩ*km (at 20 °C)
Nominal voltage, cable	42 V AC
Test voltage	1500 V AC
Minimum bending radius, fixed installation	5 x D
Minimum bending radius, flexible installation	10 x D
Smallest bending radius, fixed installation	46 mm
Smallest bending radius, movable installation	92 mm
Dynamic load capacity (bending)	Max. bending cycles: 4000000, Bending radius: 92 mm, Traversing path: 10 m, Traversing rate: 3 m/s, Acceleration: 10 m/s <sup>2</sup>

# SAC-17P-M23MS/5,0-35T/FS SHSCO - Sensor/actuator cable



1437397

<https://www.phoenixcontact.com/us/products/1437397>

Flame resistance	According to DIN EN 60332-1-2
	According to VW-1
Resistance to oil	in accordance with DIN EN 60811-2-1
Other resistance	hydrolysis and microbe resistant (in accordance with EN 50396)
Special properties	Flexible cable conduit capable
Ambient temperature (operation)	-30 °C ... 80 °C (cable, fixed installation)
	-5 °C ... 80 °C (Cable, flexible installation)

## Environmental and real-life conditions

### Ambient conditions

Degree of protection	IP65
	IP67
Ambient temperature (operation) (male connector/female connector)	-25 °C ... 90 °C (Plug / socket)
	-40 °C ... 125 °C (Plug / socket)
Ambient temperature (operation) (Cable, fixed installation)	-40 °C ... 80 °C (cable, fixed installation)
Ambient temperature (operation) (Cable, flexible installation)	-5 °C ... 80 °C (Cable, flexible installation)

## Standards and regulations

Standard designation	M12 connector
Standards/specifications	IEC 61076-2-101

# SAC-17P-M23MS/5,0-35T/FS SHSCO - Sensor/actuator cable

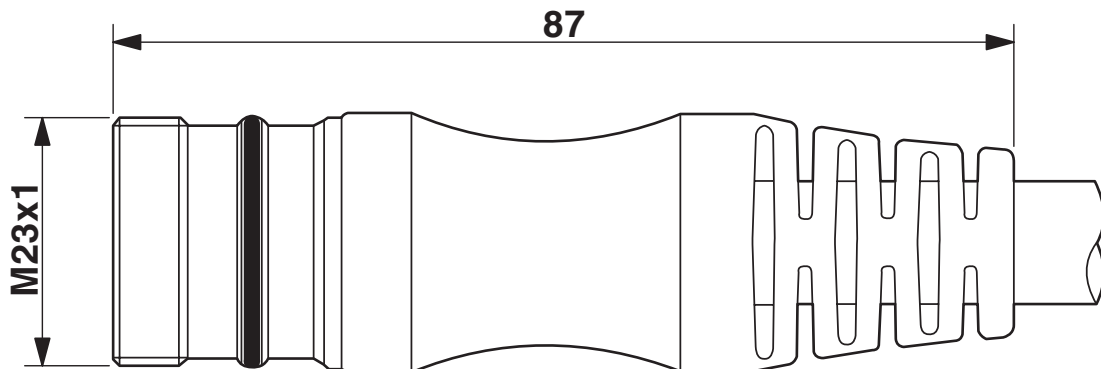


1437397

<https://www.phoenixcontact.com/us/products/1437397>

## Drawings

Dimensional drawing



M23 plug, straight, shielded

Dimensional drawing



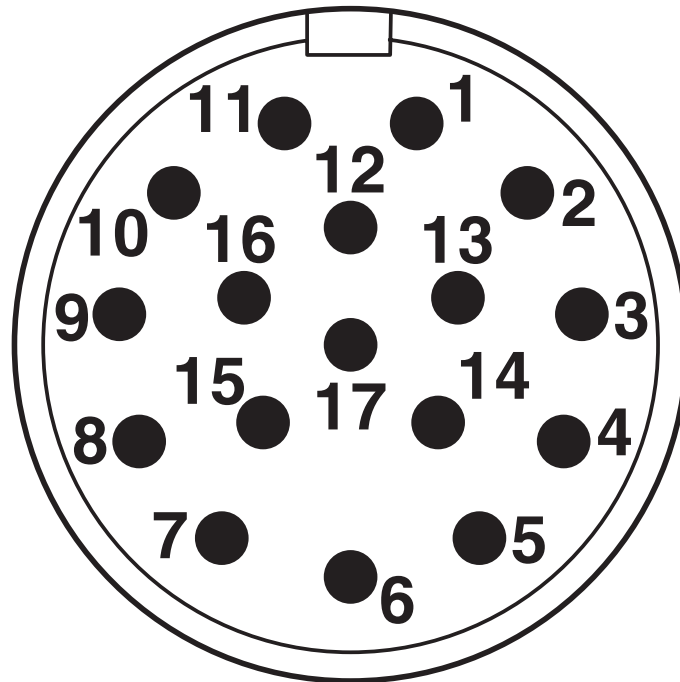
Socket M12-SPEEDCON, straight, shielded

# SAC-17P-M23MS/5,0-35T/FS SHSCO - Sensor/actuator cable

1437397

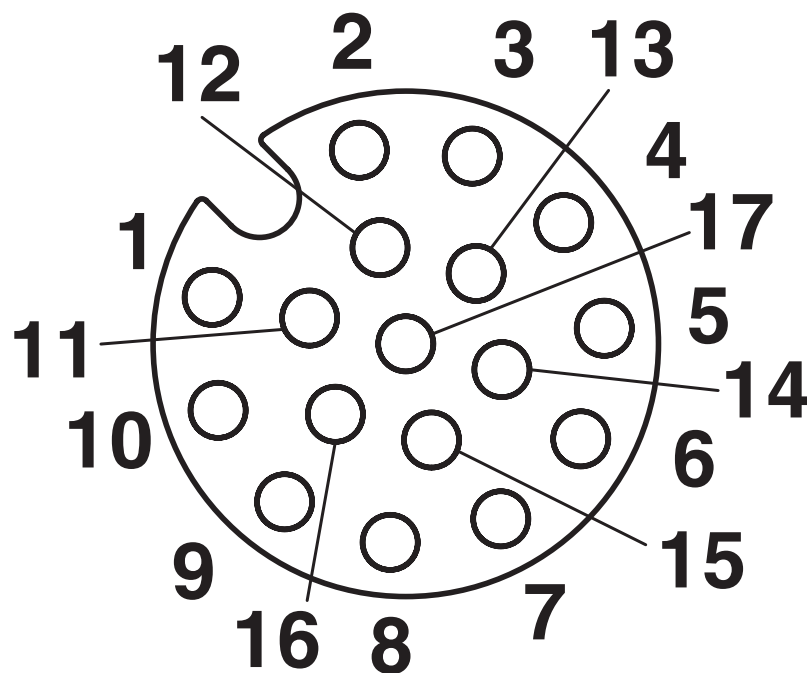
<https://www.phoenixcontact.com/us/products/1437397>

Schematic diagram



Plug pin assignment M23 plug, 17-pos., pin side view

Schematic diagram



Pin assignment M12, 17-pos., socket side view

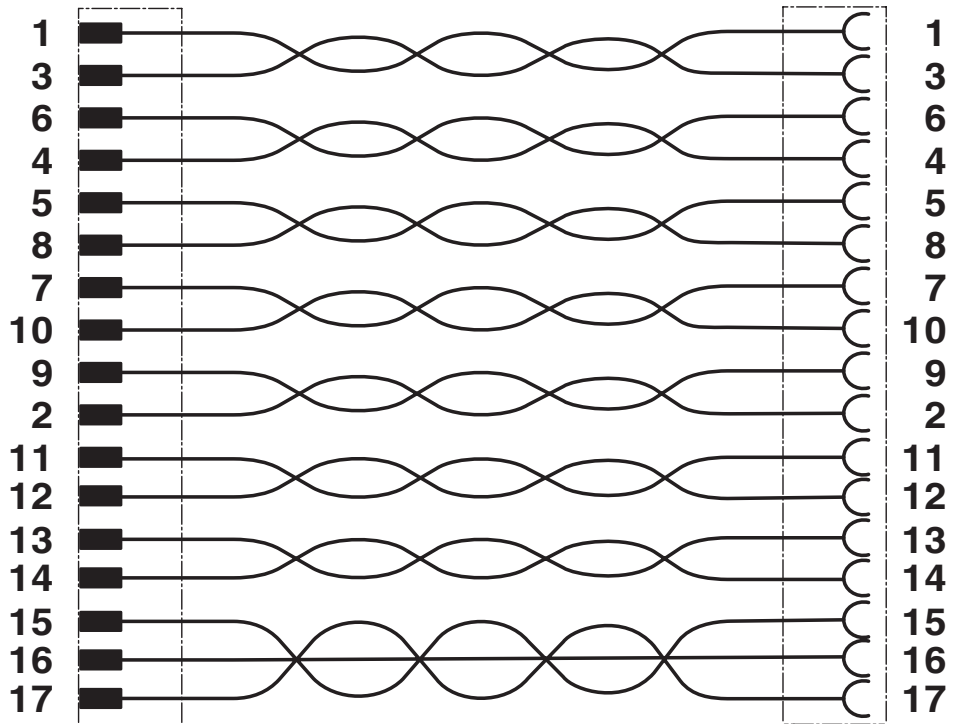
# SAC-17P-M23MS/5,0-35T/FS SHSCO - Sensor/actuator cable



1437397

<https://www.phoenixcontact.com/us/products/1437397>

Circuit diagram



Contact assignment of the M23 plug and the M12 socket

# SAC-17P-M23MS/5,0-35T/FS SHSCO - Sensor/actuator cable



1437397

<https://www.phoenixcontact.com/us/products/1437397>

## Classifications

### ECLASS

ECLASS-13.0	27060311
ECLASS-15.0	27060311

Phoenix Contact 2026 © - all rights reserved

<https://www.phoenixcontact.com>

Phoenix Contact USA  
586 Fulling Mill Road  
Middletown, PA 17057, United States  
(+717) 944-1300  
[info@phoenixcon.com](mailto:info@phoenixcon.com)