

Q 1,5/4A50/24-M20KU-ESA-ASI BK - Panel feed-through



1437274

<https://www.phoenixcontact.com/us/products/1437274>

Please be informed that the data shown in this PDF document is generated from our online catalog. Please find the complete data in the user documentation. Our general terms of use for downloads are valid.



Panel feed-through with QUICKON fast connection technology, for accommodating one or two AS-i flat-ribbon conductors, on the rear side with four 0.5 m long individual wires 1.5 mm²

Your advantages

- Robust throughout: housing with IP65/IP67 protection for a wide range of applications

Commercial data

Item number	1437274
Packing unit	1 pc
Minimum order quantity	1 pc
Sales key	BF50
Product key	AF6ABA
GTIN	4046356456838
Weight per piece (including packing)	68.5 g
Weight per piece (excluding packing)	67.6 g
Customs tariff number	85444290
Country of origin	PL

Q 1,5/4A50/24-M20KU-ESA-ASI BK - Panel feed-through



1437274

<https://www.phoenixcontact.com/us/products/1437274>

Technical data

Product properties

Product type	Panel feed-through
Number of positions	4
Number of connections	4
Number of connections per position	1
Coding	no

Insulation characteristics

Overvoltage category	III
Degree of pollution	3

Connection data

Connection technology

Connection method On the device side	Single wires (50 cm long; 1.5 mm ²)
Connection method On the field side	IDC connection
Frequency of connections between conductors of the same cross section	max. 10 (For the same conductor cross-section)

Conductor connection

Conductor cross-section flexibel	0.75 mm ² ... 1.5 mm ²
Conductor cross-section solid	0.75 mm ² ... 1.5 mm ²
Connection cross section AWG	18 ... 16
Tightening torque Union nut	3 Nm
Tightening torque Contact carrier	4.5 Nm
Tightening torque Locking nut	4.5 Nm
Wrench size Union nut	19 mm
Wrench size Contact carrier	24 mm

Connection assignment

Contact Color (signal designation) Contact (optional)	1 BN
	2 WH
	3 BU
	4 BK

Dimensions

Dimensional drawing	
Width	24 mm
Height	24 mm
Length	55.9 mm

Q 1,5/4A50/24-M20KU-ESA-ASI BK - Panel feed-through



1437274

<https://www.phoenixcontact.com/us/products/1437274>

Diameter	24 mm
----------	-------

Electrical properties

Rated surge voltage (II/2)	6 kV
Rated surge voltage (III/2)	6 kV
Rated surge voltage (III/3)	6 kV
Rated current	15 A
rated voltage (II/2)	1000 V
rated voltage (III/2)	1000 V
Rated voltage (III/3)	500 V (with insulating sleeve PT/FS 4,8. Without insulating sleeve 250 V AC.)
Nominal voltage U_N	500 V AC
	500 V DC
Nominal current I_N	15 A

Material specifications

Color	black (RAL 9005)
Material Housing	PA
Flammability rating according to UL 94	V0
Material wire insulation	PVC/PE/TPE/rubber
Contact material	Copper alloy
Contact surface material	Pre-nickel plated and tin-plated
Contact carrier material	PA

Cable/line

Cable length	0.5 m
Structure of individual litz in acc. with VDE 0295 / smallest wire diameter	VDE 0295 class 1 to 6/min. 0.15 mm
Wire diameter including insulation	1.8 mm ... 3 mm
Cable cross section	1.5 mm ²
Material wire insulation	PVC/PE/TPE/rubber

Mounting

Mounting type	Front mounting M20
Assembly note	If the conductor is reconnected, it must be cut off above the last contact point. QUICKON components may only be operated when under no load.

Environmental and real-life conditions

Ambient conditions

Degree of protection	IP65
	IP67
Impact strength	IK06
Ambient temperature (operation)	-25 °C ... 80 °C
Temperature when conductor connected	-5 °C ... 50 °C

Q 1,5/4A50/24-M20KU-ESA-ASI BK - Panel feed-through

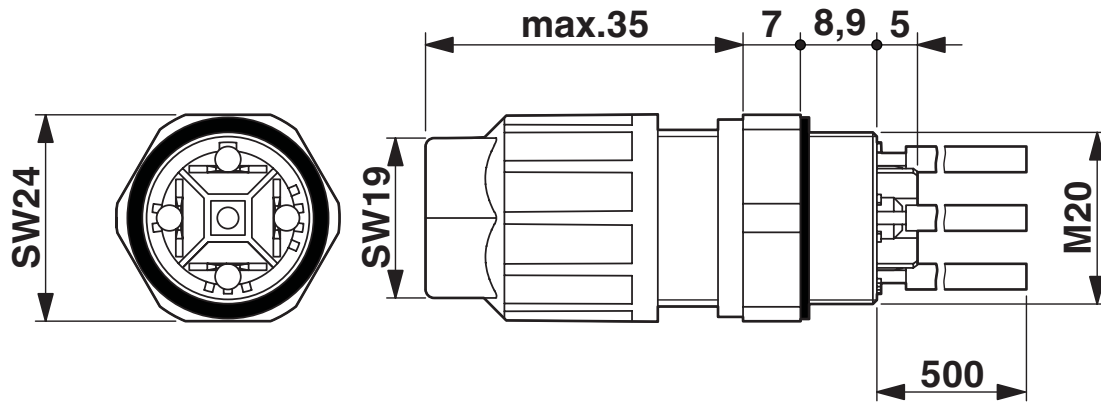


1437274

<https://www.phoenixcontact.com/us/products/1437274>

Drawings

Dimensional drawing



Q 1,5/4A50/24-M20KU-ESA-ASI BK - Panel feed-through



1437274

<https://www.phoenixcontact.com/us/products/1437274>

Classifications

ECLASS

ECLASS-13.0	27440602
ECLASS-15.0	27440602

ETIM

ETIM 9.0	EC002566
----------	----------

UNSPSC

UNSPSC 21.0	39121500
-------------	----------

Q 1,5/4A50/24-M20KU-ESA-ASI BK - Panel feed-through



1437274

<https://www.phoenixcontact.com/us/products/1437274>

Environmental product compliance

EU RoHS

Fulfills EU RoHS substance requirements	Yes, No exemptions
---	--------------------

China RoHS

Environment friendly use period (EFUP)	EFUP-E
	No hazardous substances above the limits

EU REACH SVHC

REACH candidate substance (CAS No.)	No substance above 0.1 wt%
-------------------------------------	----------------------------

Phoenix Contact 2026 © - all rights reserved
<https://www.phoenixcontact.com>

Phoenix Contact USA
586 Fulling Mill Road
Middletown, PA 17057, United States
(+717) 944-1300
info@phoenixcon.com