

# SACB-8/ 8-L-PUR SCO OTB 1,5M - Distributor box



1437245

<https://www.phoenixcontact.com/us/products/1437245>

Please be informed that the data shown in this PDF document is generated from our online catalog. Please find the complete data in the user documentation. Our general terms of use for downloads are valid.

Distributor box, application: Standard, extended requirements, connection method: M12 socket Metal, number of slots: 8, number of positions: 4, coding: A, slot assignment: single, status display: yes, PNP; master cable connection: Rear master cable connection 270°, PVC, cable length: 1.5 m, shielding: no



Similar to figure, housing is black, contact carriers are green

## Your advantages

- Safety in the field, thanks to molded housing and high degree of protection
- Convenient: increased machine availability thanks to quick and easy diagnostics
- Save time, thanks to installation with SPEEDCON fast locking system
- Easy PLC system cabling, thanks to master connection on the back

## Commercial data

Item number	1437245
Packing unit	1 pc
Minimum order quantity	1 pc
Sales key	BF42
Product key	AF3CCE
GTIN	4046356455619
Weight per piece (including packing)	475.8 g
Weight per piece (excluding packing)	444.1 g
Customs tariff number	85444290
Country of origin	DE

## Technical data

### Notes

Assembly note	<b>NOTE:</b> Observe the permissible bending radii when routing cables, since the degree of protection may be at risk if the bending forces are too high. Reduce mechanical loads upstream of the connector, e.g., by using cable ties.
Note on application	Unused slots are to be sealed off prior to commissioning. Suitable sealing elements are to be found under "Accessories".

### Product properties

Product type	Distributor box
Application	Standard, extended requirements
Number of positions	4
Number of slots	8
Coding	A
LED	yes

### System properties

#### Local diagnostics

Monitored function	Supply voltage
Optical representation	Green LED

### Electrical properties

Max. operating voltage $U_{max}$	30 V DC
Local diagnostics	Supply voltage Green LED
	Status display I/O Yellow LED
Nominal voltage $U_N$	24 V DC
Rated current, total	12 A
Max. current carrying capacity per path	2 A
Current carrying capacity per slot	4 A

### Connection data

#### Conductor connection

Sensor/actuator connection system	M12 socket
Tightening torque slot sensor/actuator cable	0.4 Nm
Tightening torque of mounting screw for fixing the housing	0.5 Nm

#### Connection assignment

Slot/position = Wire color or connection	1 / 4 (A) = WH
	2 / 4 (A) = GN
	3 / 4 (A) = YE
	4 / 4 (A) = GY
	5 / 4 (A) = PK

# SACB-8/ 8-L-PUR SCO OTB 1,5M - Distributor box



1437245

<https://www.phoenixcontact.com/us/products/1437245>

	6 / 4 (A) = RD
	7 / 4 (A) = BK
	8 / 4 (A) = VT
	1-8 / 1 (+ 24 V) = BN
	1-8 / 3 (0 V) = BU
	1-8 / 5 (PE) = GNYE

## Signaling

Status display present	yes
------------------------	-----

## Dimensions

Dimensional drawing	
Width	58 mm
Height	28 mm
Length	159 mm

## Material specifications

Material Threaded sleeve	Die-cast zinc
Material Housing	PBT
Material Molding compound	PUR
Seal material O-ring	NBR
Contact material	Cu alloy
Contact surface material	gold-plated
Contact carrier material	PA

## Cable/line

Cable length	1.5 m
--------------	-------

## PUR/PVC black [PUR]

Dimensional drawing	
Cable weight	107.4 kg/km

# SACB-8/ 8-L-PUR SCO OTB 1,5M - Distributor box



1437245

<https://www.phoenixcontact.com/us/products/1437245>

UL AWM Style	20549 (80°C/300 V)
Number of positions	11
Shielded	no
Cable type	PUR/PVC black [PUR]
Conductor structure signal line	19x 0.15 mm
AWG signal line	22
Conductor structure, voltage supply	42x 0.15 mm
AWG power supply	18
Conductor cross-section	8x 0.34 mm <sup>2</sup> (Signal line) 3x 0.75 mm <sup>2</sup> (power line)
Wire diameter incl. insulation	1.3 mm ±0.1 mm (Signal line) 1.8 mm ±0.1 mm (power line)
External cable diameter	8.50 mm ±0.2 mm
Outer sheath, material	PUR
External sheath, color	black RAL 9005
Conductor material	Bare Cu litz wires
Material wire insulation	PVC
Single wire, color	brown, blue, green/yellow, white, green, yellow, gray, pink, red, black, violet
Inner sheath thickness	≥ 0.15 mm
Thickness, outer sheath	≥ 0.38 mm
Overall twist	Wires twisted in layers
Max. conductor resistance	≤ 53 Ω/km (Signal line) ≤ 26 Ω/km (power line)
Insulation resistance	≥ 5 MΩ*km
Nominal voltage, cable	300 V AC
Test voltage Core/Core	2000 V (50 Hz, 5 min.)
Minimum bending radius, fixed installation	7.5 x D
Minimum bending radius, flexible installation	10 x D
Smallest bending radius, fixed installation	64 mm
Smallest bending radius, movable installation	85 mm
Dynamic load capacity (bending)	Max. bending cycles: 1500000, Bending radius: 10 x D, Traversing path: 2 m, Traversing rate: 2 m/s
Flame resistance	DIN EN 50265
Resistance to oil	according to VDE 0472 Part 803
Other resistance	Highly resistant to acids, alkaline solutions and solvents
Special properties	Silicone-free
Ambient temperature (operation)	-40 °C ... 90 °C (cable, fixed installation) -5 °C ... 80 °C (Cable, flexible installation)

## Environmental and real-life conditions

### Ambient conditions

Degree of protection	IP54 (with sealed mounting holes)
Ambient temperature (operation) (male connector/female)	-30 °C ... 80 °C

# SACB-8/ 8-L-PUR SCO OTB 1,5M - Distributor box



1437245

<https://www.phoenixcontact.com/us/products/1437245>

connector)	
Ambient temperature (storage/transport)	-30 °C ... 90 °C

## Standards and regulations

M12

Standard designation	M12 connector
Standards/specifications	IEC 61076-2-101

# SACB-8/ 8-L-PUR SCO OTB 1,5M - Distributor box

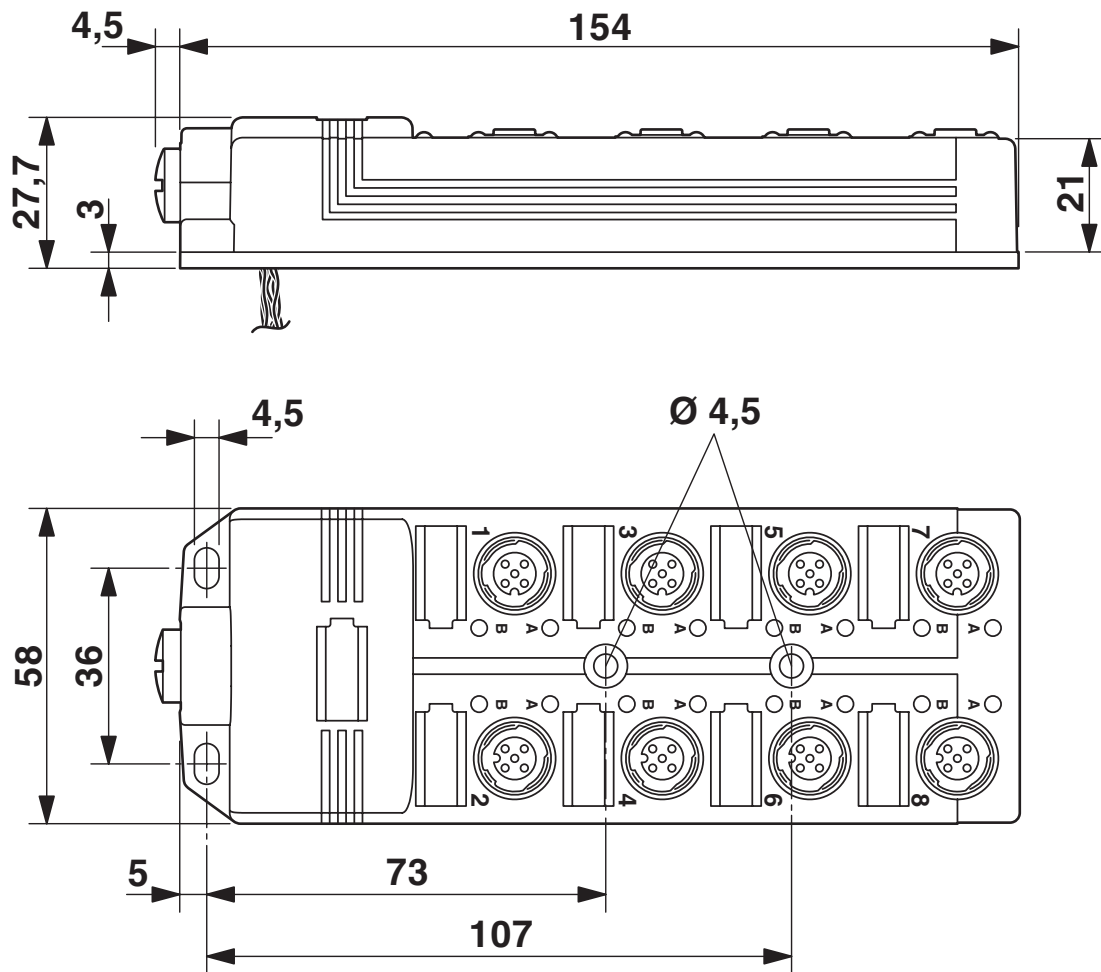


1437245

<https://www.phoenixcontact.com/us/products/1437245>

## Drawings

Dimensional drawing



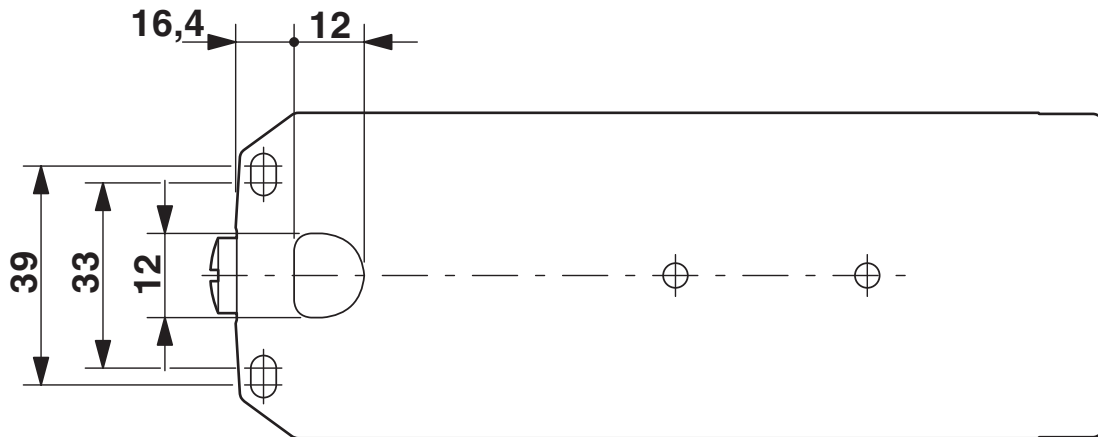
# SACB-8/ 8-L-PUR SCO OTB 1,5M - Distributor box



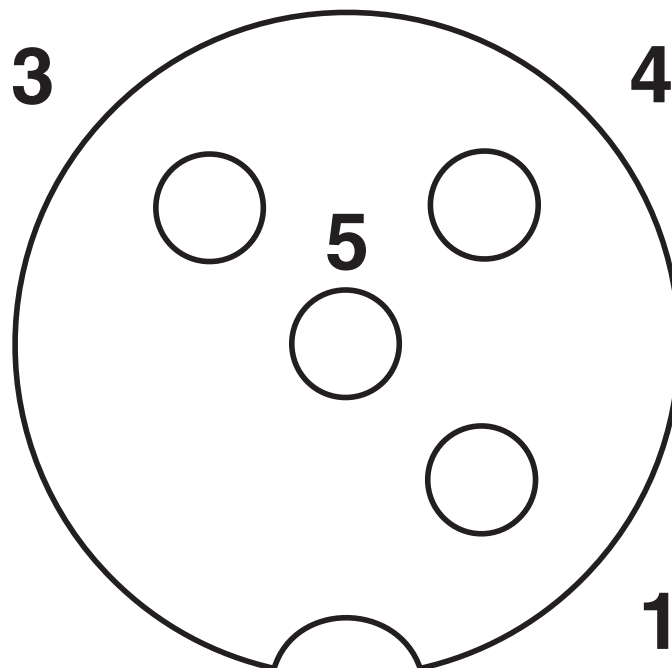
1437245

<https://www.phoenixcontact.com/us/products/1437245>

Dimensional drawing



Schematic diagram



Pin assignment of M12 socket, 4-pos.

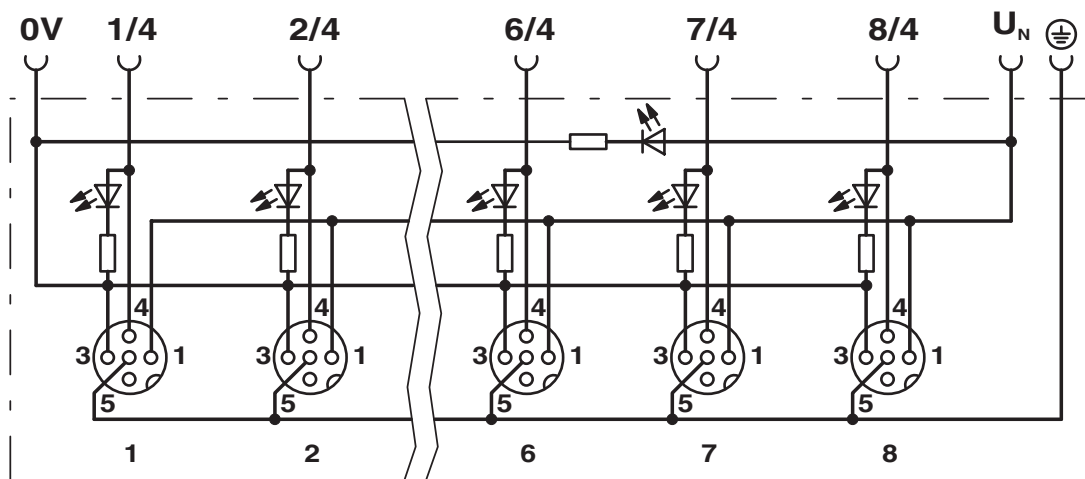
# SACB-8/ 8-L-PUR SCO OTB 1,5M - Distributor box



1437245

<https://www.phoenixcontact.com/us/products/1437245>

Circuit diagram



# SACB-8/ 8-L-PUR SCO OTB 1,5M - Distributor box



1437245

<https://www.phoenixcontact.com/us/products/1437245>

## Classifications

### ECLASS

ECLASS-13.0	27440108
ECLASS-15.0	27440108

### ETIM

ETIM 10.0	EC002585
-----------	----------

### UNSPSC

UNSPSC 21.0	31251500
-------------	----------

# SACB-8/ 8-L-PUR SCO OTB 1,5M - Distributor box



1437245

<https://www.phoenixcontact.com/us/products/1437245>

## Environmental product compliance

### EU RoHS

Fulfills EU RoHS substance requirements	Yes, No exemptions
---	--------------------

### China RoHS

Environment friendly use period (EFUP)	EFUP-E
	No hazardous substances above the limits

### EU REACH SVHC

REACH candidate substance (CAS No.)	No substance above 0.1 wt%
-------------------------------------	----------------------------

Phoenix Contact 2026 © - all rights reserved  
<https://www.phoenixcontact.com>

Phoenix Contact USA  
586 Fulling Mill Road  
Middletown, PA 17057, United States  
(+717) 944-1300  
[info@phoenixcon.com](mailto:info@phoenixcon.com)