

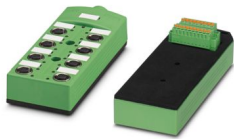
# SACB-8/16-L-C SCO OTB - Distributor box



1437232

<https://www.phoenixcontact.com/us/products/1437232>

Please be informed that the data shown in this PDF document is generated from our online catalog. Please find the complete data in the user documentation. Our general terms of use for downloads are valid.



Similar to figure, housing is black,  
contact carriers are green

Distributor box, application: Standard, extended requirements, connection method: M12 socket Metal, number of slots: 8, number of positions: 5, coding: A, slot assignment: Double, status display: yes, PNP; master cable connection: Rear plug-in spring connection 270°, shielding: no

## Your advantages

- Safety in the field, thanks to molded housing and high degree of protection
- Convenient: increased machine availability thanks to quick and easy diagnostics
- Save space: distributor box with double occupancy for two sensors in one slot
- Save time, thanks to installation with SPEEDCON fast locking system
- Easy PLC system cabling, thanks to master connection on the back

## Commercial data

Item number	1437232
Packing unit	1 pc
Minimum order quantity	1 pc
Sales key	BF42
Product key	AF3CCE
GTIN	4046356455626
Weight per piece (including packing)	393.6 g
Weight per piece (excluding packing)	362.3 g
Customs tariff number	85366990
Country of origin	DE

## Technical data

### Notes

Assembly note	<b>NOTE:</b> Observe the permissible bending radii when routing cables, since the degree of protection may be at risk if the bending forces are too high. Reduce mechanical loads upstream of the connector, e.g., by using cable ties.
Note on application	Unused slots are to be sealed off prior to commissioning. Suitable sealing elements are to be found under "Accessories".

### Product properties

Product type	Distributor box
Application	Standard, extended requirements
Number of positions	5
Number of slots	8
Coding	A
LED	yes

### System properties

#### Local diagnostics

Monitored function	Supply voltage
Optical representation	Green LED

### Electrical properties

Max. operating voltage $U_{max}$	30 V DC
Local diagnostics	Supply voltage Green LED
	Status display I/O Yellow LED
Nominal voltage $U_N$	24 V DC
Rated current, total	8 A
Max. current carrying capacity per path	2 A
Current carrying capacity per slot	4 A

### Connection data

#### Conductor connection

Sensor/actuator connection system	M12 socket
Conductor cross-section Flexible signal line	0.14 mm <sup>2</sup> ... 1.5 mm <sup>2</sup>
Conductor cross-section Flexible power supply	0.14 mm <sup>2</sup> ... 1.5 mm <sup>2</sup>
Connection cross section AWG Flexible signal line	26 ... 16
Connection cross section AWG Flexible power supply	26 ... 16
Stripping length Signal line	9 mm
Tightening torque slot sensor/actuator cable	0.4 Nm
Tightening torque of mounting screw for fixing the housing	0.5 Nm

#### Connection assignment

# SACB-8/16-L-C SCO OTB - Distributor box



1437232

<https://www.phoenixcontact.com/us/products/1437232>

Slot/position = Wire color or connection	1 / 4 (A) = 1 / 4
	1 / 2 (B) = 1 / 2
	2 / 4 (A) = 2 / 4
	2 / 2 (B) = 2 / 2
	3 / 4 (A) = 3 / 4
	3 / 2 (B) = 3 / 2
	4 / 4 (A) = 4 / 4
	4 / 2 (B) = 4 / 2
	5 / 4 (A) = 5 / 4
	5 / 2 (B) = 5 / 2
	6 / 4 (A) = 6 / 4
	6 / 2 (B) = 6 / 2
	7 / 4 (A) = 7 / 4
	7 / 2 (B) = 7 / 2
	8 / 4 (A) = 8 / 4
	8 / 2 (B) = 8 / 2
1-8 / 1 (+ 24 V) = U <sub>N</sub>	
1-8 / 3 (0 V) = 0 V	
1-8 / 5 (PE) = PE	

## Signaling

Status display present	yes
------------------------	-----

## Dimensions

Dimensional drawing	
Width	58 mm
Height	28 mm
Length	159 mm

## Material specifications

Material Threaded sleeve	Die-cast zinc
Material Housing	PBT
Material Molding compound	PUR
Seal material O-ring	NBR
Contact material	Cu alloy
Contact surface material	gold-plated
Contact carrier material	PA

# SACB-8/16-L-C SCO OTB - Distributor box



1437232

<https://www.phoenixcontact.com/us/products/1437232>

Material of contact, master cable side	CU alloy
Material of the contact carrier on the master cable side	PA
Material of contact surface, master cable side	tin-plated

## Cable/line

Connection method	Rear plug-in spring connection
-------------------	--------------------------------

## Environmental and real-life conditions

### Ambient conditions

Degree of protection	IP54 (with sealed mounting holes)
Ambient temperature (operation) (male connector/female connector)	-30 °C ... 80 °C
Ambient temperature (storage/transport)	-30 °C ... 90 °C

## Standards and regulations

### M12

Standard designation	M12 connector
Standards/specifications	IEC 61076-2-101

# SACB-8/16-L-C SCO OTB - Distributor box

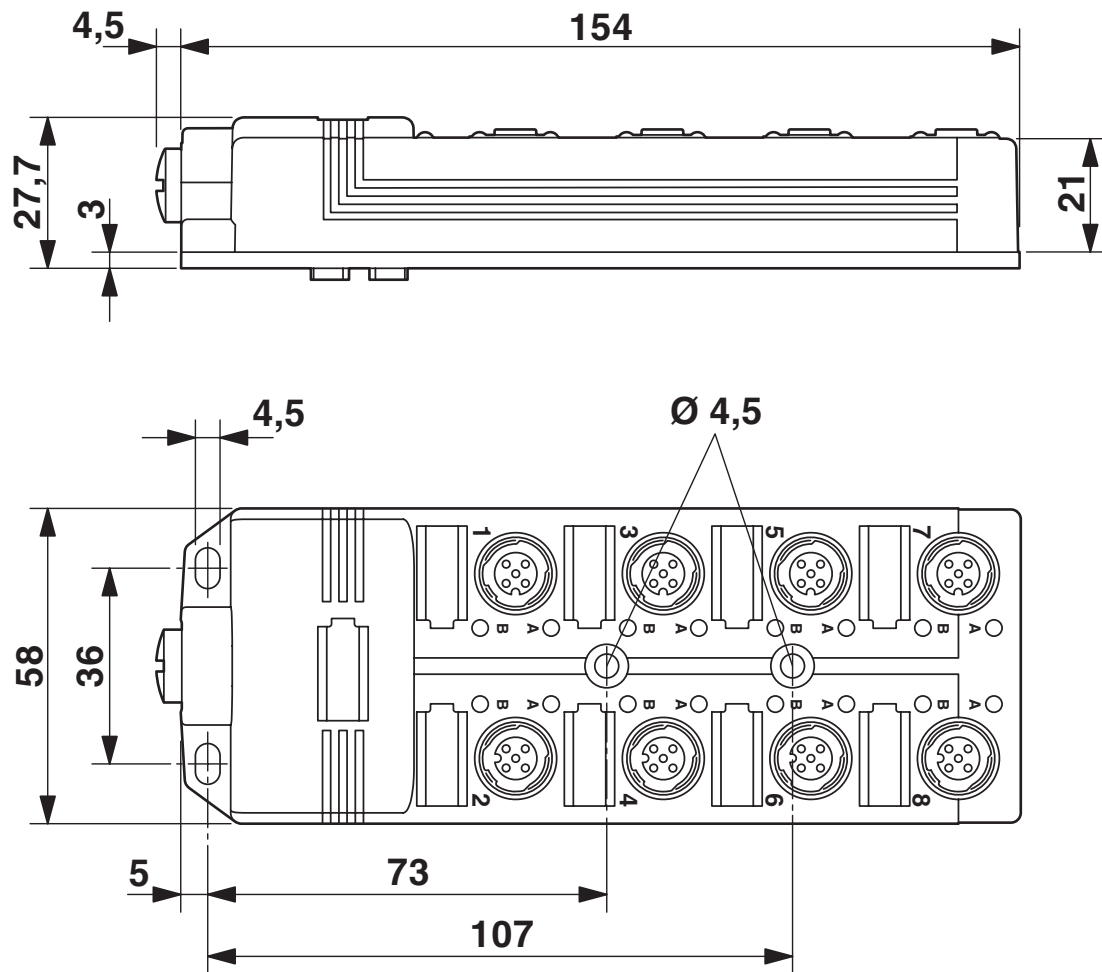


1437232

<https://www.phoenixcontact.com/us/products/1437232>

## Drawings

Dimensional drawing

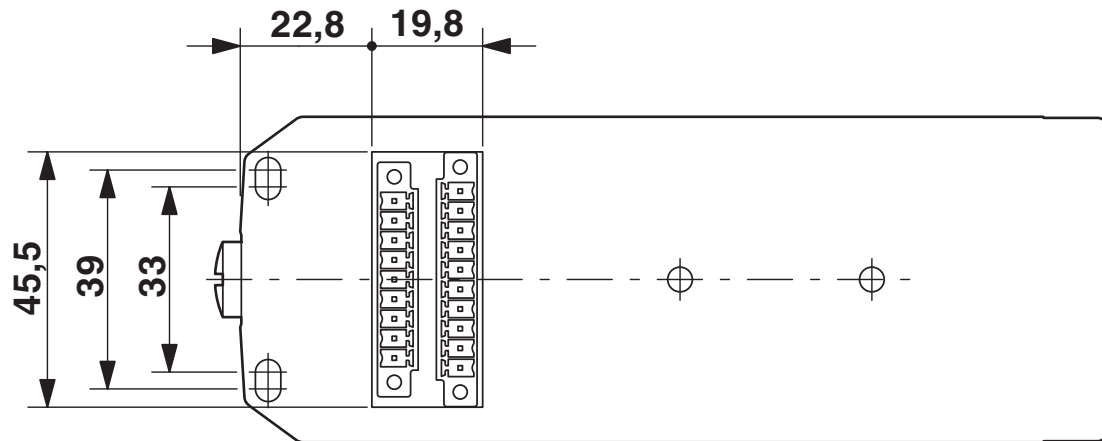


# SACB-8/16-L-C SCO OTB - Distributor box

1437232

<https://www.phoenixcontact.com/us/products/1437232>

Dimensional drawing



Schematic diagram



Pin assignment of M12 socket, 5-pos.

# SACB-8/16-L-C SCO OTB - Distributor box



1437232

<https://www.phoenixcontact.com/us/products/1437232>

Circuit diagram



# SACB-8/16-L-C SCO OTB - Distributor box



1437232

<https://www.phoenixcontact.com/us/products/1437232>

## Classifications

### ECLASS

ECLASS-13.0	27440111
ECLASS-15.0	27440111

### ETIM

ETIM 10.0	EC003558
-----------	----------

### UNSPSC

UNSPSC 21.0	31251500
-------------	----------

# SACB-8/16-L-C SCO OTB - Distributor box



1437232

<https://www.phoenixcontact.com/us/products/1437232>

## Environmental product compliance

### EU RoHS

Fulfills EU RoHS substance requirements	Yes, No exemptions
---	--------------------

### China RoHS

Environment friendly use period (EFUP)	EFUP-E
	No hazardous substances above the limits

### EU REACH SVHC

REACH candidate substance (CAS No.)	No substance above 0.1 wt%
-------------------------------------	----------------------------

Phoenix Contact 2026 © - all rights reserved  
<https://www.phoenixcontact.com>

Phoenix Contact USA  
586 Fulling Mill Road  
Middletown, PA 17057, United States  
(+717) 944-1300  
[info@phoenixcon.com](mailto:info@phoenixcon.com)