

# SACC-M 8MR-4CON-SH - Connector



1436466

<https://www.phoenixcontact.com/us/products/1436466>

Please be informed that the data shown in this PDF document is generated from our online catalog. Please find the complete data in the user documentation. Our general terms of use for downloads are valid.

Connector, Universal, 4-position, shielded, Plug angled M8, coding: A, Solder connection, knurl material: Brass, nickel-plated, external cable diameter 3.5 mm ... 5 mm



## Your advantages

- Safe use in the field, thanks to a high degree of protection
- Reliable signal transmission – 360° shielding in environments with electromagnetic interference

## Commercial data

Item number	1436466
Packing unit	1 pc
Minimum order quantity	1 pc
Sales key	BF35
Product key	AF2BJA
GTIN	4046356436380
Weight per piece (including packing)	21.41 g
Weight per piece (excluding packing)	28.11 g
Customs tariff number	85366990
Country of origin	DE

# SACC-M 8MR-4CON-SH - Connector



1436466

<https://www.phoenixcontact.com/us/products/1436466>

## Technical data

### Notes

Assembly note	<b>NOTE:</b> Observe the permissible bending radii when routing cables, since the degree of protection may be at risk if the bending forces are too high. Reduce mechanical loads upstream of the connector, e.g., by using cable ties.
---------------	---

### Mounting

Assembly note	The connector pin assignment can be rotated 90° to the cable outlet
---------------	---

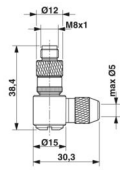
### Product properties

Product type	Circular connector (cable-side)
Number of positions	4
No. of cable outlets	1
Shielded	yes
Coding	A
Cable outlet	angled

### Insulation characteristics

Overvoltage category	II
Degree of pollution	3

### Dimensions

Dimensional drawing	
Length	38.4 mm

### External dimensions

Outside diameter	3.5 mm ... 5 mm
------------------	-----------------

### Housing

Diameter housing	15 mm
------------------	-------

### Material specifications

Flammability rating according to UL 94	HB
Seal material	NBR
Material of grip body	Brass, nickel-plated
Contact material	CuZn
Contact surface material	Au
Contact carrier material	PA

# SACC-M 8MR-4CON-SH - Connector



1436466

<https://www.phoenixcontact.com/us/products/1436466>

Material for screw connection	Brass, nickel-plated
-------------------------------	----------------------

## Connection data

### Conductor connection

Connection method	Solder connection
Connection cross section	0.08 mm <sup>2</sup> ... 0.25 mm <sup>2</sup> (flexible)
	0.08 mm <sup>2</sup> ... 0.25 mm <sup>2</sup> (solid)
Connection cross section AWG	28 ... 24 (flexible)
	28 ... 24 (solid)
Stripping length of the individual wire	3 mm
Tightening torque	0.2 Nm (M8 knurl)

## Electrical properties

Rated surge voltage	0.8 kV
Contact resistance	≤ 3 mΩ
Insulation resistance	≥ 100 MΩ
Nominal voltage U <sub>N</sub>	30 V AC
	30 V DC
Nominal current I <sub>N</sub>	4 A

## Mechanical properties

### Mechanical data

Insertion/withdrawal cycles	≥ 100
-----------------------------	-------

## Connector

### Connection 1

Head design	Plug
Head cable outlet	angled
Head thread type	M8
Coding	A

## Cable/line

Signal type/category	Universal
Stripping length of the individual wire	3 mm

## Environmental and real-life conditions

### Ambient conditions

Degree of protection	IP67
Ambient temperature (operation) (male connector/female connector)	-40 °C ... 85 °C (Plug / socket)

## Standards and regulations

Standard designation	M8 connector
----------------------	--------------

# SACC-M 8MR-4CON-SH - Connector



1436466

<https://www.phoenixcontact.com/us/products/1436466>

Standards/specifications

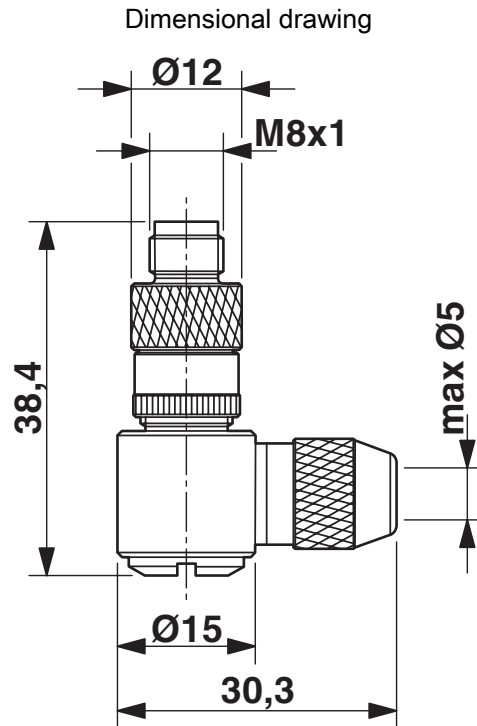
IEC 61076-2-104

# SACC-M 8MR-4CON-SH - Connector

1436466

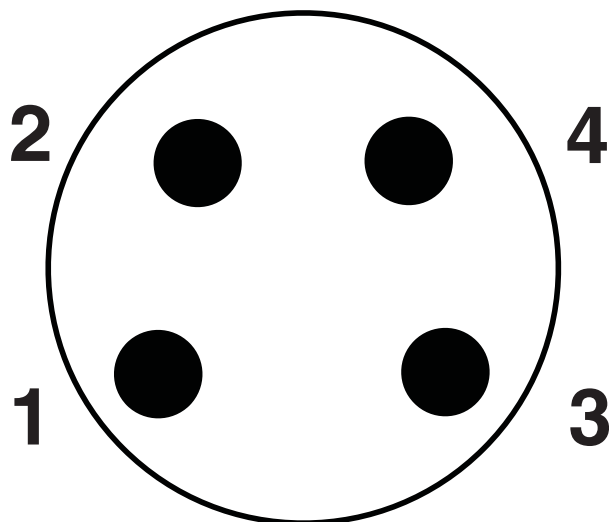
<https://www.phoenixcontact.com/us/products/1436466>

## Drawings



Plug M8 x 1, angled, shielded

Schematic diagram



Pin assignment M8 plug, 4-pos., view male side

# SACC-M 8MR-4CON-SH - Connector



1436466

<https://www.phoenixcontact.com/us/products/1436466>

## Approvals

To download certificates, visit the product detail page: <https://www.phoenixcontact.com/us/products/1436466>

 <b>UL Listed</b> Approval ID: FILE E 221474				
	Nominal voltage $U_N$	Nominal current $I_N$	Cross section AWG	Cross section $\text{mm}^2$
keine				
	30 V	4 A	-	-

 <b>cUL Listed</b> Approval ID: FILE E 221474				
	Nominal voltage $U_N$	Nominal current $I_N$	Cross section AWG	Cross section $\text{mm}^2$
keine				
	30 V	4 A	-	-

# SACC-M 8MR-4CON-SH - Connector



1436466

<https://www.phoenixcontact.com/us/products/1436466>

## Classifications

### ECLASS

ECLASS-13.0	27440116
ECLASS-15.0	27440116

### ETIM

ETIM 10.0	EC002635
-----------	----------

### UNSPSC

UNSPSC 21.0	39121400
-------------	----------

# SACC-M 8MR-4CON-SH - Connector



1436466

<https://www.phoenixcontact.com/us/products/1436466>

## Environmental product compliance

### EU RoHS

Fulfills EU RoHS substance requirements	Yes
Exemption	6(c)

### China RoHS

Environment friendly use period (EFUP)	EFUP-50
	An article-related China RoHS declaration table can be found in the download area for the respective article under "Manufacturer declaration". For all articles with EFUP-E, no China RoHS declaration table issued and required.

### EU REACH SVHC

REACH candidate substance (CAS No.)	Lead(CAS: 7439-92-1)
SCIP	ae70023e-9ee3-44e9-a3b2-ba377e069736

Phoenix Contact 2026 © - all rights reserved

<https://www.phoenixcontact.com>

Phoenix Contact USA  
586 Fulling Mill Road  
Middletown, PA 17057, United States  
(+717) 944-1300  
[info@phoenixcon.com](mailto:info@phoenixcon.com)