

# SAC-3P-10,0-PUR/CI-1L-Z - Sensor/actuator cable



1435713

<https://www.phoenixcontact.com/us/products/1435713>

Please be informed that the data shown in this PDF document is generated from our online catalog. Please find the complete data in the user documentation. Our general terms of use for downloads are valid.



Sensor/actuator cable, 3-position, PUR halogen-free, black-gray RAL 7021, free cable end, on Valve connector CI (9.4 mm), with 1 LED, Wiring: Z diode, cable length: 10 m

## Your advantages

- Easy and safe: 100 % electrically tested plug-in components
- Convenient: increased machine availability thanks to quick and easy diagnostics
- Our standard: robust halogen-free PUR cable

## Commercial data

|                                      |               |
|--------------------------------------|---------------|
| Item number                          | 1435713       |
| Packing unit                         | 1 pc          |
| Minimum order quantity               | 1 pc          |
| Sales key                            | BF07          |
| Product key                          | AF1DFA        |
| GTIN                                 | 4046356413954 |
| Weight per piece (including packing) | 317 g         |
| Weight per piece (excluding packing) | 290 g         |
| Customs tariff number                | 85444290      |
| Country of origin                    | PL            |

1435713

<https://www.phoenixcontact.com/us/products/1435713>

## Technical data

### Product properties

|                      |  |
|----------------------|--|
| Product type         | Sensor/actuator cable with valve connector |
| Application          | Standard                                   |
| Number of positions  | 3  |
| No. of cable outlets | 1  |
| Shielded             | no   |

### Insulation characteristics

|                      |     |
|----------------------|-----|
| Overvoltage category | III |
| Degree of pollution  | 3   |

### Connection data

#### Conductor connection

|                   |                          |
|-------------------|--------------------------|
| Tightening torque | 0.6 Nm (Valve connector) |
|-------------------|--------------------------|

### Material specifications

|  |        |
|--|--------|
| Flammability rating according to UL 94 | V0     |
| Seal material                          | TPU    |
| Material housing valve plug            | TPU    |
| Contact material                       | CuSn   |
| Valve plug contact insert material     | PA 6.6 |
| Contact surface material               | Sn     |

### Electrical properties

|                       |          |
|-----------------------|----------|
| Insulation resistance | ≥ 100 MΩ |
| Nominal voltage $U_N$ | 24 V AC  |
|                       | 24 V DC  |
| Nominal current $I_N$ | 4 A      |

#### Valve connector characteristics

|                  |                                    |
|------------------|------------------------------------|
| Fixing screws    | M3 x 29                            |
| Pulse power      | 40 W (at 100 μs square-wave pulse) |
| Terminal voltage | 70 V (at 2 mA constant current)    |
| Reverse voltage  | 50 V                               |

### Signaling

|                        |       |
|------------------------|-------|
| Status display         | 1 LED |
| Status display present | yes   |

### Connector

#### Connection 1

|      |                |
|------|----------------|
| Type | free cable end |
|------|----------------|

# SAC-3P-10,0-PUR/CI-1L-Z - Sensor/actuator cable



1435713

<https://www.phoenixcontact.com/us/products/1435713>

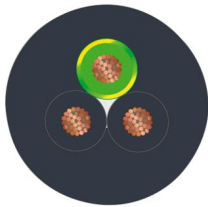
## Connection 2

|                     |                             |
|---------------------|-----------------------------|
| Type                | Valve connector CI (9.4 mm) |
| Number of positions | 3                           |
| Material            | CuSn (Contact)              |
|                     | Sn (Contact surface)        |
|                     | PA 6.6 (Contact carrier)    |
|                     | TPU (Housing)               |
| Protective circuit  | Z diode                     |

## Cable/line

|              |      |
|--------------|------|
| Cable length | 10 m |
|--------------|------|

## PUR halogen-free black [PUR]

|   |   |
|---|---|
| Dimensional drawing                           |  |
| Cable weight                                  | 30 kg/km  |
| UL AWM Style                                  | 20549   |
| Number of positions                           | 3   |
| Shielded                                      | no  |
| Cable type                                    | PUR halogen-free black [PUR]  |
| Conductor structure signal line               | 28x 0.15 mm   |
| AWG signal line                               | 20  |
| Conductor cross-section                       | 3x 0.5 mm <sup>2</sup>  |
| Wire diameter incl. insulation                | 1.5 mm ±0.05 mm (Signal line)   |
| External cable diameter                       | 4.50 mm ±0.2 mm   |
| Outer sheath, material                        | PUR   |
| External sheath, color                        | black-gray RAL 7021   |
| Conductor material                            | Bare Cu litz wires  |
| Material wire insulation                      | PP  |
| Single wire, color                            | black 1, black 2, green/yellow  |
| Overall twist                                 | 3 wires, twisted  |
| Max. conductor resistance                     | 39 Ω/km (at 20 °C)  |
| Insulation resistance                         | min. 20 MΩ*km   |
| Nominal voltage, cable                        | ≤ 300 V   |
| Test voltage                                  | ≥ 1200 V  |
| Minimum bending radius, fixed installation    | 5 x D   |
| Minimum bending radius, flexible installation | 10 x D  |
| Smallest bending radius, fixed installation   | 22.5 mm   |

# SAC-3P-10,0-PUR/CI-1L-Z - Sensor/actuator cable



1435713

<https://www.phoenixcontact.com/us/products/1435713>

|   |   |
|---|---|
| Smallest bending radius, movable installation | 45 mm   |
| Dynamic load capacity (bending)               | Max. bending cycles: 15000000, Bending radius: 50 mm, Traversing path: 0.9 m, Traversing rate: 5 m/s, Acceleration: 30 m/s <sup>2</sup> |
| Halogen-free                                  | in accordance with DIN VDE 0472 part 815  |
| Flame resistance                              | according to DIN VDE 0482   |
|   | According to DIN EN 50265-2-1   |
| Resistance to oil                             | in accordance with DIN EN 60811-2-1   |
| Other resistance                              | largely oil-resistant   |
|   | partly UV-resistant (in accordance with DIN EN ISO 4892-2-A)  |
| Ambient temperature (operation)               | -40 °C ... 80 °C (cable, fixed installation)  |
|   | -20 °C ... 80 °C (Cable, flexible installation)   |

## Environmental and real-life conditions

### Ambient conditions

|   |                                    |
|---|------------------------------------|
| Degree of protection                              | IP65                               |
|   | IP67                               |
| Ambient temperature (operation) (Valve connector) | -20 °C ... 85 °C (Valve connector) |

## Standards and regulations

### Valve connector

|                          |                 |
|--------------------------|-----------------|
| Standard designation     | Valve connector |
| Standards/specifications | EN 175301-803   |

# SAC-3P-10,0-PUR/CI-1L-Z - Sensor/actuator cable



1435713

<https://www.phoenixcontact.com/us/products/1435713>

## Drawings

Dimensional drawing



Valve connector, type CI

Dimensional drawing



Valve connector, type CI, side view

# SAC-3P-10,0-PUR/CI-1L-Z - Sensor/actuator cable

1435713

<https://www.phoenixcontact.com/us/products/1435713>

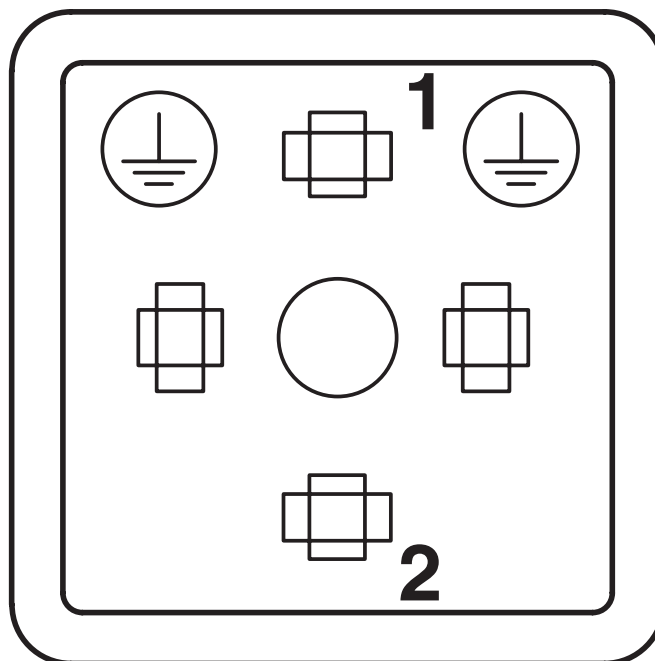


Schematic diagram



Valve connector connector pin assignment, type CI

Schematic diagram



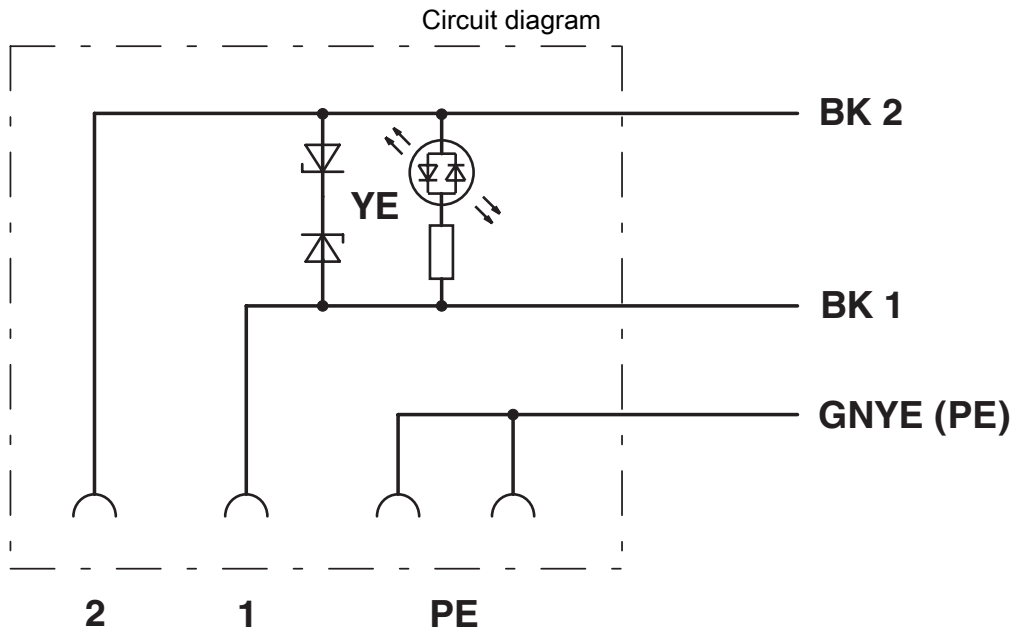
Valve connector connector pin assignment, type CI

# SAC-3P-10,0-PUR/CI-1L-Z - Sensor/actuator cable



1435713

<https://www.phoenixcontact.com/us/products/1435713>



Contact assignment of the valve plug

# SAC-3P-10,0-PUR/CI-1L-Z - Sensor/actuator cable



1435713

<https://www.phoenixcontact.com/us/products/1435713>

## Approvals

To download certificates, visit the product detail page: <https://www.phoenixcontact.com/us/products/1435713>



**EAC-RoHS**

Approval ID: RU D-DE.HB35.B.00387



**CSAus**

Approval ID: 13631

|       | Nominal voltage $U_N$ | Nominal current $I_N$ | Cross section AWG | Cross section $\text{mm}^2$ |
|-------|-----------------------|-----------------------|-------------------|-----------------------------|
| keine |                       |                       |                   |                             |
|       | 24 V                  | 6 A                   | -                 | -                           |

# SAC-3P-10,0-PUR/CI-1L-Z - Sensor/actuator cable



1435713

<https://www.phoenixcontact.com/us/products/1435713>

## Classifications

### ECLASS

|             |          |
|-------------|----------|
| ECLASS-13.0 | 27060312 |
| ECLASS-15.0 | 27060312 |

### ETIM

|           |          |
|-----------|----------|
| ETIM 10.0 | EC001855 |
|-----------|----------|

### UNSPSC

|             |          |
|-------------|----------|
| UNSPSC 21.0 | 31251500 |
|-------------|----------|

# SAC-3P-10,0-PUR/CI-1L-Z - Sensor/actuator cable



1435713

<https://www.phoenixcontact.com/us/products/1435713>

## Environmental product compliance

### EU RoHS

|   |        |
|---|--------|
| Fulfills EU RoHS substance requirements | Yes    |
| Exemption                               | 7(c)-I |

### China RoHS

|  |   |
|--|---|
| Environment friendly use period (EFUP) | EFUP-50   |
|  | An article-related China RoHS declaration table can be found in the download area for the respective article under "Manufacturer declaration". For all articles with EFUP-E, no China RoHS declaration table issued and required. |

### EU REACH SVHC

|                                     |  |
|-------------------------------------|--|
| REACH candidate substance (CAS No.) | Diboron trioxide(CAS: 1303-86-2)           |
|                                     | Lead monoxide (lead oxide)(CAS: 1317-36-8) |

### EF3.1 Climate Change

|         |              |
|---------|--------------|
| CO2e kg | 2.79 kg CO2e |
|---------|--------------|

Phoenix Contact 2026 © - all rights reserved  
<https://www.phoenixcontact.com>

Phoenix Contact USA  
586 Fulling Mill Road  
Middletown, PA 17057, United States  
(+717) 944-1300  
[info@phoenixcon.com](mailto:info@phoenixcon.com)