

NBC-M12MSD/73,0-93R/R4AQ - Network cable



1435225

<https://www.phoenixcontact.com/us/products/1435225>

Please be informed that the data shown in this PDF document is generated from our online catalog. Please find the complete data in the user documentation. Our general terms of use for downloads are valid.



Network cable, Ethernet CAT5 (100 Mbps), Ethernet CAT5 (100 Mbps), 4-position, PUR halogen-free, green RAL 6018, shielded, Plug straight M12, coding: D / IP65, on Plug straight RJ45 / IP20, cable length: 73 m

Commercial data

Item number	1435225
Packing unit	1 pc
Minimum order quantity	10 pc
Note	Made to order (non-returnable)
Product key	AF1CJI
GTIN	4063151809911
Weight per piece (including packing)	4,439.468 g
Weight per piece (excluding packing)	4,439.468 g
Country of origin	PL

1435225

<https://www.phoenixcontact.com/us/products/1435225>

Technical data

Product properties

Product type	Data cable preassembled
Number of positions	4
Shielded	yes

Interfaces

Bus system	Ethernet
Signal type/category	Ethernet CAT5 (IEC 11801:2002), 100 Mbps
	Ethernet CAT5 (TIA 568B:2001), 100 Mbps

Signaling

Status display	no
Status display present	no

Electrical properties

Nominal voltage U_N	48 V AC
	60 V DC
Nominal current I_N	1 A
Transmission speed	100 Mbps
Transmission characteristics (category)	CAT5 (IEC 11801:2002)

Connector

Connection 1

Type	Plug straight M12 / IP65
Number of positions	4
Coding type	D (Data)
Shielded	yes
Handle color	black
Material	CuSn (Contact)
	Ni/Au (Contact surface)
	PA (Contact carrier)
	TPU, hardly inflammable, self-extinguishing (Grip body)
	Zinc die-cast, nickel-plated (Screw connection)
Degree of protection	IP65

Connection 2

Type	Plug straight RJ45 / IP20
Material	CuSn (Contact)
	Ni/Au (Contact surface)
	PA (Contact carrier)
	PA (Housing)
Degree of protection	IP20


NBC-M12MSD/73,0-93R/R4AQ - Network cable



1435225

<https://www.phoenixcontact.com/us/products/1435225>

Cable/line

Cable length	73 m
PROFINET robot CAT5 [93R]	
Dimensional drawing	
Cable weight	55 kg/km
UL AWM Style	20233 (80°C/300 V)
Number of positions	4
Shielded	yes
Cable type	PROFINET robot CAT5 [93R]
Conductor structure	1x4xAWG22/19, S/TQ
Signal runtime	4.8 ns/m
Conductor structure signal line	19x 0.15 mm
AWG signal line	22
Conductor cross-section	4x 0.34 mm ²
Wire diameter incl. insulation	1.5 mm
External cable diameter	6.50 mm ±0.2 mm
Outer sheath, material	PUR
External sheath, color	green RAL 6018
Conductor material	Tin-plated Cu litz wires
Material wire insulation	Foamed PE
Single wire, color	white, yellow, blue, orange
Thickness, outer sheath	approx. 1.00 mm
Overall twist	Star quad
Optical shield covering	85 %
Insulation resistance	≥ 500 MΩ*km
Loop resistance	≤ 120.00 Ω/km
Wave impedance	100 Ω ±5 Ω (at 100 MHz)
Nominal voltage, cable	300 V
Test voltage Core/Core	2000 V (50 Hz, 1 min.)
Test voltage Core/Shield	2000.00 V (50 Hz, 1 min.)
Minimum bending radius, fixed installation	5 x D
Smallest bending radius, fixed installation	33 mm
Dynamic load capacity (torsion)	Torsion: ±180 °/m, Torsion cycles: 1000000
Shield attenuation	2.9 dB (with 1 MHz) 5 dB (at 4 MHz)

NBC-M12MSD/73,0-93R/R4AQ - Network cable



1435225

<https://www.phoenixcontact.com/us/products/1435225>

	8.1 dB (at 10 MHz)
	10.4 dB (at 16 MHz)
	11.9 dB (at 20 MHz)
	15.5 dB (at 31.25 MHz)
	26.5 dB (at 62.5 MHz)
	41 dB (at 100 MHz)
Halogen-free	according to IEC 60754-1
Flame resistance	according to IEC 60332-1-2
Resistance to oil	in accordance with DIN EN 60811-2-1
Other resistance	UV resistant (according to UL 1581, Section 1200)
Ambient temperature (operation)	-40 °C ... 80 °C
	-40 °C ... 80 °C
Ambient temperature (installation)	-20 °C ... 60 °C

Environmental and real-life conditions

Ambient conditions

Ambient temperature (operation) (male connector/female connector)	-25 °C ... 85 °C (M12 connector)
	-25 °C ... 60 °C (RJ45 connector)

Standards and regulations

M12

Standard designation	M12 connector
Standards/specifications	IEC 61076-2-101

NBC-M12MSD/73,0-93R/R4AQ - Network cable



1435225

<https://www.phoenixcontact.com/us/products/1435225>

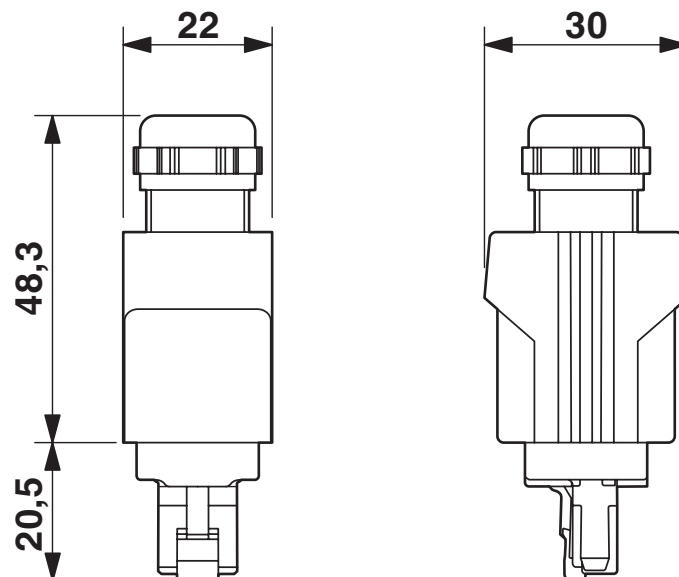
Drawings

Dimensional drawing



Plug, M12 x 1, straight, shielded

Dimensional drawing



RJ45 Push-Pull connector, IP67

1435225

<https://www.phoenixcontact.com/us/products/1435225>

Schematic diagram

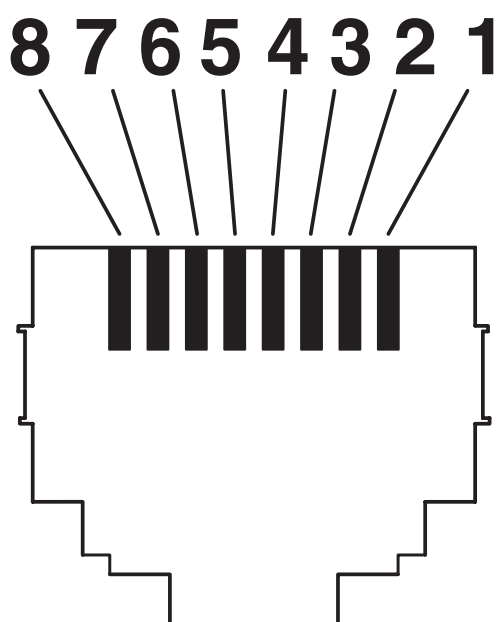


Pin assignment M12 male connector, 4-pos., D-coded, male side

1435225

<https://www.phoenixcontact.com/us/products/1435225>

Schematic diagram

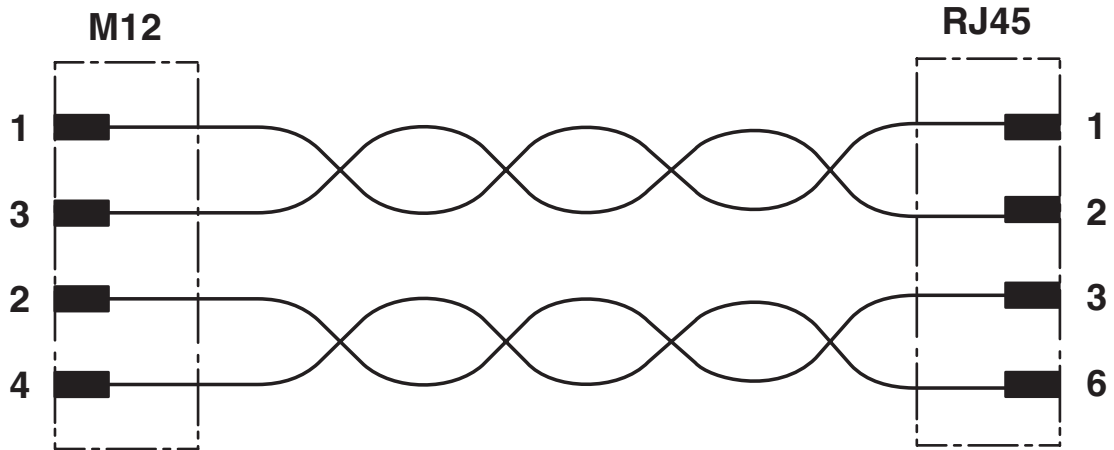


Connector pin assignment plug RJ45

1435225

<https://www.phoenixcontact.com/us/products/1435225>

Circuit diagram



Contact assignment of the M12 and RJ45 plug

NBC-M12MSD/73,0-93R/R4AQ - Network cable



1435225

<https://www.phoenixcontact.com/us/products/1435225>

Classifications

ECLASS

ECLASS-13.0	27060307
ECLASS-15.0	27060307

ETIM

ETIM 9.0	EC001855
----------	----------

UNSPSC

UNSPSC 21.0	26121600
-------------	----------

NBC-M12MSD/73,0-93R/R4AQ - Network cable



1435225

<https://www.phoenixcontact.com/us/products/1435225>

Environmental product compliance

EU RoHS

Fulfills EU RoHS substance requirements	Yes, No exemptions
-----------------------------------------	--------------------

China RoHS

Environment friendly use period (EFUP)	EFUP-E
	No hazardous substances above the limits

EU REACH SVHC

REACH candidate substance (CAS No.)	2-(2H-benzotriazol-2-yl)-4-(1,1,3,3-tetramethylbutyl)phenol (UV-329)(CAS: 3147-75-9)
SCIP	9abceaa5-3e64-4c81-a296-c0acdf731401

Phoenix Contact 2026 © - all rights reserved
<https://www.phoenixcontact.com>

Phoenix Contact USA
586 Fulling Mill Road
Middletown, PA 17057, United States
(+717) 944-1300
info@phoenixcon.com