

SAC-3P-MR-A-1L-Z SCO/.../... - Sensor/actuator cable



1434976

<https://www.phoenixcontact.com/us/products/1434976>

Please be informed that the data shown in this PDF document is generated from our online catalog. Please find the complete data in the user documentation. Our general terms of use for downloads are valid.



Sensor/actuator cable, 3-position, Variable cable type, Plug angled M12 SPEEDCON, coding: A, on Valve connector A, with 1 LED, Wiring: Z diode, cable length: Free input (0.2 ... 40.0 m)

Your advantages

- Easy and safe: 100 % electrically tested plug-in components
- Save time, thanks to installation with SPEEDCON fast locking system
- Convenient: increased machine availability thanks to quick and easy diagnostics
- Flexible solutions - configurable materials with variable cable types and cable lengths

Commercial data

| | |
|------------------------|--------------------------------|
| Item number | 1434976 |
| Packing unit | 1 pc |
| Minimum order quantity | 1 pc |
| Note | Made to order (non-returnable) |
| Sales key | BF17 |
| Product key | AF1DJA |
| Customs tariff number | 85444290 |
| Country of origin | PL |

Technical data

Product properties

| | |
|----------------------|--|
| Product type | Sensor/actuator cable with valve connector |
| Application | Standard |
| | Robots and drag chains |
| Number of positions | 3 |
| No. of cable outlets | 1 |
| Shielded | no |
| Coding | A |

Insulation characteristics

| | |
|----------------------|-----|
| Overvoltage category | III |
| Degree of pollution | 3 |

Connection data

Conductor connection

| | |
|-------------------|--------------------------|
| Tightening torque | 0.4 Nm (M12 connector) |
| | 0.6 Nm (Valve connector) |

Material specifications

| | |
|--|------------------------------|
| Flammability rating according to UL 94 | HB |
| Seal material | TPU |
| Material housing valve plug | TPU |
| Material of grip body | TPU |
| Contact material | CuSn |
| Contact surface material | Ni/Au |
| Contact carrier material | TPU GF |
| Contact material | CuSn |
| Valve plug contact insert material | PA 6.6 |
| Contact surface material | Sn |
| Material for screw connection | Zinc die-cast, nickel-plated |

Electrical properties

| | |
|-----------------------|----------------------------|
| Insulation resistance | $\geq 100 \text{ M}\Omega$ |
| Nominal voltage U_N | 24 V AC |
| | 24 V DC |
| Nominal current I_N | 4 A |

Valve connector characteristics

| | |
|------------------|---|
| Fixing screws | M3 x 29 |
| Pulse power | 40 W (at 100 μ s square-wave pulse) |
| Terminal voltage | 70 V (at 2 mA constant current) |
| Reverse voltage | 50 V |

SAC-3P-MR-A-1L-Z SCO/.../... - Sensor/actuator cable



1434976

<https://www.phoenixcontact.com/us/products/1434976>

Mechanical properties

Mechanical data

| | |
|-----------------------------|-----------------------|
| Insertion/withdrawal cycles | ≥ 100 (M12 connector) |
|-----------------------------|-----------------------|

Signaling

| | |
|------------------------|-------|
| Status display | 1 LED |
| Status display present | yes |

Connector

Connection 1

| | |
|---------------------|--------------------------|
| Type | Plug angled M12 SPEEDCON |
| Number of positions | 3 |
| Locking type | SPEEDCON |
| Coding type | A |

Connection 2

| | |
|--------------------|--------------------------|
| Type | Valve connector A |
| Material | CuSn (Contact) |
| | Sn (Contact surface) |
| | PA 6.6 (Contact carrier) |
| | TPU (Housing) |
| Protective circuit | Z diode |

Cable/line

| | |
|--------------|-----------------------------|
| Cable length | Free input (0.2 ... 40.0 m) |
|--------------|-----------------------------|

PUR halogen-free black [PUR]

| | |
|---------------------------------|--------------------------------|
| Cable weight | 30 kg/km |
| UL AWM Style | 20549 |
| Number of positions | 3 |
| Shielded | no |
| Cable type | PUR halogen-free black [PUR] |
| | PUR halogen-free black PUR |
| Conductor structure signal line | 28x 0.15 mm |
| AWG signal line | 20 |
| Conductor cross-section | 3x 0.5 mm ² |
| Wire diameter incl. insulation | 1.5 mm ±0.05 mm (Signal line) |
| External cable diameter | 4.50 mm ±0.2 mm |
| Outer sheath, material | PUR |
| External sheath, color | black-gray RAL 7021 |
| Conductor material | Bare Cu litz wires |
| Material wire insulation | PP |
| Single wire, color | black 1, black 2, green/yellow |

SAC-3P-MR-A-1L-Z SCO/.../... - Sensor/actuator cable



1434976

<https://www.phoenixcontact.com/us/products/1434976>

| | |
|---|---|
| Overall twist | 3 wires, twisted |
| Max. conductor resistance | 39 Ω/km (at 20 °C) |
| Insulation resistance | min. 20 MΩ*km |
| Nominal voltage, cable | ≤ 300 V |
| Test voltage | ≥ 1200 V |
| Minimum bending radius, fixed installation | 5 x D |
| Minimum bending radius, flexible installation | 10 x D |
| Smallest bending radius, fixed installation | 22.5 mm |
| Smallest bending radius, movable installation | 45 mm |
| Dynamic load capacity (bending) | Max. bending cycles: 15000000, Bending radius: 50 mm, Traversing path: 0.9 m, Traversing rate: 5 m/s, Acceleration: 30 m/s ² |
| Halogen-free | in accordance with DIN VDE 0472 part 815 |
| Flame resistance | according to DIN VDE 0482 According to DIN EN 50265-2-1 |
| Resistance to oil | in accordance with DIN EN 60811-2-1 |
| Other resistance | largely oil-resistant partly UV-resistant (in accordance with DIN EN ISO 4892-2-A) |
| Ambient temperature (operation) | -40 °C ... 80 °C (cable, fixed installation) -20 °C ... 80 °C (Cable, flexible installation) |

PUR/PVC, 0.75 mm², black [116]

| | |
|---|--|
| Cable weight | 53.4 kg/km |
| UL AWM Style | 20549 |
| Number of positions | 3 |
| Shielded | no |
| Cable type | PUR/PVC, 0.75 mm ² , black [116] PUR/PVC, 0.75 mm ² , black 116 |
| Conductor structure signal line | 24x 0.20 mm |
| AWG signal line | 18 |
| Conductor cross-section | 3x 0.75 mm ² |
| Wire diameter incl. insulation | 1.7 mm ±0.05 mm |
| External cable diameter | 5.80 mm ±0.2 mm |
| Outer sheath, material | PUR |
| External sheath, color | black RAL 9005 |
| Conductor material | Bare Cu litz wires |
| Material wire insulation | PVC |
| Single wire, color | black 1, black 2, green/yellow |
| Overall twist | 3 wires, twisted |
| Max. conductor resistance | 26 Ω/km (at 20 °C) |
| Insulation resistance | ≥ 20 MΩ*km |
| Nominal voltage, cable | 300 V |
| Test voltage | 1200 V |
| Minimum bending radius, fixed installation | 5 x D |
| Minimum bending radius, flexible installation | 10 x D |

SAC-3P-MR-A-1L-Z SCO/.../... - Sensor/actuator cable



1434976

<https://www.phoenixcontact.com/us/products/1434976>

| | |
|---|---|
| Smallest bending radius, fixed installation | 29 mm |
| Smallest bending radius, movable installation | 58 mm |
| Dynamic load capacity (bending) | Max. bending cycles: 1000000, Traversing path: 10 m, Traversing rate: 2 m/s, Acceleration: 2.5 m/s ² |
| Flame resistance | DIN VDE 0482 |
| | DIN EN 50265-2-1 |
| | in acc. with UL FT-2 |
| Resistance to oil | in accordance with DIN EN 60811-2-1 |
| Other resistance | Low adhesion |
| Special properties | flexible |
| Ambient temperature (operation) | -40 °C ... 80 °C (cable, fixed installation) |
| | -5 °C ... 80 °C (Cable, flexible installation) |

PUR/PVC 0.75 mm² gray [117]

| | |
|---|--|
| Cable weight | 58.5 kg/km |
| UL AWM Style | 20549 |
| Number of positions | 3 |
| Shielded | no |
| Cable type | PUR/PVC 0.75 mm ² gray [117] |
| | PUR/PVC 0.75 mm ² gray 117 |
| Conductor structure signal line | 24x 0.20 mm |
| AWG signal line | 18 |
| Conductor cross-section | 3x 0.75 mm ² (Signal line) |
| Wire diameter incl. insulation | 1.7 mm ±0.05 mm (Signal line) |
| External cable diameter | 5.80 mm ±0.2 mm |
| Outer sheath, material | PUR |
| External sheath, color | gray RAL 7001 |
| Conductor material | Bare Cu litz wires |
| Material wire insulation | PVC |
| Single wire, color | black 1, black 2, green/yellow |
| Overall twist | Wires twisted in layers |
| Max. conductor resistance | 26 Ω/km (at 20 °C) |
| Insulation resistance | ≥ 20 MΩ*km |
| Nominal voltage, cable | 300 V |
| Test voltage | 1200 V |
| Minimum bending radius, fixed installation | 5 x D |
| Minimum bending radius, flexible installation | 10 x D |
| Smallest bending radius, fixed installation | 29 mm |
| Smallest bending radius, movable installation | 58 mm |
| Dynamic load capacity (bending) | Max. bending cycles: 1000000, Traversing rate: 2 m/s, Acceleration: 2.5 m/s ² |
| Flame resistance | according to DIN VDE 0482 |
| | According to DIN EN 50265-2-1 |
| | in acc. with UL FT-2 |
| Ambient temperature (operation) | -40 °C ... 80 °C (cable, fixed installation) |

SAC-3P-MR-A-1L-Z SCO/.../... - Sensor/actuator cable



1434976

<https://www.phoenixcontact.com/us/products/1434976>

| | |
|---|---|
| | -5 °C ... 80 °C (Cable, flexible installation) |
| PUR black [121] | |
| Cable weight | 58.8 kg/km |
| UL AWM Style | 20549 |
| Number of positions | 3 |
| Shielded | no |
| Cable type | PUR black [121] |
| | PUR black 121 |
| Conductor structure signal line | 32x 0.20 mm |
| AWG signal line | 17 |
| Conductor cross-section | 3x 1 mm ² |
| Wire diameter incl. insulation | 2.1 mm ±0.05 mm |
| External cable diameter | 6.00 mm ±0.2 mm |
| Outer sheath, material | PUR |
| External sheath, color | black RAL 9005 |
| Conductor material | Bare Cu litz wires |
| Material wire insulation | PP |
| Single wire, color | black 1, black 2, green/yellow |
| Overall twist | 3 wires, twisted |
| Max. conductor resistance | 19.5 Ω/km (at 20 °C) |
| Insulation resistance | ≥ 20 MΩ*km |
| Nominal voltage, cable | 300 V |
| Test voltage | 1200 V |
| Minimum bending radius, fixed installation | 5 x D |
| Minimum bending radius, flexible installation | 10 x D |
| Smallest bending radius, fixed installation | 30 mm |
| Smallest bending radius, movable installation | 60 mm |
| Dynamic load capacity (bending) | Max. bending cycles: 3000000, Traversing rate: 2.5 m/s, Acceleration: 10 m/s ² |
| Halogen-free | in accordance with DIN VDE 0472 part 815 |
| Flame resistance | DIN VDE 0482 |
| | DIN EN 50265-2-1 |
| Resistance to oil | in accordance with DIN EN 60811-2-1 |
| Other resistance | Low adhesion |
| Special properties | highly flexible |
| Ambient temperature (operation) | -40 °C ... 80 °C (cable, fixed installation) |
| | -20 °C ... 80 °C (Cable, flexible installation) |

PUR irradiated halogen-free orange [150]

| | |
|---------------------|--|
| Cable weight | 31 kg/km |
| Number of positions | 3 |
| Shielded | no |
| Cable type | PUR irradiated halogen-free orange [150] |
| | PUR irradiated halogen-free orange 150 |

SAC-3P-MR-A-1L-Z SCO/.../... - Sensor/actuator cable



1434976

<https://www.phoenixcontact.com/us/products/1434976>

| | |
|---|---|
| Conductor structure signal line | 28x 0.15 mm |
| AWG signal line | 20 |
| Conductor cross-section | 3x 0.5 mm ² (Signal line) |
| Wire diameter incl. insulation | 1.46 mm ±0.02 mm (Signal line) |
| External cable diameter | 4.50 mm ±0.15 mm |
| Outer sheath, material | PUR |
| External sheath, color | orange RAL 2003 |
| Conductor material | Bare Cu litz wires |
| Material wire insulation | TPE-E |
| Single wire, color | black 1, black 2, green/yellow |
| Thickness, insulation | ≥ 0.21 mm (Core insulation) approx. 0.60 mm (Outer cable sheath) |
| Overall twist | 3 wires, twisted |
| Max. conductor resistance | max. 39 Ω/km (at 20 °C) |
| Insulation resistance | ≥ 100 MΩ*km (at 20 °C) |
| Nominal voltage, cable | ≤ 300 V |
| Test voltage | ≥ 3000 V |
| Minimum bending radius, fixed installation | 5 x D |
| Minimum bending radius, flexible installation | 10 x D |
| Smallest bending radius, fixed installation | 23 mm |
| Smallest bending radius, movable installation | 45 mm |
| Dynamic load capacity (bending) | Max. bending cycles: 5000000, Bending radius: 45 mm, Traversing path: 10 m, Traversing rate: 3 m/s |
| Halogen-free | in accordance with DIN VDE 0472 part 815 |
| Flame resistance | in accordance with DIN UL-Style 20549 |
| Resistance to oil | in accordance with DIN EN 60811-2-1 |
| Special properties | Silicone-free Irradiated |
| Ambient temperature (operation) | -25 °C ... 80 °C (cable, fixed installation) -5 °C ... 80 °C (Cable, flexible installation) |

PUR halogen-free yellow [240]

| | |
|---------------------------------|--|
| Cable weight | 30 kg/km |
| UL AWM Style | 20549 (80°C/300 V) |
| Number of positions | 3 |
| Shielded | no |
| Cable type | PUR halogen-free yellow [240] PUR halogen-free yellow 240 |
| Conductor structure signal line | 28x 0.15 mm |
| AWG signal line | 20 |
| Conductor cross-section | 3x 0.5 mm ² |
| Wire diameter incl. insulation | 1.46 mm ±0.02 mm |
| External cable diameter | 4.50 mm ±0.15 mm |
| Outer sheath, material | PUR |

SAC-3P-MR-A-1L-Z SCO/.../... - Sensor/actuator cable



1434976

<https://www.phoenixcontact.com/us/products/1434976>

| | |
|---|--|
| External sheath, color | yellow |
| Conductor material | Bare Cu litz wires |
| Material wire insulation | PP |
| Single wire, color | black 1, black 2, green/yellow |
| Thickness, insulation | ≥ 0.21 mm |
| Thickness, outer sheath | approx. 0.60 mm |
| Overall twist | 3 wires, twisted |
| Max. conductor resistance | ≤ 39 Ω/km |
| Insulation resistance | ≥ 10 GΩ*km |
| Nominal voltage, cable | ≤ 300 V |
| Test voltage | ≥ 3000 V |
| Minimum bending radius, fixed installation | 5 x D |
| Minimum bending radius, flexible installation | 10 x D |
| Smallest bending radius, fixed installation | 23 mm |
| Smallest bending radius, movable installation | 45 mm |
| Halogen-free | in accordance with DIN VDE 0472 part 815 |
| Flame resistance | in accordance with DIN UL-Style 20549 |
| Resistance to oil | in accordance with DIN EN 60811-2-1 |
| Ambient temperature (operation) | -15 °C ... 80 °C (cable, fixed installation) |

PUR halogen-free gray [280]

| | |
|---|--|
| Cable weight | 33.2 kg/km |
| UL AWM Style | 20549 |
| Number of positions | 3 |
| Shielded | no |
| Cable type | PUR halogen-free gray [280] PUR halogen-free gray 280 |
| Conductor structure signal line | 28x 0.15 mm |
| AWG signal line | 20 |
| Conductor cross-section | 3x 0.5 mm ² (Signal line) |
| Wire diameter incl. insulation | 1.5 mm ±0.05 mm (Signal line) |
| External cable diameter | 4.50 mm ±0.2 mm |
| Outer sheath, material | PUR |
| External sheath, color | gray RAL 7001 |
| Conductor material | Bare Cu litz wires |
| Material wire insulation | PP |
| Single wire, color | black 1, black 2, green/yellow |
| Overall twist | Wires twisted in layers |
| Max. conductor resistance | 39 Ω/km (at 20 °C) |
| Insulation resistance | ≥ 20 MΩ*km |
| Nominal voltage, cable | 300 V |
| Test voltage | 1200 V |
| Minimum bending radius, fixed installation | 5 x D |
| Minimum bending radius, flexible installation | 10 x D |

SAC-3P-MR-A-1L-Z SCO/.../... - Sensor/actuator cable



1434976

<https://www.phoenixcontact.com/us/products/1434976>

| | |
|---|---|
| Smallest bending radius, fixed installation | 22.5 mm |
| Dynamic load capacity (bending) | Max. bending cycles: 15000000, Bending radius: 50 mm, Traversing path: 0.9 m, Traversing rate: 5 m/s, Acceleration: 30 m/s ² |
| Halogen-free | in accordance with DIN VDE 0472 part 815 |
| Flame resistance | according to DIN VDE 0482 According to DIN EN 50265-2-1 |
| Resistance to oil | in accordance with DIN EN 60811-2-1 |
| Ambient temperature (operation) | -40 °C ... 80 °C (cable, fixed installation) -20 °C ... 80 °C (Cable, flexible installation) |

PVC black [PVC]

| | |
|---|--|
| Cable weight | 38.6 kg/km |
| UL AWM Style | 2464 |
| Number of positions | 3 |
| Shielded | no |
| Cable type | PVC black [PVC] PVC black PVC |
| Conductor structure signal line | 16x 0.20 mm |
| AWG signal line | 20 |
| Conductor cross-section | 3x 0.5 mm ² |
| Wire diameter incl. insulation | 1.5 mm ±0.05 mm |
| External cable diameter | 4.80 mm ±0.2 mm |
| Outer sheath, material | PVC |
| External sheath, color | black RAL 9005 |
| Conductor material | Bare Cu litz wires |
| Material wire insulation | PVC |
| Single wire, color | black 1, black 2, green/yellow |
| Overall twist | 3 wires, twisted |
| Max. conductor resistance | 39 Ω/km (at 20 °C) |
| Insulation resistance | ≥ 20 MΩ*km |
| Nominal voltage, cable | 300 V |
| Test voltage | 1200 V |
| Minimum bending radius, fixed installation | 5 x D |
| Smallest bending radius, fixed installation | 24 mm |
| Flame resistance | DIN VDE 0482 DIN EN 50265-2-1 |
| Resistance to oil | in accordance with DIN EN 60811-2-1 |
| Ambient temperature (operation) | -40 °C ... 80 °C (cable, fixed installation) -5 °C ... 80 °C (Cable, flexible installation) |

PVC gray [500]

| | |
|---------------------|------------|
| Cable weight | 39.2 kg/km |
| Number of positions | 3 |
| Shielded | no |

SAC-3P-MR-A-1L-Z SCO/.../... - Sensor/actuator cable



1434976

<https://www.phoenixcontact.com/us/products/1434976>

| | |
|---|--|
| Cable type | PVC gray [500] |
| | PVC gray 500 |
| Conductor type | Round cable |
| Conductor structure signal line | 16x 0.20 mm |
| AWG signal line | 20 |
| Conductor cross-section | 3x 0.5 mm ² (Signal line) |
| Wire diameter incl. insulation | 1.5 mm ±0.05 mm (Signal line) |
| External cable diameter | 4.80 mm ±0.2 mm |
| Outer sheath, material | PVC |
| External sheath, color | gray RAL 7001 |
| Conductor material | Bare Cu litz wires |
| Material wire insulation | PVC |
| Single wire, color | black 1, black 2, green/yellow |
| Overall twist | Wires twisted in layers |
| Max. conductor resistance | 39 Ω/km (at 20 °C) |
| Insulation resistance | min. 20 MΩ*km |
| Nominal voltage, cable | 300 V |
| Test voltage | 1200 V |
| Minimum bending radius, fixed installation | 5 x D |
| Smallest bending radius, fixed installation | 24 mm |
| Flame resistance | DIN EN 50265-2-1 |
| Resistance to oil | in accordance with DIN EN 60811-2-1 |
| Ambient temperature (operation) | -40 °C ... 80 °C (cable, fixed installation) |
| | -5 °C ... 80 °C (Cable, flexible installation) |

PVC, 0.75 mm², black [534]

| | |
|---------------------------------|---|
| Cable weight | 49.1 kg/km |
| Number of positions | 3 |
| Shielded | no |
| Cable type | PVC, 0.75 mm ² , black [534] |
| | PVC, 0.75 mm ² , black 534 |
| Conductor structure signal line | 24x 0.20 mm |
| AWG signal line | 18 |
| Conductor cross-section | 3x 0.75 mm ² |
| Wire diameter incl. insulation | 1.7 mm ±0.1 mm |
| External cable diameter | 5.30 mm ±0.2 mm |
| Outer sheath, material | PVC |
| External sheath, color | black |
| Conductor material | Bare Cu litz wires |
| Material wire insulation | PVC |
| Single wire, color | black 1, black 2, green/yellow |
| Overall twist | 3 wires, twisted |
| Max. conductor resistance | 26 Ω/km (at 20 °C) |
| Insulation resistance | min. 20 MΩ*km (at 20 °C) |

SAC-3P-MR-A-1L-Z SCO/.../... - Sensor/actuator cable



1434976

<https://www.phoenixcontact.com/us/products/1434976>

| | |
|---|--|
| Nominal voltage, cable | 300 V |
| Test voltage | 1200 V |
| Minimum bending radius, fixed installation | 5 x D |
| Smallest bending radius, fixed installation | 27 mm |
| Flame resistance | DIN VDE 0482 |
| | DIN EN 50265-2-1 |
| | in acc. to UL VW1 |
| Resistance to oil | in accordance with DIN EN 60811-2-1 |
| Ambient temperature (operation) | -40 °C ... 80 °C (cable, fixed installation) |
| | -5 °C ... 80 °C (Cable, flexible installation) |

PUR, halogen-free, highly stranded, resistant to welding sparks, gray [800]

| | |
|---|---|
| Note | Due to the extremely robust outer sheath, this cable should only be stripped in 5 cm increments. |
| Cable weight | 31 kg/km |
| UL AWM Style | 20549 |
| Number of positions | 3 |
| Shielded | no |
| Cable type | PUR, halogen-free, highly stranded, resistant to welding sparks, gray [800] |
| | PUR, halogen-free, highly stranded, resistant to welding sparks, gray 800 |
| Conductor structure signal line | 28x 0.15 mm |
| AWG signal line | 20 |
| Conductor cross-section | 3x 0.5 mm ² (Signal line) |
| Wire diameter incl. insulation | 1.5 mm ±0.05 mm (Signal line) |
| External cable diameter | 4.50 mm ±0.2 mm |
| Outer sheath, material | PUR |
| External sheath, color | gray RAL 7001 |
| Conductor material | Bare Cu litz wires |
| Material wire insulation | PP |
| Single wire, color | black 1, black 2, green/yellow |
| Overall twist | Wires twisted in layers |
| Max. conductor resistance | 39 Ω/km (at 20 °C) |
| Insulation resistance | ≥ 20 MΩ*km |
| Nominal voltage, cable | 300 V |
| Test voltage | 1200 V |
| Minimum bending radius, fixed installation | 5 x D |
| Minimum bending radius, flexible installation | 10 x D |
| Smallest bending radius, fixed installation | 23 mm |
| Smallest bending radius, movable installation | 45 mm |
| Dynamic load capacity (bending) | Max. bending cycles: 15000000, Bending radius: 50 mm, Traversing path: 0.9 m, Traversing rate: 5 m/s, Acceleration: 30 m/s ² |
| Dynamic load capacity (torsion) | Torsion: ±360 °/m |
| Halogen-free | The cable is halogen-free |

SAC-3P-MR-A-1L-Z SCO/.../... - Sensor/actuator cable



1434976

<https://www.phoenixcontact.com/us/products/1434976>

| | |
|---------------------------------|--|
| Flame resistance | in accordance with UL 758/1581 FT2 |
| Resistance to oil | in accordance with DIN EN 60811-2-1 |
| Other resistance | Highly resistant to acids, alkaline solutions and solvents |
| Special properties | Cable jacket is welding spark-resistant, recyclable, matt, low-adhesion, abrasion-resistant, flame-retardant, and self-extinguishing |
| | Free from silicone and cadmium |
| | Free of substances which would hinder coating with paint or varnish |
| Ambient temperature (operation) | -40 °C ... 80 °C (cable, fixed installation) |
| | -25 °C ... 80 °C (Cable, flexible installation) |

Environmental and real-life conditions

Ambient conditions

| | |
|---|------------------------------------|
| Degree of protection | IP65 |
| | IP67 |
| Ambient temperature (operation) (male connector/female connector) | -25 °C ... 90 °C (Plug / socket) |
| Ambient temperature (operation) (Valve connector) | -20 °C ... 80 °C (Valve connector) |

Standards and regulations

| | |
|--------------------------|-----------------|
| Standard designation | M12 connector |
| Standards/specifications | IEC 61076-2-101 |
| Standard designation | Valve connector |
| Standards/specifications | EN 175301-803 |

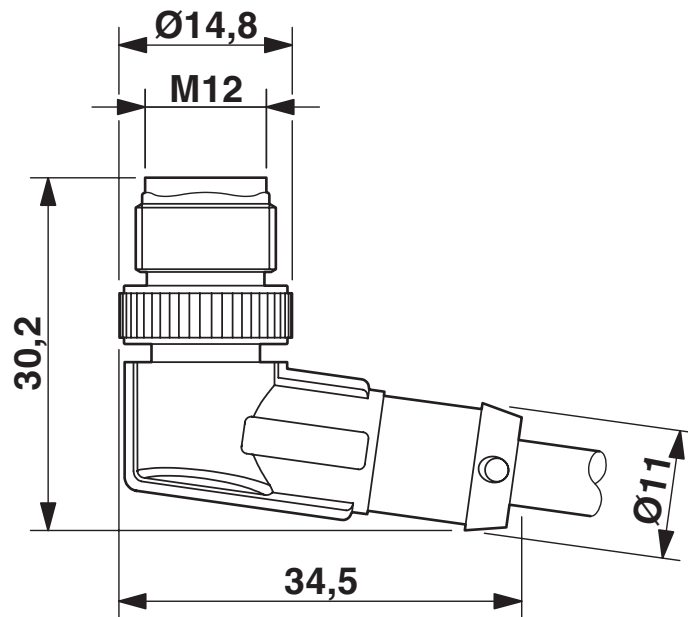
SAC-3P-MR-A-1L-Z SCO/.../... - Sensor/actuator cable

1434976

<https://www.phoenixcontact.com/us/products/1434976>

Drawings

Dimensional drawing



M12 x 1 male plug, angled

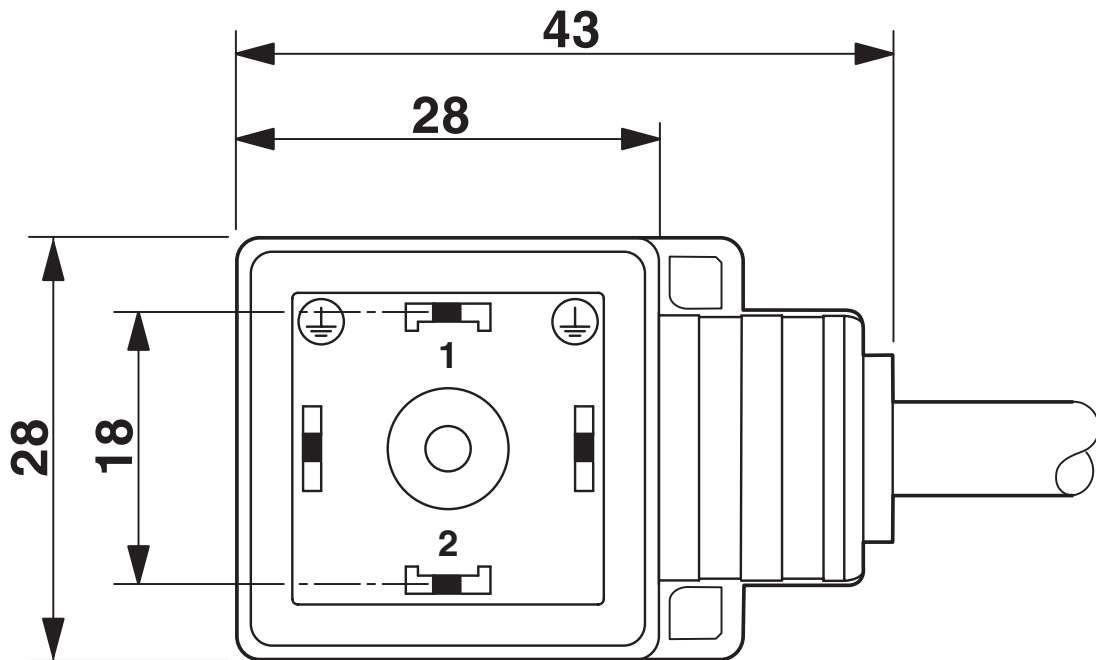
SAC-3P-MR-A-1L-Z SCO/.../... - Sensor/actuator cable



1434976

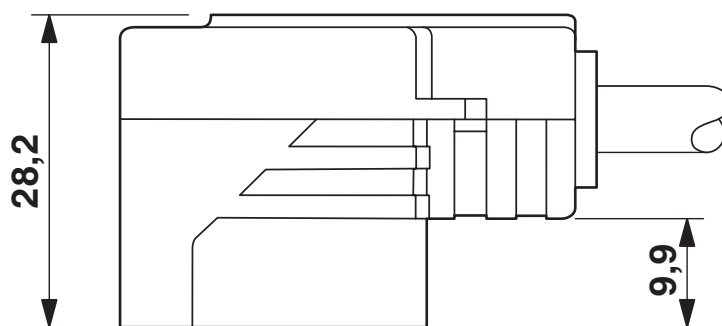
<https://www.phoenixcontact.com/us/products/1434976>

Dimensional drawing



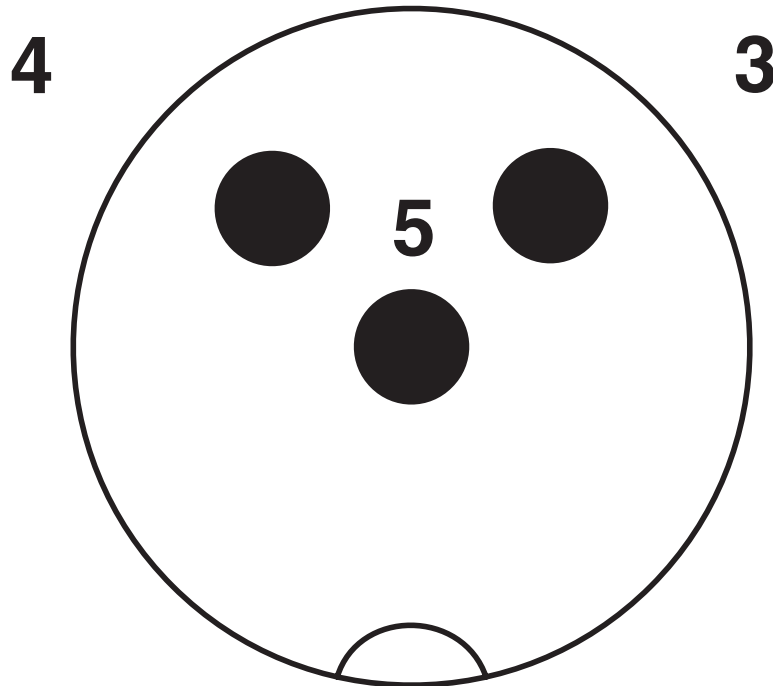
Valve connector, type A

Dimensional drawing



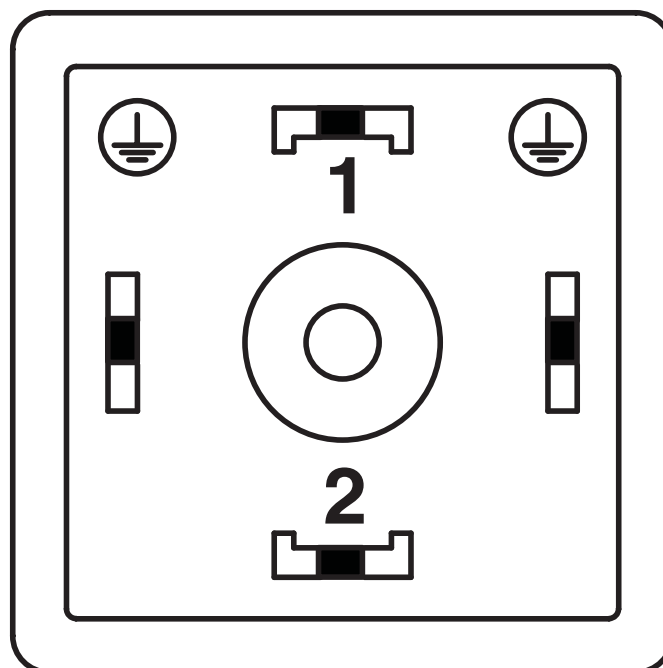
Valve connector, type A, side view

Schematic diagram



Pin assignment M12 plug, 3-pos., valve connector

Schematic diagram



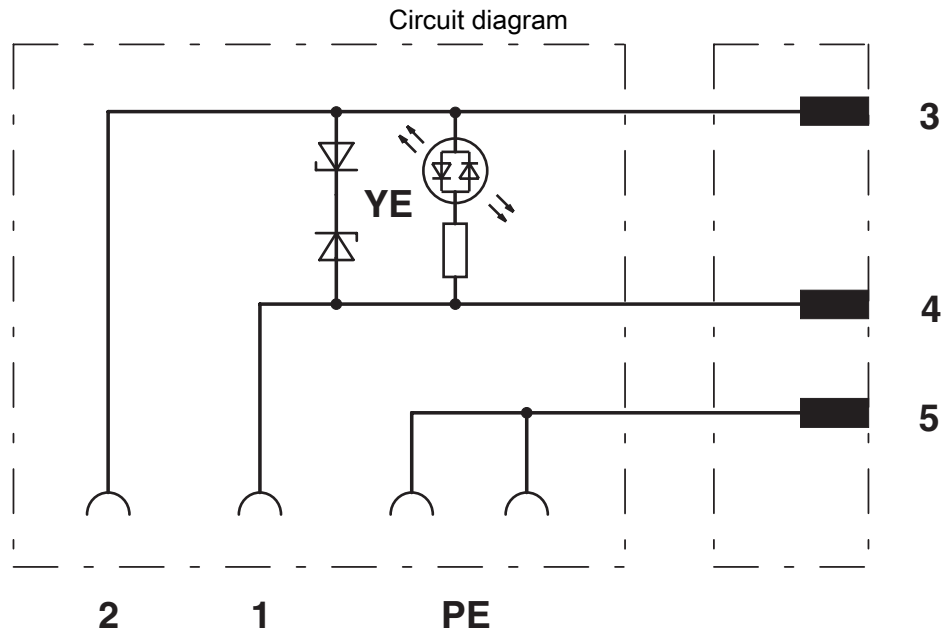
Valve connector pin assignment, type A

SAC-3P-MR-A-1L-Z SCO/.../... - Sensor/actuator cable



1434976

<https://www.phoenixcontact.com/us/products/1434976>



Contact assignment of M12 plug and valve connector

SAC-3P-MR-A-1L-Z SCO/.../... - Sensor/actuator cable



1434976

<https://www.phoenixcontact.com/us/products/1434976>

Approvals

To download certificates, visit the product detail page: <https://www.phoenixcontact.com/us/products/1434976>



EAC-RoHS

Approval ID: RU D-DE.HB35.B.00387



CSAus

Approval ID: 13631

| | Nominal voltage U_N | Nominal current I_N | Cross section AWG | Cross section mm^2 |
|-------|-----------------------|-----------------------|-------------------|-----------------------------|
| keine | | | | |
| | 24 V | 4 A | - | - |

SAC-3P-MR-A-1L-Z SCO/.../... - Sensor/actuator cable



1434976

<https://www.phoenixcontact.com/us/products/1434976>

Classifications

ECLASS

| | |
|-------------|----------|
| ECLASS-13.0 | 27060312 |
| ECLASS-15.0 | 27060312 |

ETIM

| | |
|-----------|----------|
| ETIM 10.0 | EC001855 |
|-----------|----------|

UNSPSC

| | |
|-------------|----------|
| UNSPSC 21.0 | 31251500 |
|-------------|----------|

1434976

<https://www.phoenixcontact.com/us/products/1434976>

Environmental product compliance

EU RoHS

| | |
|---|--------|
| Fulfills EU RoHS substance requirements | Yes |
| Exemption | 7(c)-I |

China RoHS

| | |
|--|---|
| Environment friendly use period (EFUP) | EFUP-50 |
| | An article-related China RoHS declaration table can be found in the download area for the respective article under "Manufacturer declaration". For all articles with EFUP-E, no China RoHS declaration table issued and required. |

EU REACH SVHC

| | |
|-------------------------------------|--|
| REACH candidate substance (CAS No.) | Diboron trioxide(CAS: 1303-86-2) |
| | Lead monoxide (lead oxide)(CAS: 1317-36-8) |

Phoenix Contact 2026 © - all rights reserved
<https://www.phoenixcontact.com>

Phoenix Contact USA
 586 Fulling Mill Road
 Middletown, PA 17057, United States
 (+717) 944-1300
info@phoenixcon.com