

SAC-5P-MINMS TR-DN - Termination resistor



1434701

<https://www.phoenixcontact.com/us/products/1434701>

Please be informed that the data shown in this PDF document is generated from our online catalog. Please find the complete data in the user documentation. Our general terms of use for downloads are valid.

DeviceNet™ termination resistor, 5-pos., 7/8"-UNF plug



Commercial data

Item number	1434701
Packing unit	1 pc
Note	Made to order (non-returnable)
Sales key	BF10
Product key	AF1GVX
GTIN	4046356362511
Weight per piece (including packing)	35.9 g
Weight per piece (excluding packing)	34.3 g
Customs tariff number	85332100
Country of origin	DE

SAC-5P-MINMS TR-DN - Termination resistor



1434701

<https://www.phoenixcontact.com/us/products/1434701>

Technical data

Product properties

Product type	Terminal resistor
Number of positions	5
Coding	A

Insulation characteristics

Overvoltage category	II
Degree of pollution	3

Electrical properties

Rated surge voltage	1500 V
Insulation resistance	≥ 10 MΩ
Nominal voltage U_N	300 V DC

Signaling

Status display	no
Status display present	no

Material specifications

Seal material	TPU
Material of grip body	TPU
Contact material	CuZn
Contact surface material	Au
Contact carrier material	PA 6.6

Connector

Connection 1

Type	Plug straight 7/8"-16UNF
------	--------------------------

Connection 2

Type	free cable end
------	----------------

Mechanical properties

Mechanical data

Insertion/withdrawal cycles	100
-----------------------------	-----

Environmental and real-life conditions

Ambient conditions

Degree of protection	IP65 IP67
Ambient temperature (operation) (male connector/female connector)	-40 °C ... 80 °C (Plug / socket)

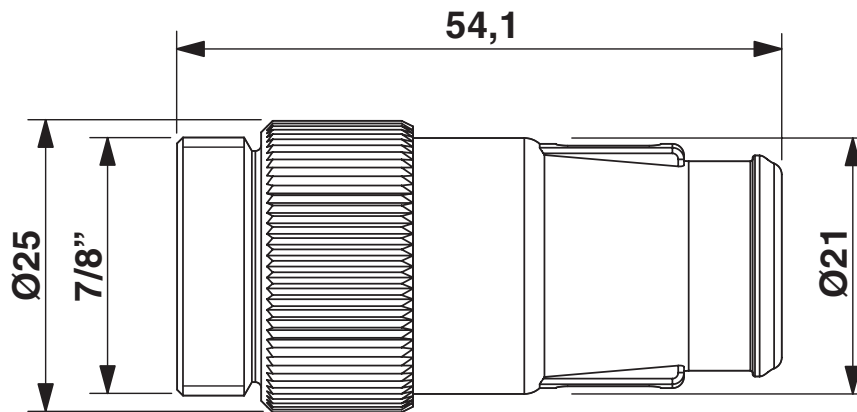
SAC-5P-MINMS TR-DN - Termination resistor

1434701

<https://www.phoenixcontact.com/us/products/1434701>

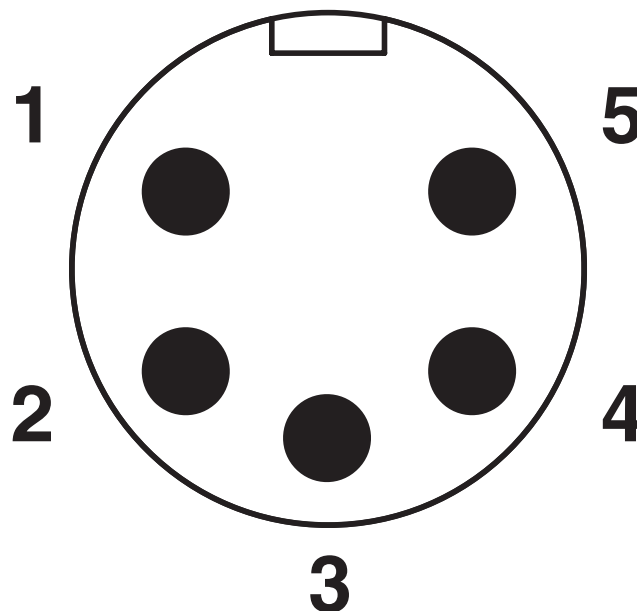
Drawings

Dimensional drawing



7/8" termination resistor

Schematic diagram



Plug pin assignment for 7/8"-16UNF plug, 5-pos.

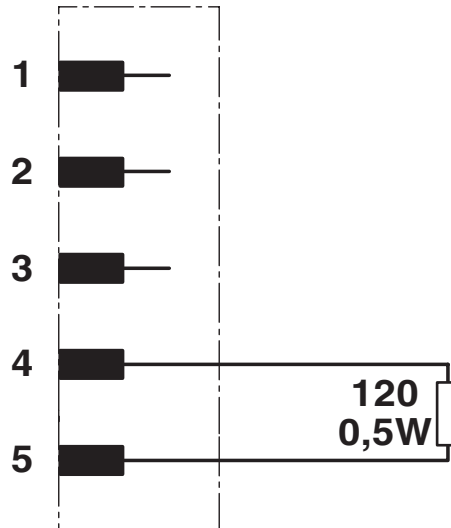
SAC-5P-MINMS TR-DN - Termination resistor



1434701

<https://www.phoenixcontact.com/us/products/1434701>

Circuit diagram



Contact assignment and wiring of the 7/8" termination resistor

SAC-5P-MINMS TR-DN - Termination resistor



1434701

<https://www.phoenixcontact.com/us/products/1434701>

Approvals

To download certificates, visit the product detail page: <https://www.phoenixcontact.com/us/products/1434701>



EAC

Approval ID: RU C-DE.AI30.B.01102



UL Listed

Approval ID: FILE E 221474

	Nominal voltage U_N	Nominal current I_N	Cross section AWG	Cross section mm^2
keine				
	60 V	-	-	-



cUL Listed

Approval ID: FILE E 221474

	Nominal voltage U_N	Nominal current I_N	Cross section AWG	Cross section mm^2
keine				
	60 V	-	-	-

SAC-5P-MINMS TR-DN - Termination resistor



1434701

<https://www.phoenixcontact.com/us/products/1434701>

Classifications

ECLASS

ECLASS-13.0	19070403
ECLASS-15.0	19070403

UNSPSC

UNSPSC 21.0	32121617
-------------	----------

SAC-5P-MINMS TR-DN - Termination resistor



1434701

<https://www.phoenixcontact.com/us/products/1434701>

Environmental product compliance

EU RoHS

Fulfills EU RoHS substance requirements	Yes
Exemption	6(c)

China RoHS

Environment friendly use period (EFUP)	EFUP-50
	An article-related China RoHS declaration table can be found in the download area for the respective article under "Manufacturer declaration". For all articles with EFUP-E, no China RoHS declaration table issued and required.

EU REACH SVHC

REACH candidate substance (CAS No.)	Lead(CAS: 7439-92-1)
-------------------------------------	----------------------

Phoenix Contact 2026 © - all rights reserved
<https://www.phoenixcontact.com>

Phoenix Contact USA
586 Fulling Mill Road
Middletown, PA 17057, United States
(+717) 944-1300
info@phoenixcon.com