

SAC-4P-MINMS/ 5,0-961/MINFRVAL - Bus system cable



1434426

<https://www.phoenixcontact.com/us/products/1434426>

Please be informed that the data shown in this PDF document is generated from our online catalog. Please find the complete data in the user documentation. Our general terms of use for downloads are valid.



Bus system cable, FOUNDATION Fieldbus (31.25 kbps), 3-position, PVC, blue RAL 5015, shielded, Plug straight 7/8"-16UNF, coding: A, on Socket angled 7/8"-16UNF, coding: A, cable length: 5 m



Commercial data

| | |
|--------------------------------------|--------------------------------|
| Item number | 1434426 |
| Packing unit | 1 pc |
| Minimum order quantity | 1 pc |
| Note | Made to order (non-returnable) |
| Product key | AF1FCG |
| GTIN | 4046356456012 |
| Weight per piece (including packing) | 222.22 g |
| Weight per piece (excluding packing) | 222.22 g |
| Country of origin | DE |

SAC-4P-MINMS/ 5,0-961/MINFRVAL - Bus system cable



1434426

<https://www.phoenixcontact.com/us/products/1434426>

Technical data

Product properties

| | |
|----------------------|-------------------------|
| Product type | Data cable preassembled |
| Application | Process technology |
| Number of positions | 3 |
| No. of cable outlets | 1 |
| Coding | A |

Insulation characteristics

| | |
|---------------------|---|
| Degree of pollution | 2 |
|---------------------|---|

Interfaces

| | |
|----------------------|---------------------------------|
| Bus system | FOUNDATION Fieldbus |
| Signal type/category | FOUNDATION Fieldbus, 31.25 kbps |

Signaling

| | |
|----------------|----|
| Status display | no |
|----------------|----|

Electrical properties

| | |
|-----------------------|---------------------------|
| Insulation resistance | $\geq 10 \text{ M}\Omega$ |
| Nominal voltage U_N | 300 V |
| Nominal current I_N | 5.2 A |
| Transmission medium | Copper |
| Transmission speed | 31.25 kbps |

Material specifications

| | |
|-------------------------------|-----------------|
| Seal material | TPU |
| Material of grip body | TPU |
| Contact material | CuZn |
| Contact surface material | Au |
| Contact carrier material | PA 66 |
| Material for screw connection | Stainless steel |

Connection data

Connection assignment

| | |
|---|-------------------------------------|
| Contact Color (signal designation) Contact (optional) | 1 (Plug) BU (DATA-) 1 (Socket) |
| | 2 (Plug) OG (DATA+) 2 (Socket) |
| | 3 (Plug) SR (shield) 3 (Socket) |

Connector

Connection 1

| | |
|------|--------------------------|
| Type | Plug straight 7/8"-16UNF |
|------|--------------------------|

SAC-4P-MINMS/ 5,0-961/MINFRVAL - Bus system cable



1434426

<https://www.phoenixcontact.com/us/products/1434426>

| | |
|---------------------|--------------|
| Number of positions | 3 |
| Coding type | A (Standard) |

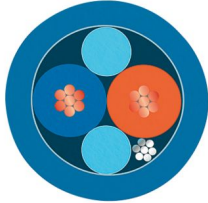
Connection 2

| | |
|---------------------|--------------------------|
| Type | Socket angled 7/8"-16UNF |
| Number of positions | 3 |
| Coding type | A (Standard) |

Cable/line

| | |
|--------------|-----|
| Cable length | 5 m |
|--------------|-----|

Fieldbus FOUNDATION/PROFIBUS PA, blue [961]

| | |
|---------------------------------|---|
| Dimensional drawing |  |
| Cable weight | 56.552 kg/km |
| Number of positions | 2 |
| Shielded | yes |
| Cable type | Fieldbus FOUNDATION/PROFIBUS PA, blue [961] |
| Conductor structure | 2xAWG18/7 + 1xAWG20/7 |
| Signal speed | 0.66 c |
| Conductor structure signal line | 7x 0.40 mm |
| AWG signal line | 18 |
| Conductor cross-section | 2x 0.75 mm ² (Signal line) 1x 0.5 mm ² (Drain wire) |
| Wire diameter incl. insulation | 2.24 mm ±0.05 mm |
| External cable diameter | 7.50 mm ±0.25 mm |
| Outer sheath, material | PVC |
| External sheath, color | blue RAL 5015 |
| Conductor material | Tin-plated Cu litz wires |
| Material wire insulation | PO (Signal line) |
| Single wire, color | blue, orange |
| Thickness, insulation | 0.50 mm |
| Thickness, outer sheath | 1.00 mm |
| Twisted pairs | 2 cores to the pair |
| Overall twist | One pair with one drain wire and fillers for core |
| Optical shield covering | 100 % |
| Max. conductor resistance | ≤ 19.35 Ω/km (Signal line) 26 Ω/km (shield) |
| Cable capacity | 147 pF/m (at 1 kHz, core/shield) |

SAC-4P-MINMS/ 5,0-961/MINFRVAL - Bus system cable



1434426

<https://www.phoenixcontact.com/us/products/1434426>

| | |
|---|---|
| | ≤ 3.94 pF/m (capacitance unbalance) |
| Working capacitance | 78 nF (at 1 kHz) |
| Cable impedance | 100 Ω ±20 % (At 31.25 kHz) |
| Nominal voltage, cable | 300 V |
| Smallest bending radius, fixed installation | 75 mm |
| Tensile strength | 260 N |
| Shield attenuation | 3.00 dB/km (at 39 kHz) |
| Flame resistance | UL 1685 (CSA FT 4) |
| | UL 1685 (vertical tray) |
| | UL 1666 (riser) |
| Special properties | UL standards PLTC-ER and ITC |
| Ambient temperature (operation) | -40 °C ... 105 °C (cable, fixed installation) |

Environmental and real-life conditions

Ambient conditions

| | |
|---|-----------------------------------|
| Degree of protection | IP67 |
| Enclosure rating (NEMA) | 1 (NEMA) |
| | 3 (NEMA) |
| | 4 (NEMA) |
| | 6P (NEMA) |
| Ambient temperature (operation) (male connector/female connector) | -40 °C ... 105 °C (Plug / socket) |

SAC-4P-MINMS/ 5,0-961/MINFRVAL - Bus system cable

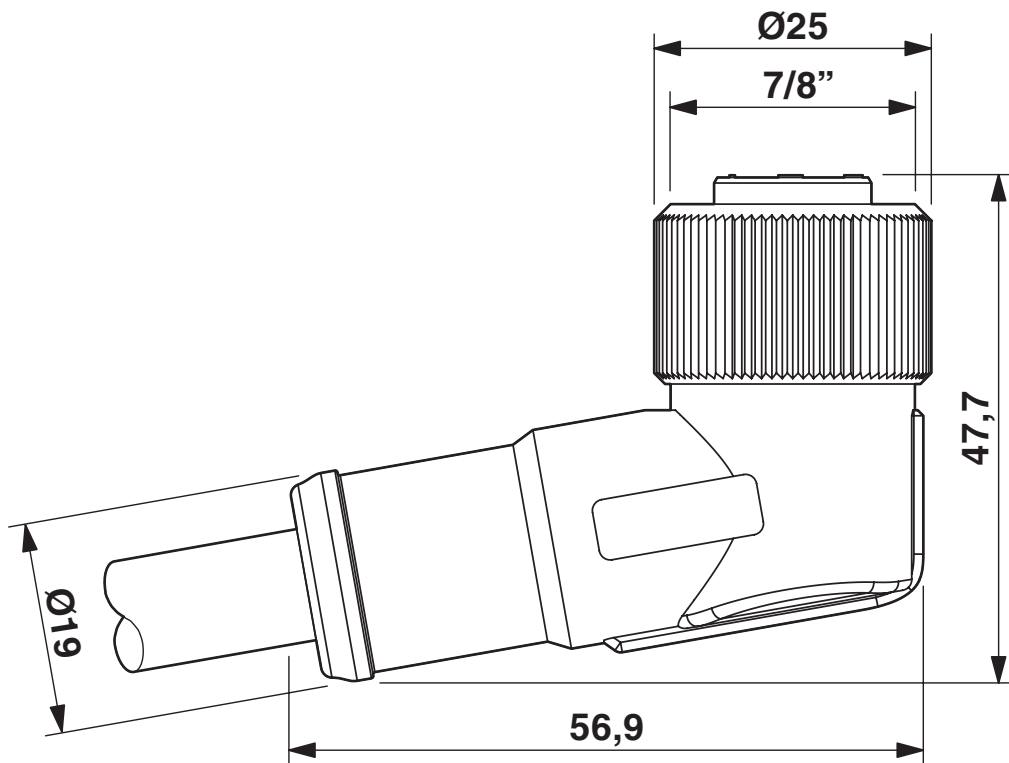


1434426

<https://www.phoenixcontact.com/us/products/1434426>

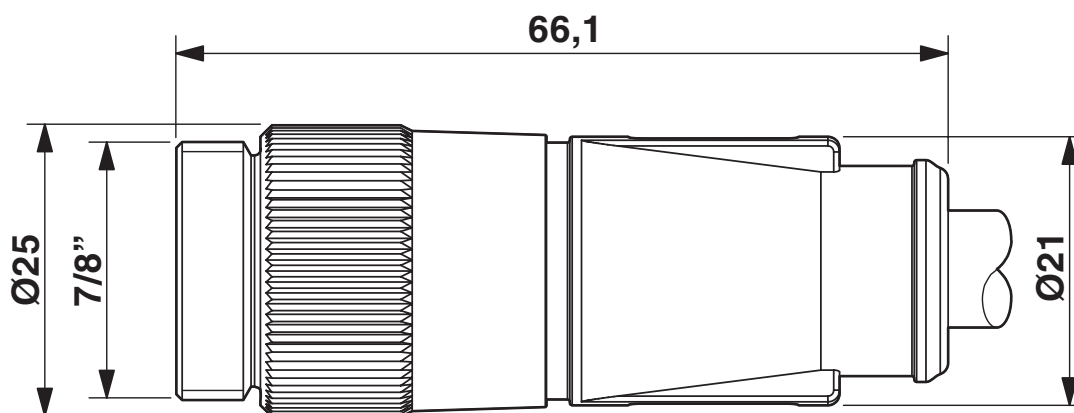
Drawings

Dimensional drawing



7/8"-16UNF socket, angled

Dimensional drawing



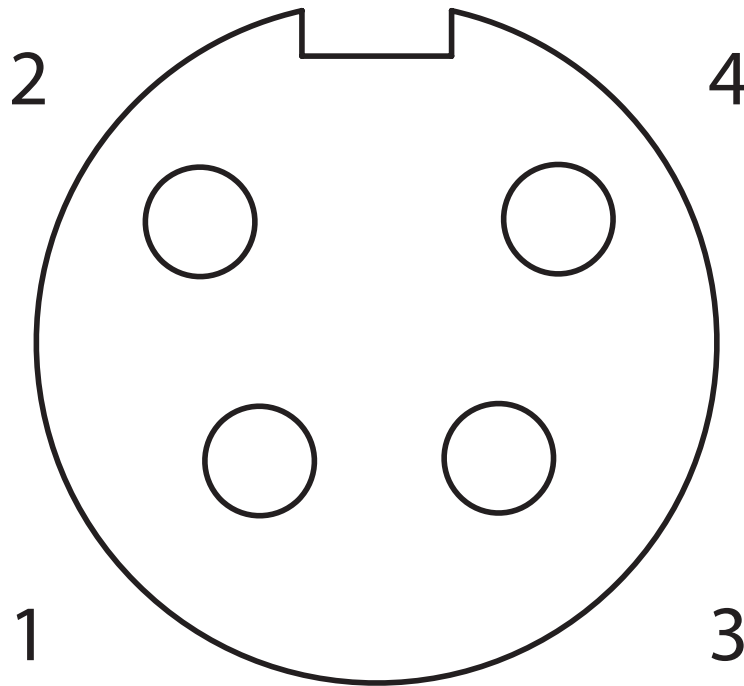
7/8"-16UNF plug, straight

SAC-4P-MINMS/ 5,0-961/MINFRVAL - Bus system cable

1434426

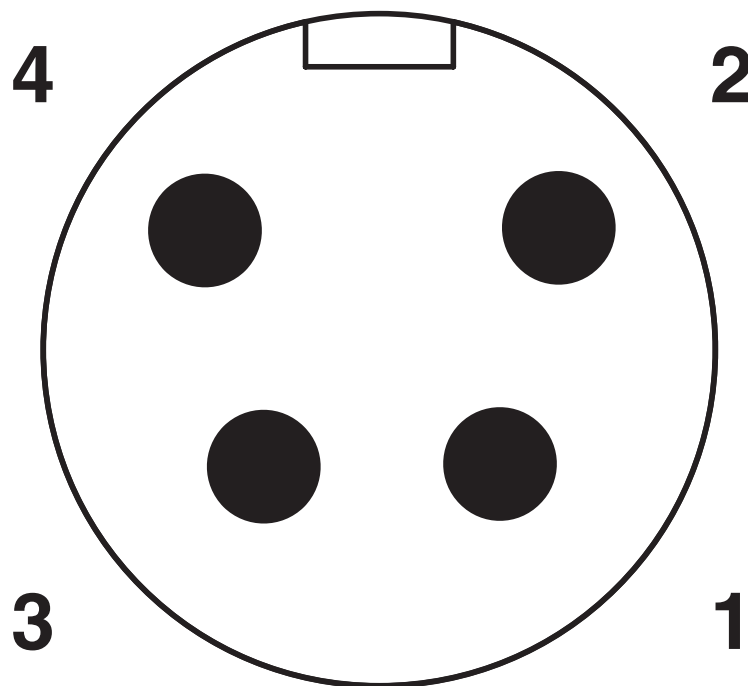
<https://www.phoenixcontact.com/us/products/1434426>

Schematic diagram



Pin assignment, socket, 7/8"-16UNF, 4-pos., view of female side

Schematic diagram



Pin assignment, plug, 7/8"-16UNF, 4-pos., view of male side

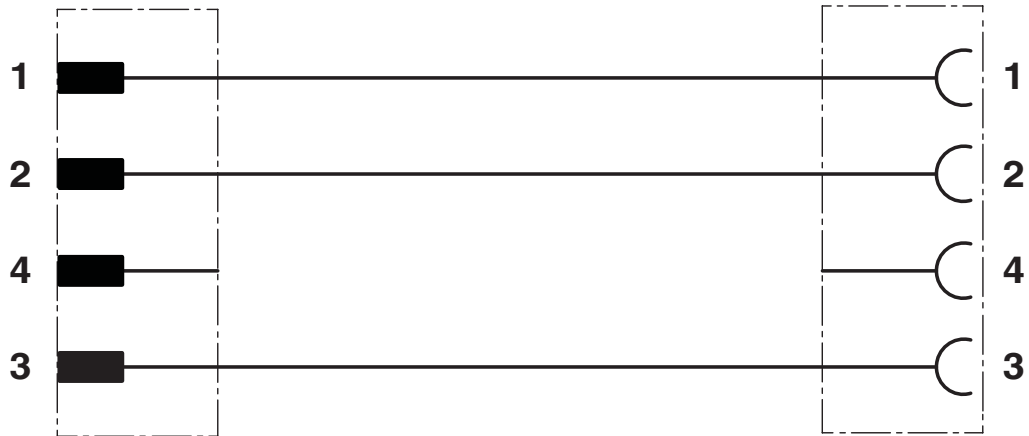
SAC-4P-MINMS/ 5,0-961/MINFRVAL - Bus system cable



1434426

<https://www.phoenixcontact.com/us/products/1434426>

Circuit diagram



Contact assignment of the 7/8" plug

SAC-4P-MINMS/ 5,0-961/MINFRVAL - Bus system cable



1434426

<https://www.phoenixcontact.com/us/products/1434426>

Classifications

ECLASS

| | |
|-------------|----------|
| ECLASS-13.0 | 27060307 |
| ECLASS-15.0 | 27060307 |

SAC-4P-MINMS/ 5,0-961/MINFRVAL - Bus system cable



1434426

<https://www.phoenixcontact.com/us/products/1434426>

Environmental product compliance

China RoHS

| | |
|--|--|
| Environment friendly use period (EFUP) | EFUP-50 An article-related China RoHS declaration table can be found in the download area for the respective article under "Manufacturer declaration". For all articles with EFUP-E, no China RoHS declaration table issued and required. |
|--|--|

EU REACH SVHC

| | |
|-------------------------------------|----------------------------|
| REACH candidate substance (CAS No.) | No substance above 0.1 wt% |
|-------------------------------------|----------------------------|

Phoenix Contact 2026 © - all rights reserved
<https://www.phoenixcontact.com>

Phoenix Contact USA
586 Fulling Mill Road
Middletown, PA 17057, United States
(+717) 944-1300
info@phoenixcon.com