

SACB- 8/4-L-C-M8 HD/5,0 PUR - Distributor box



1433574

<https://www.phoenixcontact.com/us/products/1433574>

Please be informed that the data shown in this PDF document is generated from our online catalog. Please find the complete data in the user documentation. Our general terms of use for downloads are valid.



Distributor box, application: Standard, connection method: M8 socket Metal, number of slots: 8, number of positions: 4, coding: A, slot assignment: Double, status display: yes, PNP; master cable connection: Pluggable screw connection 180°, PUR/PVC, cable length: 5 m, shielding: no

Your advantages

- Safety in the field, thanks to molded housing and high degree of protection
- Convenient: increased machine availability thanks to quick and easy diagnostics
- Flexible: distributor box with connector hood for on-site assembly
- Save space: distributor box with double occupancy for two sensors in one slot

Commercial data

Item number	1433574
Packing unit	1 pc
Minimum order quantity	1 pc
Sales key	BF03
Product key	AF3BCD
GTIN	4063151806750
Weight per piece (including packing)	1,010 g
Weight per piece (excluding packing)	1,010 g
Customs tariff number	85444290
Country of origin	DE

Technical data

Notes

Assembly note	NOTE: Observe the permissible bending radii when routing cables, since the degree of protection may be at risk if the bending forces are too high. Reduce mechanical loads upstream of the connector, e.g., by using cable ties.
Note on application	Unused slots are to be sealed off prior to commissioning. Suitable sealing elements are to be found under "Accessories".

Product properties

Product type	Distributor box
Application	Standard
Number of positions	4
Number of slots	8
Coding	A
LED	yes

Electrical properties

Max. operating voltage U_{max}	30 V DC
Nominal voltage U_N	24 V DC
Rated current, total	6 A
Max. current carrying capacity per path	2 A
Current carrying capacity per slot	2 A

Connection data

Conductor connection

Sensor/actuator connection system	M8 socket
Tightening torque, cover screw	1 Nm
Tightening torque of mounting screw for fixing the housing	0.8 Nm

Connection assignment

Slot/position = Wire color or connection	1 / 4 (A) = 1 / 4 = WH
	1 / 2 (B) = 1 / 2 = GYPK
	2 / 4 (A) = 2 / 4 = GN
	2 / 2 (B) = 2 / 2 = RDBU
	3 / 4 (A) = 3 / 4 = YE
	3 / 2 (B) = 3 / 2 = WHGN
	4 / 4 (A) = 4 / 4 = GY
	4 / 2 (B) = 4 / 2 = BNGN
	5 / 4 (A) = 5 / 4 = PK
	5 / 2 (B) = 5 / 2 = WHYE
	6 / 4 (A) = 6 / 4 = RD
	6 / 2 (B) = 6 / 2 = YEBN

SACB- 8/4-L-C-M8 HD/5,0 PUR - Distributor box



1433574

<https://www.phoenixcontact.com/us/products/1433574>

	7 / 4 (A) = 7 / 4 = BK
	7 / 2 (B) = 7 / 2 = WHGY
	8 / 4 (A) = 8 / 4 = VT
	8 / 2 (B) = 8 / 2 = GYBN
	1-8 / 1 (+ 24 V) = U _N = BN
	1-8 / 3 (0 V) = 0 V = BU

Signaling

Status display present	yes
------------------------	-----

Dimensions

Dimensional drawing	
Width	30 mm
Height	49 mm
Length	181 mm

Material specifications

Material Threaded sleeve	Cu alloy
Material Housing	PBT
Material Molding compound	PUR
Seal material O-ring	FKM
Seal material	FKM
Contact material	CuZn
Contact surface material	Ni/Au
Contact carrier material	PBT
Material of contact, master cable side	CU alloy
Material of the contact carrier on the master cable side	PA
Material of contact surface, master cable side	tin-plated

Cable/line

Cable length	5 m
--------------	-----


PUR/PVC black [PUR]

SACB- 8/4-L-C-M8 HD/5,0 PUR - Distributor box



1433574

<https://www.phoenixcontact.com/us/products/1433574>

Dimensional drawing	
Cable weight	92 kg/km
UL AWM Style	20549
Number of positions	10
Shielded	no
Cable type	PUR/PVC black [PUR]
Conductor structure signal line	19x 0.15 mm
AWG signal line	22
Conductor structure, voltage supply	42x 0.15 mm
AWG power supply	18
Conductor cross-section	8x 0.34 mm ² (Signal line) 2x 0.75 mm ² (power line)
Wire diameter incl. insulation	1.3 mm ±0.1 mm (Signal line) 1.8 mm ±0.1 mm (power line)
External cable diameter	7.90 mm ±0.2 mm
Outer sheath, material	PUR
External sheath, color	black RAL 9005
Conductor material	Bare Cu litz wires
Material wire insulation	PVC
Single wire, color	brown, blue, white, green, yellow, gray, pink, red, black, violet
Inner sheath thickness	≥ 0.15 mm
Thickness, outer sheath	≥ 0.38 mm
Overall twist	Wires twisted in layers
Nominal voltage, cable	300 V
Test voltage	2000 V
Minimum bending radius, fixed installation	7.5 x D
Minimum bending radius, flexible installation	10 x D
Smallest bending radius, fixed installation	60 mm
Smallest bending radius, movable installation	79 mm
Dynamic load capacity (bending)	Max. bending cycles: 1500000, Bending radius: 79 mm, Traversing path: 2 m, Traversing rate: 2 m/s
Flame resistance	DIN EN 50265
Resistance to oil	according to VDE 0472 Part 803
Other resistance	Highly resistant to acids, alkaline solutions and solvents
Special properties	Silicone-free
Ambient temperature (operation)	-40 °C ... 90 °C (cable, fixed installation) -5 °C ... 80 °C (Cable, flexible installation)

SACB- 8/4-L-C-M8 HD/5,0 PUR - Distributor box



1433574

<https://www.phoenixcontact.com/us/products/1433574>

	80 °C (in acc. with UL)
--	-------------------------

Environmental and real-life conditions

Ambient conditions

Degree of protection	IP67
Ambient temperature (operation)	-25 °C ... 80 °C

Standards and regulations

Standard designation	M8 connector
Standards/specifications	IEC 61076-2-104

SACB- 8/4-L-C-M8 HD/5,0 PUR - Distributor box

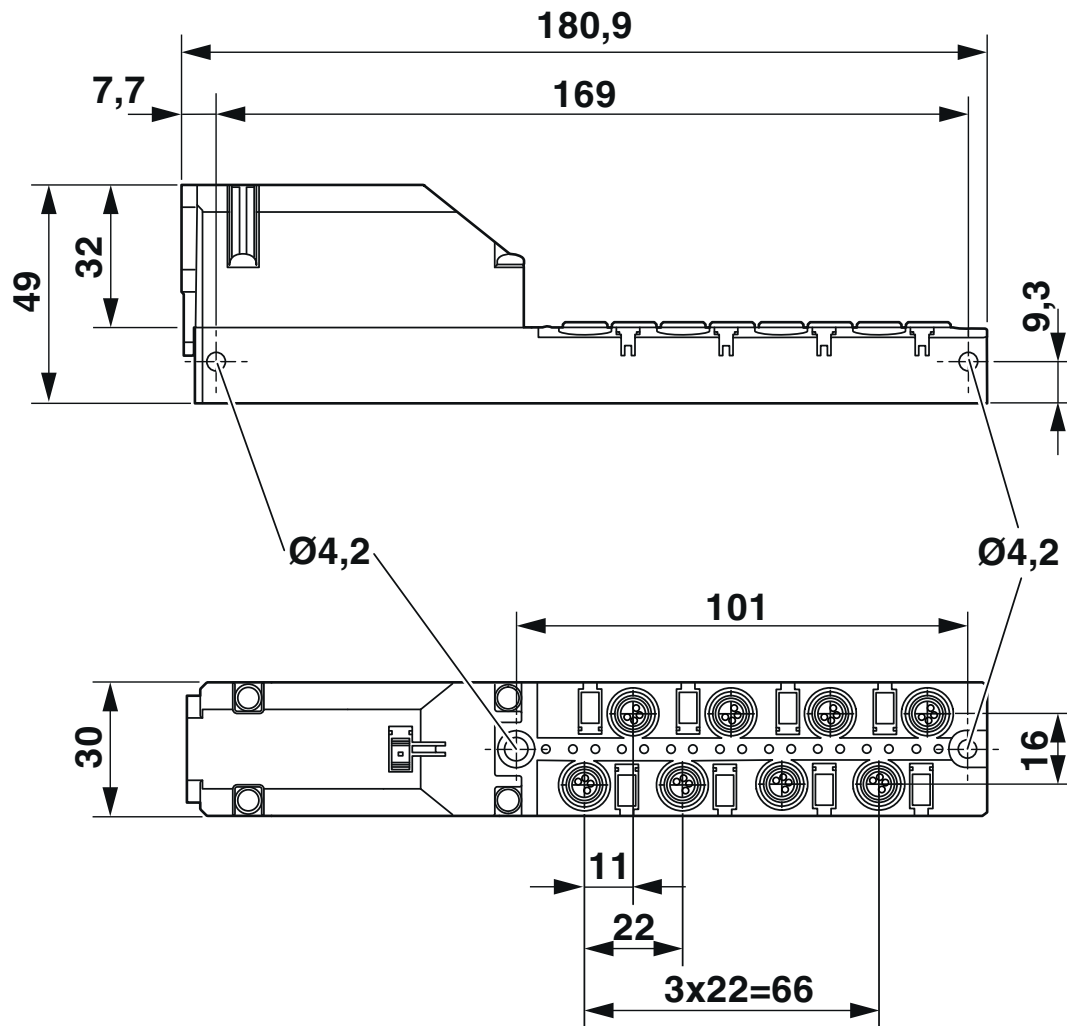


1433574

<https://www.phoenixcontact.com/us/products/1433574>

Drawings

Dimensional drawing



SACB- 8/4-L-C-M8 HD/5,0 PUR - Distributor box

1433574

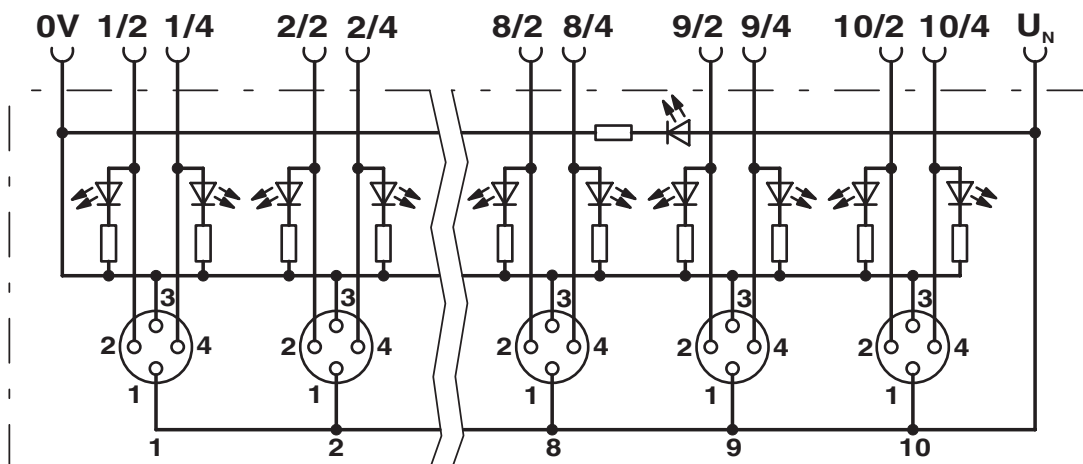
<https://www.phoenixcontact.com/us/products/1433574>

Schematic diagram



M8 slot, socket, 4-pos.

Circuit diagram



SACB- 8/4-L-C-M8 HD/5,0 PUR - Distributor box



1433574

<https://www.phoenixcontact.com/us/products/1433574>

Classifications

ECLASS

ECLASS-13.0	27440111
ECLASS-15.0	27440111

ETIM

ETIM 10.0	EC003558
-----------	----------

UNSPSC

UNSPSC 21.0	31251500
-------------	----------

1433574

<https://www.phoenixcontact.com/us/products/1433574>

Environmental product compliance

EU RoHS

Fulfills EU RoHS substance requirements	Yes
Exemption	6(c)

China RoHS

Environment friendly use period (EFUP)	EFUP-50
	An article-related China RoHS declaration table can be found in the download area for the respective article under "Manufacturer declaration". For all articles with EFUP-E, no China RoHS declaration table issued and required.

EU REACH SVHC

REACH candidate substance (CAS No.)	Lead(CAS: 7439-92-1)
SCIP	ba39c18e-dcde-47f3-95df-bec0f8ecab21

Phoenix Contact 2026 © - all rights reserved

<https://www.phoenixcontact.com>

Phoenix Contact USA
586 Fulling Mill Road
Middletown, PA 17057, United States
(+717) 944-1300
info@phoenixcon.com