

# VS-ASI-J-Y-N-M12FS-LC - Distributor



1433155

<https://www.phoenixcontact.com/us/products/1433155>

Please be informed that the data shown in this PDF document is generated from our online catalog. Please find the complete data in the user documentation. Our general terms of use for downloads are valid.



AS-Interface distributor with IP67 protection for one flat-ribbon conductor, with a straight, A-coded, 2-pos. M12 socket

## Commercial data

Item number	1433155
Packing unit	1 pc
Minimum order quantity	1 pc
Sales key	BF10
Product key	AF1GFA
GTIN	4046356346245
Weight per piece (including packing)	18.69 g
Weight per piece (excluding packing)	17.08 g
Customs tariff number	85366990
Country of origin	DE

1433155

<https://www.phoenixcontact.com/us/products/1433155>

## Technical data

### Product properties

Product type	Network distributor box
Number of positions	2
Coding	A

### Insulation characteristics

Overvoltage category	II
Degree of pollution	3

### Electrical properties

Nominal voltage $U_N$	$\leq 32$ V DC
Nominal current $I_N$	4 A
Transmission medium	Copper

### Connection data

#### Connection technology

Connection method	AS-i penetration technique
-------------------	----------------------------

### Interfaces

Bus system	AS-Interface
------------	--------------

### Signaling

Status display	no
Status display present	no

### Material specifications

Seal material	Neoprene
	FKM

### Connector

#### Connection 1

Type	Load center AS-i Screw locking
Number of positions	2
Locking type	Screw locking mechanism
Material	CuZn (Contact)
	Sn (Contact surface)
	PA (Contact carrier)
	PA (Housing)

#### Connection 2

Type	Socket straight M12
Number of positions	2 (5)

1433155

<https://www.phoenixcontact.com/us/products/1433155>

Material	Zinc die-cast, nickel-plated (Screw connection)
Insertion/withdrawal cycles	≥ 100
Tightening torque	0.4 Nm

## Environmental and real-life conditions

### Ambient conditions

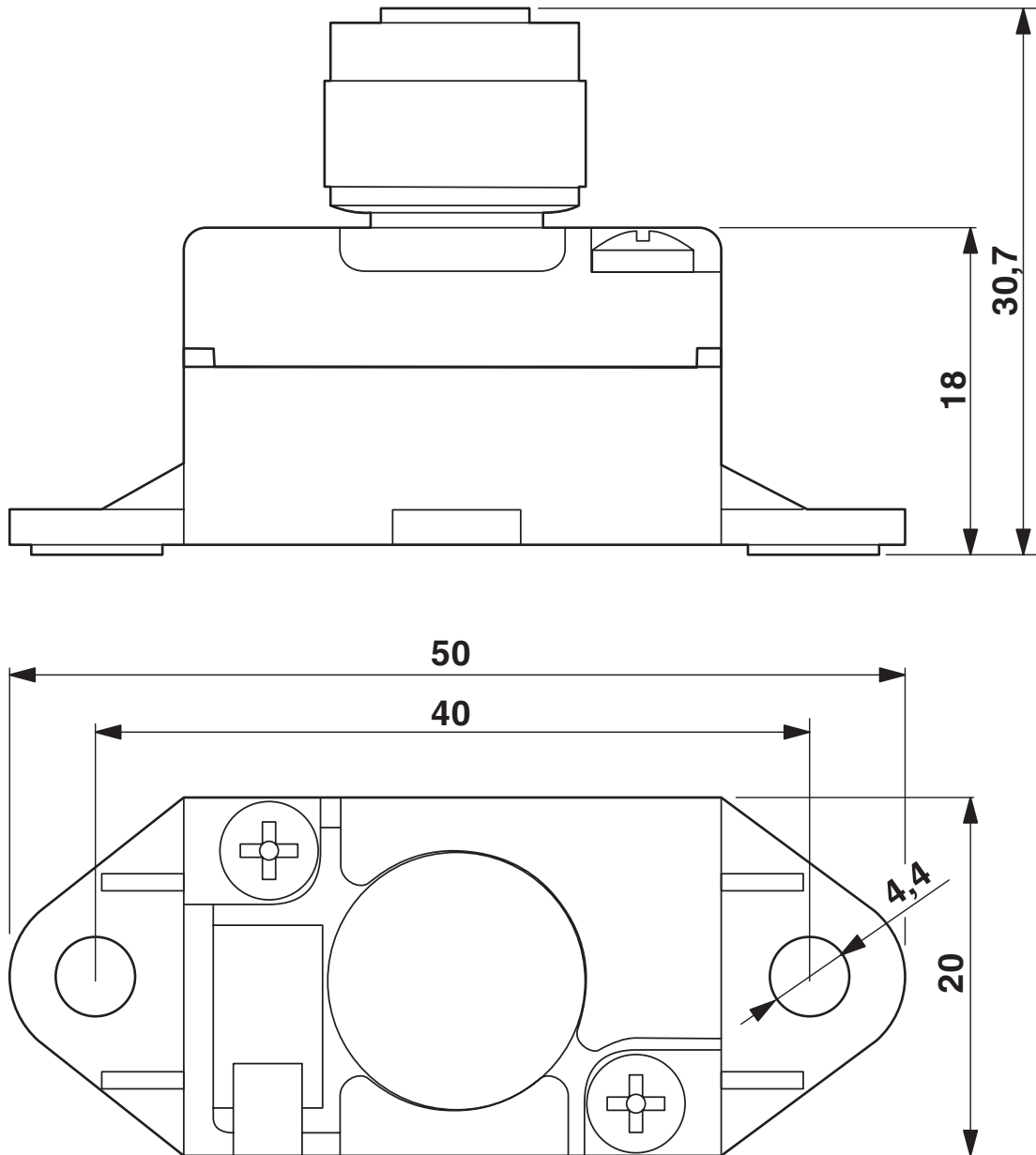
Degree of protection	IP67
Ambient temperature (operation) (male connector/female connector)	-25 °C ... 70 °C
Ambient temperature (storage/transport)	-25 °C ... 70 °C

## Standards and regulations

Standard designation	M12 connector
Standards/specifications	IEC 61076-2-101

Drawings

Dimensional drawing



1433155

<https://www.phoenixcontact.com/us/products/1433155>

Schematic diagram



Pin assignment M12, PIN 1: AS-i +, PIN 3: AS-i -, PIN 2,4,5: Not used

1433155

<https://www.phoenixcontact.com/us/products/1433155>

## Classifications

### ECLASS

ECLASS-13.0	27440106
ECLASS-15.0	27440106

### ETIM

ETIM 10.0	EC002925
-----------	----------

### UNSPSC

UNSPSC 21.0	31251500
-------------	----------

1433155

<https://www.phoenixcontact.com/us/products/1433155>

## Environmental product compliance

### EU RoHS

Fulfills EU RoHS substance requirements	Yes
Exemption	6(c)

### China RoHS

Environment friendly use period (EFUP)	EFUP-50
	An article-related China RoHS declaration table can be found in the download area for the respective article under "Manufacturer declaration". For all articles with EFUP-E, no China RoHS declaration table issued and required.

### EU REACH SVHC

REACH candidate substance (CAS No.)	Lead(CAS: 7439-92-1)
SCIP	57f80308-905b-4c4a-8e2e-07e73c387e77

### EF3.1 Climate Change

CO2e kg	1.034 kg CO2e
---------	---------------

Phoenix Contact 2026 © - all rights reserved  
<https://www.phoenixcontact.com>

Phoenix Contact USA  
586 Fulling Mill Road  
Middletown, PA 17057, United States  
(+717) 944-1300  
[info@phoenixcon.com](mailto:info@phoenixcon.com)