

SAC-4P-M12MS FF TR VA - Termination resistor



1431403

<https://www.phoenixcontact.com/us/products/1431403>

Please be informed that the data shown in this PDF document is generated from our online catalog. Please find the complete data in the user documentation. Our general terms of use for downloads are valid.

FOUNDATION Fieldbus™ termination resistor, 4-pos., M12 connector, high-grade steel knurl



Commercial data

| | |
|--------------------------------------|---------------|
| Item number | 1431403 |
| Packing unit | 5 pc |
| Minimum order quantity | 5 pc |
| Sales key | BF10 |
| Product key | AF1GVX |
| GTIN | 4046356431644 |
| Weight per piece (including packing) | 12.06 g |
| Weight per piece (excluding packing) | 12.06 g |
| Customs tariff number | 85332100 |
| Country of origin | PL |

SAC-4P-M12MS FF TR VA - Termination resistor



1431403

<https://www.phoenixcontact.com/us/products/1431403>

Technical data

Product properties

| | |
|---------------------|-------------------|
| Product type | Terminal resistor |
| Number of positions | 4 |

Insulation characteristics

| | |
|----------------------|----|
| Overvoltage category | II |
| Degree of pollution | 3 |

Electrical properties

| | |
|--------------------------------|----------|
| Insulation resistance | ≥ 100 MΩ |
| Nominal voltage U _N | 24 V AC |
| | 24 V DC |

General

| | |
|----------------------|--|
| Termination resistor | 100 Ω (Contact 1 and 2, with 1 μF capacitor) |
|----------------------|--|

Signaling

| | |
|------------------------|----|
| Status display | no |
| Status display present | no |

Material specifications

| | |
|--|---|
| Flammability rating according to UL 94 | HB |
| Seal material | NBR |
| Material of grip body | TPU, hardly inflammable, self-extinguishing |
| Contact material | CuZn |
| Contact surface material | Ni/Au |
| Contact carrier material | TPU GF |
| Material for screw connection | Stainless steel |

Connector

Connection 1

| | |
|---------------------|-------------------|
| Type | Plug straight M12 |
| Number of positions | 4 |

Mechanical properties

Mechanical data

| | |
|-----------------------------|-------|
| Insertion/withdrawal cycles | ≥ 100 |
|-----------------------------|-------|

Environmental and real-life conditions

Ambient conditions

| | |
|--|------|
| | IP65 |
|--|------|

SAC-4P-M12MS FF TR VA - Termination resistor



1431403

<https://www.phoenixcontact.com/us/products/1431403>

| | |
|---|----------------------------------|
| Degree of protection | IP67 |
| | IP68 |
| | IP69K |
| Ambient temperature (operation) (male connector/female connector) | -25 °C ... 90 °C (Plug / socket) |

SAC-4P-M12MS FF TR VA - Termination resistor

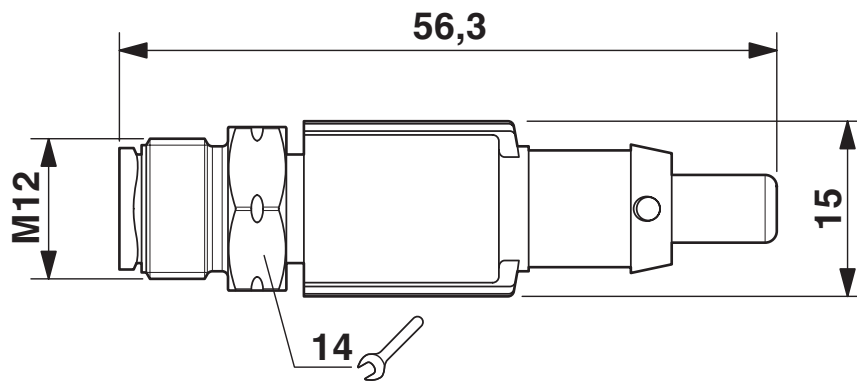


1431403

<https://www.phoenixcontact.com/us/products/1431403>

Drawings

Dimensional drawing



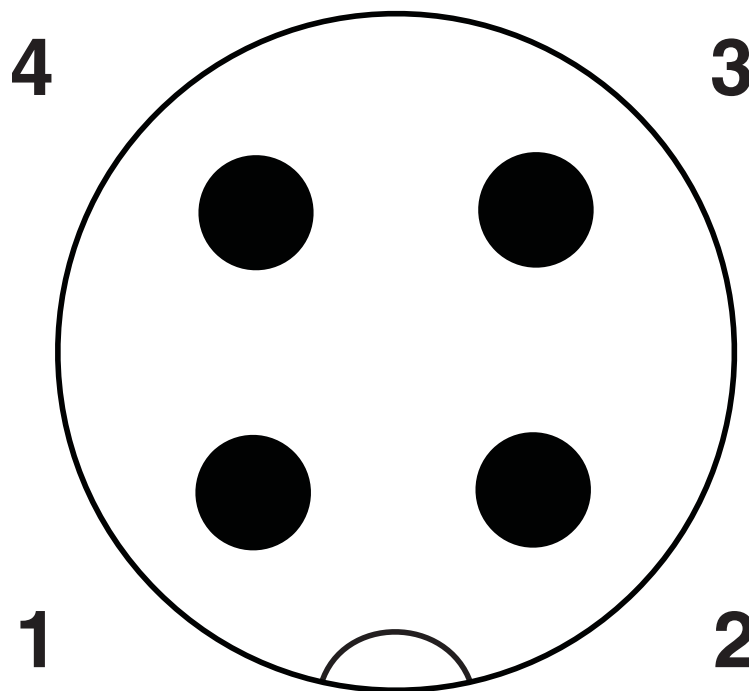
M12 termination resistor

SAC-4P-M12MS FF TR VA - Termination resistor

1431403

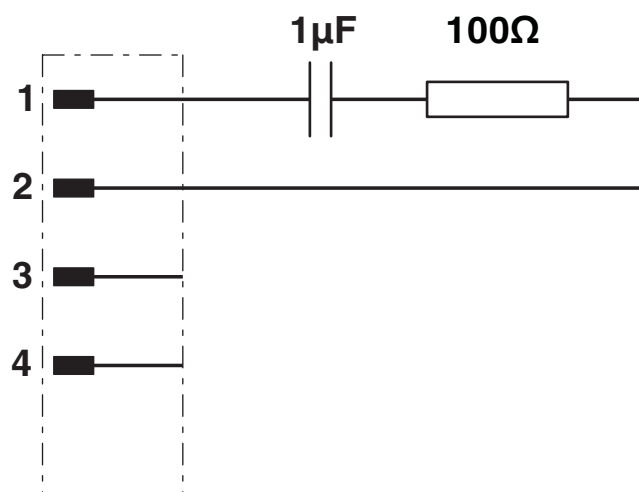
<https://www.phoenixcontact.com/us/products/1431403>

Schematic diagram



Pin assignment M12 male connector, 4-pos., D-coded, male side

Circuit diagram



Contact assignment and wiring of the M12 FFB termination resistor

SAC-4P-M12MS FF TR VA - Termination resistor



1431403

<https://www.phoenixcontact.com/us/products/1431403>

Classifications

ECLASS

| | |
|-------------|----------|
| ECLASS-13.0 | 19070403 |
| ECLASS-15.0 | 19070403 |

ETIM

| | |
|-----------|----------|
| ETIM 10.0 | EC000448 |
|-----------|----------|

UNSPSC

| | |
|-------------|----------|
| UNSPSC 21.0 | 32121600 |
|-------------|----------|

SAC-4P-M12MS FF TR VA - Termination resistor



1431403

<https://www.phoenixcontact.com/us/products/1431403>

Environmental product compliance

EU RoHS

| | |
|---|--------------------|
| Fulfills EU RoHS substance requirements | Yes, No exemptions |
|---|--------------------|

China RoHS

| | |
|--|--|
| Environment friendly use period (EFUP) | EFUP-E |
| | No hazardous substances above the limits |

EU REACH SVHC

| | |
|-------------------------------------|----------------------------|
| REACH candidate substance (CAS No.) | No substance above 0.1 wt% |
|-------------------------------------|----------------------------|

EF3.1 Climate Change

| | |
|---------|--------------|
| CO2e kg | 0.88 kg CO2e |
|---------|--------------|

Phoenix Contact 2026 © - all rights reserved
<https://www.phoenixcontact.com>

Phoenix Contact USA
586 Fulling Mill Road
Middletown, PA 17057, United States
(+717) 944-1300
info@phoenixcon.com