

SAC-4P- 5,0-960/M12FS VA - Bus system cable



1431225

<https://www.phoenixcontact.com/us/products/1431225>

Please be informed that the data shown in this PDF document is generated from our online catalog. Please find the complete data in the user documentation. Our general terms of use for downloads are valid.



Bus system cable, FOUNDATION Fieldbus (31.25 kbps), 3-position, PVC, orange RAL 2003, shielded, free cable end, on Socket straight M12, coding: A, cable length: 5 m



Commercial data

| | |
|--------------------------------------|---------------|
| Item number | 1431225 |
| Packing unit | 1 pc |
| Minimum order quantity | 1 pc |
| Sales key | BF04 |
| Product key | AF1CCG |
| GTIN | 4046356431705 |
| Weight per piece (including packing) | 347.4 g |
| Weight per piece (excluding packing) | 347.4 g |
| Customs tariff number | 85444290 |
| Country of origin | DE |

SAC-4P- 5,0-960/M12FS VA - Bus system cable



1431225

<https://www.phoenixcontact.com/us/products/1431225>

Technical data

Notes

| | |
|---------|---|
| General | Further products with variable cable type and variable cable length can be found in the accessories section |
|---------|---|

Product properties

| | |
|----------------------|-------------------------|
| Product type | Data cable preassembled |
| Application | Process technology |
| Sensor type | FOUNDATION Fieldbus |
| Number of positions | 3 |
| No. of cable outlets | 1 |
| Shielded | yes |
| Coding | A |

Insulation characteristics

| | |
|----------------------|----|
| Overvoltage category | II |
| Degree of pollution | 3 |

Interfaces

| | |
|----------------------|---------------------------------|
| Bus system | FOUNDATION Fieldbus |
| Signal type/category | FOUNDATION Fieldbus, 31.25 kbps |

Signaling

| | |
|------------------------|----|
| Status display | no |
| Status display present | no |

Electrical properties

| | |
|-----------------------|----------------------------|
| Insulation resistance | $\geq 100 \text{ M}\Omega$ |
| Nominal voltage U_N | 48 V AC |
| | 60 V DC |
| Nominal current I_N | 4 A |
| Transmission medium | Copper |
| Transmission speed | 31.25 kbps |

Mechanical properties

Mechanical data

| | |
|-----------------------------|------------|
| Insertion/withdrawal cycles | ≥ 100 |
|-----------------------------|------------|

Material specifications

| | |
|--|-----|
| Flammability rating according to UL 94 | HB |
| Seal material | NBR |

Connection data

SAC-4P- 5,0-960/M12FS VA - Bus system cable



1431225

<https://www.phoenixcontact.com/us/products/1431225>

Connection assignment

| | |
|---|--------------------------|
| Contact Color (signal designation) Contact (optional) | 1 (Socket) BU (DATA-) |
| | 2 (Socket) OG (DATA+) |
| | 3 (Socket) SR (shield) |

Connector

Connection 1

| | |
|------|----------------|
| Type | free cable end |
|------|----------------|

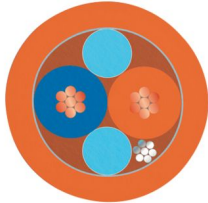
Connection 2

| | |
|------|----------------|
| Type | free cable end |
|------|----------------|

Cable/line

| | |
|--------------|-----|
| Cable length | 5 m |
|--------------|-----|

FOUNDATION Fieldbus orange [960]

| | |
|---------------------------------|--|
| Dimensional drawing |  |
| Cable weight | 56.552 kg/km |
| Number of positions | 2 |
| Shielded | yes |
| Cable type | FOUNDATION Fieldbus orange [960] |
| Conductor structure | 2xAWG18/7 + 1xAWG20/7 |
| Signal speed | 0.66 c |
| Conductor structure signal line | 7x 0.40 mm |
| AWG signal line | 18 |
| Conductor cross-section | 2x 0.75 mm ² (Signal line) 1x 0.5 mm ² (Drain wire) |
| Wire diameter incl. insulation | 2.24 mm ±0.05 mm |
| External cable diameter | 7.50 mm ±0.25 mm |
| Outer sheath, material | PVC |
| External sheath, color | orange RAL 2003 |
| Conductor material | Tin-plated Cu litz wires |
| Material wire insulation | PO (Signal line) |
| Single wire, color | blue, orange |
| Thickness, insulation | 0.50 mm |
| Thickness, outer sheath | 1.00 mm |
| Twisted pairs | 2 cores to the pair |

SAC-4P- 5,0-960/M12FS VA - Bus system cable



1431225

<https://www.phoenixcontact.com/us/products/1431225>

| | |
|---|---|
| Overall twist | One pair with one drain wire and fillers for core |
| Optical shield covering | 100 % |
| Max. conductor resistance | ≤ 19.35 Ω/km (Signal line) 26 Ω/km (shield) |
| Cable capacity | 147 pF/m (at 1 kHz, core/shield) ≤ 3.94 pF/m (capacitance unbalance) |
| Working capacitance | 78 nF (at 1 kHz) |
| Cable impedance | 100 Ω ±20 % (At 31.25 kHz) |
| Nominal voltage, cable | 300 V |
| Smallest bending radius, fixed installation | 75 mm |
| Tensile strength | 260 N |
| Shield attenuation | 3.00 dB/km (at 39 kHz) |
| Flame resistance | UL 1685 (CSA FT 4) UL 1685 (vertical tray) UL 1666 (riser) |
| Special properties | UL standards PLTC-ER and ITC |
| Ambient temperature (operation) | -40 °C ... 105 °C (cable, fixed installation) |

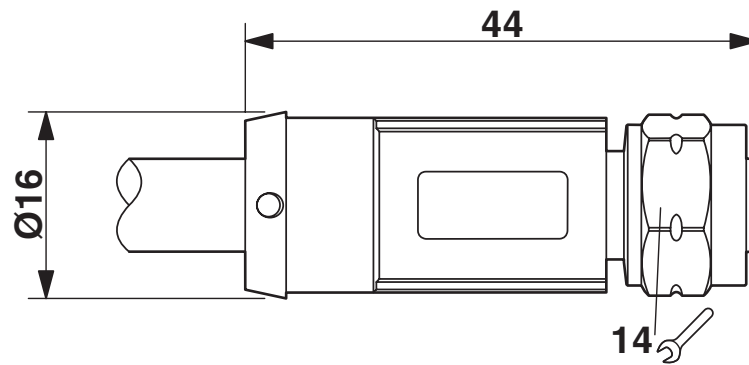
SAC-4P- 5,0-960/M12FS VA - Bus system cable

1431225

<https://www.phoenixcontact.com/us/products/1431225>

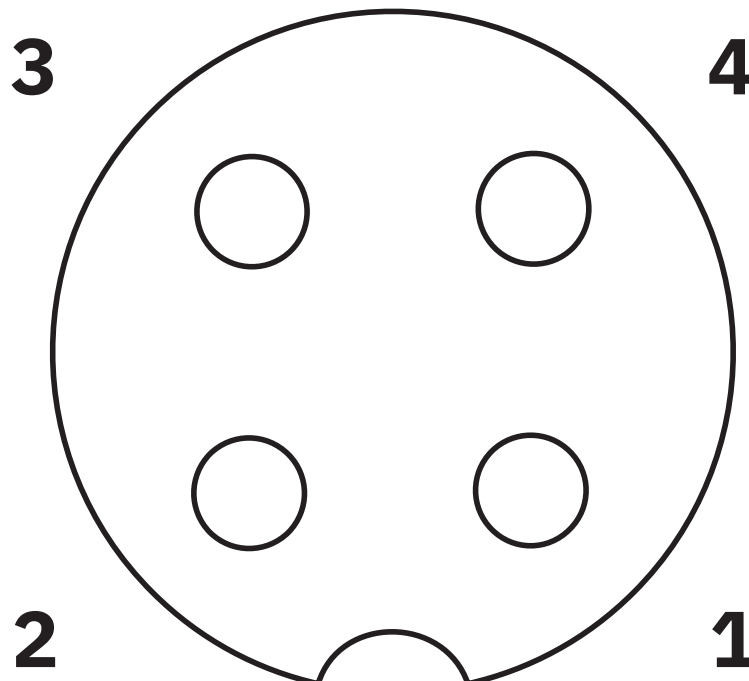
Drawings

Dimensional drawing



M12 x 1 socket, straight

Schematic diagram



Pin assignment M12 socket, 4-pos., A-coded, view female side

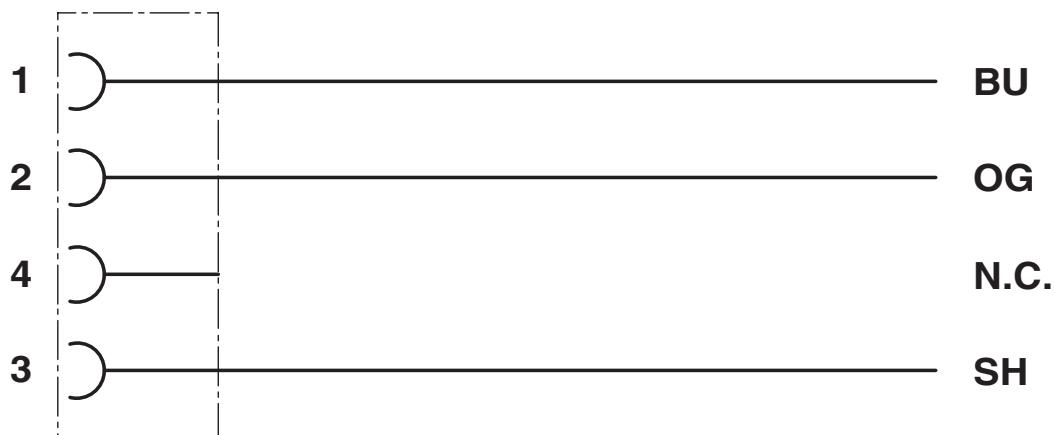
SAC-4P- 5,0-960/M12FS VA - Bus system cable



1431225

<https://www.phoenixcontact.com/us/products/1431225>

Circuit diagram



Contact assignment of the M12 socket

SAC-4P- 5,0-960/M12FS VA - Bus system cable



1431225

<https://www.phoenixcontact.com/us/products/1431225>

Classifications

ECLASS

| | |
|-------------|----------|
| ECLASS-13.0 | 27060307 |
| ECLASS-15.0 | 27060307 |

ETIM

| | |
|----------|----------|
| ETIM 9.0 | EC001855 |
|----------|----------|

UNSPSC

| | |
|-------------|----------|
| UNSPSC 21.0 | 26121600 |
|-------------|----------|

SAC-4P- 5,0-960/M12FS VA - Bus system cable



1431225

<https://www.phoenixcontact.com/us/products/1431225>

Environmental product compliance

EU RoHS

| | |
|---|--------------------|
| Fulfills EU RoHS substance requirements | Yes, No exemptions |
|---|--------------------|

China RoHS

| | |
|--|--|
| Environment friendly use period (EFUP) | EFUP-E |
| | No hazardous substances above the limits |

EU REACH SVHC

| | |
|-------------------------------------|----------------------------|
| REACH candidate substance (CAS No.) | No substance above 0.1 wt% |
|-------------------------------------|----------------------------|

Phoenix Contact 2026 © - all rights reserved
<https://www.phoenixcontact.com>

Phoenix Contact USA
586 Fulling Mill Road
Middletown, PA 17057, United States
(+717) 944-1300
info@phoenixcon.com