

PROT-M12 MS-PA-CHAIN - Screw plug



1430899

<https://www.phoenixcontact.com/us/products/1430899>

Please be informed that the data shown in this PDF document is generated from our online catalog. Please find the complete data in the user documentation. Our general terms of use for downloads are valid.

M12 sealing cap with fixing band, for sensor cables, for free M12 sockets



Commercial data

| | |
|--------------------------------------|---------------|
| Item number | 1430899 |
| Packing unit | 5 pc |
| Minimum order quantity | 1 pc |
| Sales key | BF46 |
| Product key | AF1ZAX |
| GTIN | 4046356332835 |
| Weight per piece (including packing) | 4.1 g |
| Weight per piece (excluding packing) | 3.82 g |
| Customs tariff number | 39269097 |
| Country of origin | DE |

PROT-M12 MS-PA-CHAIN - Screw plug



1430899

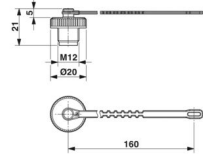
<https://www.phoenixcontact.com/us/products/1430899>

Technical data

Product properties

| | |
|--------------|----------------|
| Product type | Protective cap |
| Thread type | M12 |

Dimensions

| | |
|---------------------|--|
| Dimensional drawing |  |
| Diameter | 20 mm |

Material specifications

| | |
|--|--------------------|
| Material | PUR (Holding band) |
| Flammability rating according to UL 94 | V0 |
| Seal material | NBR |
| Material for screw connection | PA 6.6 |

Environmental and real-life conditions

Ambient conditions

| | |
|---|------------------|
| Degree of protection | IP65 |
| | IP67 |
| Ambient temperature (operation) (male connector/female connector) | -25 °C ... 85 °C |

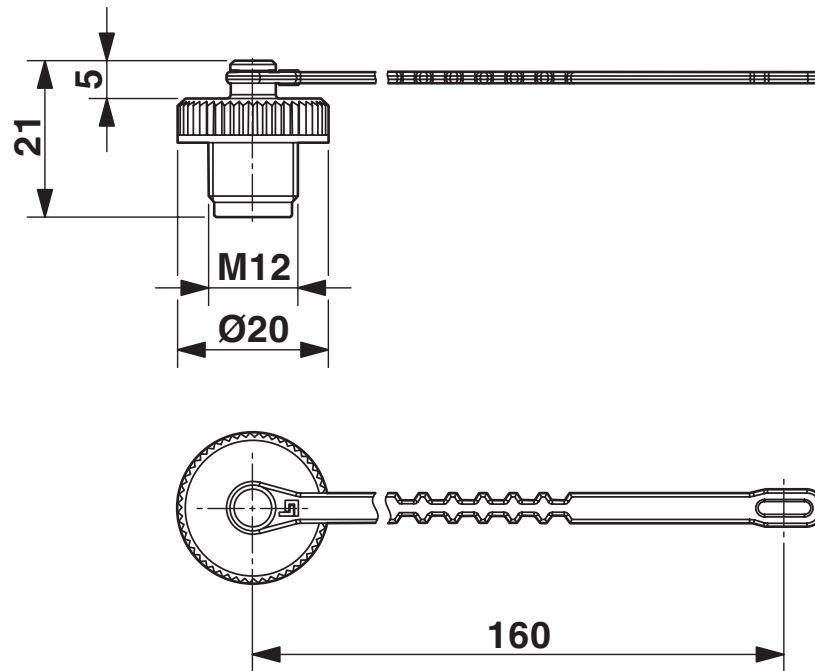
PROT-M12 MS-PA-CHAIN - Screw plug

1430899

<https://www.phoenixcontact.com/us/products/1430899>

Drawings

Dimensional drawing



Dimensional drawing

PROT-M12 MS-PA-CHAIN - Screw plug



1430899

<https://www.phoenixcontact.com/us/products/1430899>

Classifications

ECLASS

| | |
|-------------|----------|
| ECLASS-13.0 | 23111190 |
| ECLASS-15.0 | 27440208 |

ETIM

| | |
|-----------|----------|
| ETIM 10.0 | EC002943 |
|-----------|----------|

UNSPSC

| | |
|-------------|----------|
| UNSPSC 21.0 | 31261500 |
|-------------|----------|

PROT-M12 MS-PA-CHAIN - Screw plug



1430899

<https://www.phoenixcontact.com/us/products/1430899>

Environmental product compliance

EU RoHS

| | |
|---|--------------------|
| Fulfills EU RoHS substance requirements | Yes, No exemptions |
|---|--------------------|

China RoHS

| | |
|--|--|
| Environment friendly use period (EFUP) | EFUP-E |
| | No hazardous substances above the limits |

EU REACH SVHC

| | |
|-------------------------------------|----------------------------|
| REACH candidate substance (CAS No.) | No substance above 0.1 wt% |
|-------------------------------------|----------------------------|

EF3.1 Climate Change

| | |
|---------|---------------|
| CO2e kg | 0.209 kg CO2e |
|---------|---------------|

Phoenix Contact 2026 © - all rights reserved
<https://www.phoenixcontact.com>

Phoenix Contact USA
586 Fulling Mill Road
Middletown, PA 17057, United States
(+717) 944-1300
info@phoenixcon.com