

SAC-12P-MR/10,0-35T SH SCO - Sensor/actuator cable



1430116

<https://www.phoenixcontact.com/us/products/1430116>

Please be informed that the data shown in this PDF document is generated from our online catalog. Please find the complete data in the user documentation. Our general terms of use for downloads are valid.



Sensor/actuator cable, 12-position, PUR/PVC, black RAL 9005, shielded, Plug angled M12 SPEEDCON, coding: A, on free cable end, cable length: 10 m

Your advantages

- Easy and safe: 100 % electrically tested plug-in components
- Save time, thanks to installation with SPEEDCON fast locking system
- Save space – with high-pos. connectors
- Reliable signal transmission – 360° shielding in environments with electromagnetic interference

Commercial data

| | |
|--------------------------------------|---------------|
| Item number | 1430116 |
| Packing unit | 1 pc |
| Minimum order quantity | 1 pc |
| Sales key | BF03 |
| Product key | AF1CNA |
| GTIN | 4046356322386 |
| Weight per piece (including packing) | 937.4 g |
| Weight per piece (excluding packing) | 900 g |
| Customs tariff number | 85444290 |
| Country of origin | DE |

SAC-12P-MR/10,0-35T SH SCO - Sensor/actuator cable



1430116

<https://www.phoenixcontact.com/us/products/1430116>

Technical data

Product properties

| | |
|----------------------|-----------------------|
| Product type | Sensor/actuator cable |
| Application | Standard |
| Number of positions | 12 |
| No. of cable outlets | 1 |
| Shielded | yes |
| Coding | A |

Insulation characteristics

| | |
|----------------------|----|
| Overvoltage category | II |
| Degree of pollution | 3 |

Material specifications

| | |
|--|---|
| Flammability rating according to UL 94 | V0 |
| Material of grip body | TPU, hardly inflammable, self-extinguishing |
| Contact material | CuZn |
| Contact surface material | Ni/Au |
| Contact carrier material | PA 6.6 |
| Material for screw connection | Zinc die-cast, nickel-plated |

Electrical properties

| | |
|-----------------------|---------------------------|
| Insulation resistance | $\geq 10 \text{ M}\Omega$ |
| Nominal voltage U_N | 30 V AC |
| | 30 V DC |
| Nominal current I_N | 1.5 A |

Signaling

| | |
|------------------------|----|
| Status display | no |
| Status display present | no |

Connection data

Conductor connection

| | |
|-------------------|------------------------|
| Tightening torque | 0.4 Nm (M12 connector) |
|-------------------|------------------------|

Connector

Connection 1

| | |
|---------------------|--------------------------|
| Type | Plug angled M12 SPEEDCON |
| Number of positions | 12 |
| Locking type | SPEEDCON |
| Coding type | A |

Connection 2

SAC-12P-MR/10,0-35T SH SCO - Sensor/actuator cable

1430116

<https://www.phoenixcontact.com/us/products/1430116>

| | |
|------|----------------|
| Type | free cable end |
|------|----------------|

Cable/line

| | |
|--------------|------|
| Cable length | 10 m |
|--------------|------|

Black PUR/PVC twisted pair [35T]

| | |
|---|---|
| Dimensional drawing |  |
| Cable weight | 87 kg/km |
| UL AWM Style | 20233 / 1061 (80°C/300 V) |
| Number of positions | 12 |
| Shielded | yes |
| Cable type | Black PUR/PVC twisted pair [35T] |
| Conductor structure signal line | 18x 0.10 mm |
| AWG signal line | 26 |
| Conductor cross-section | 12x 0.14 mm ² (Signal line) |
| Wire diameter incl. insulation | 1 mm ±0.05 mm (Signal line) |
| External cable diameter | 8.50 mm ±0.2 mm |
| Outer sheath, material | PUR |
| External sheath, color | black RAL 9005 |
| Conductor material | Tin-plated Cu litz wires |
| Material wire insulation | PVC |
| Single wire, color | white-brown, green-yellow, gray-pink, blue-red, black-violet, gray/pink-red/blue |
| Twisted pairs | 2 cores to the pair |
| Overall twist | Six pairs around the filler to the core |
| Optical shield covering | 85 % |
| Max. conductor resistance | ≤ 142 Ω/km (at 20 °C) |
| Insulation resistance | ≥ 10 MΩ*km (at 20 °C) |
| Nominal voltage, cable | 42 V AC |
| Test voltage | 1500 V AC |
| Minimum bending radius, fixed installation | 5 x D |
| Minimum bending radius, flexible installation | 10 x D |
| Smallest bending radius, fixed installation | 43 mm |
| Smallest bending radius, movable installation | 85 mm |
| Dynamic load capacity (bending) | Max. bending cycles: 2000000, Bending radius: 85 mm, Traversing path: 10 m, Traversing rate: 3 m/s, Acceleration: 10 m/s ² |
| Flame resistance | According to DIN EN 60332-1-2 |

SAC-12P-MR/10,0-35T SH SCO - Sensor/actuator cable



1430116

<https://www.phoenixcontact.com/us/products/1430116>

| | |
|---------------------------------|--|
| | According to VW-1 |
| Resistance to oil | in accordance with DIN EN 60811-2-1 |
| Other resistance | hydrolysis and microbe resistant (in accordance with EN 50396) |
| Special properties | Flexible cable conduit capable |
| Ambient temperature (operation) | -40 °C ... 80 °C (cable, fixed installation) -5 °C ... 80 °C (Cable, flexible installation) |

Environmental and real-life conditions

Ambient conditions

| | |
|---|--|
| Degree of protection | IP65 IP67 |
| Ambient temperature (operation) (male connector/female connector) | -25 °C ... 85 °C (Plug / socket) |
| Ambient temperature (operation) (Cable, fixed installation) | -40 °C ... 80 °C (cable, fixed installation) |
| Ambient temperature (operation) (Cable, flexible installation) | -5 °C ... 80 °C (Cable, flexible installation) |

Standards and regulations

| | |
|--------------------------|-----------------|
| Standard designation | M12 connector |
| Standards/specifications | IEC 61076-2-101 |

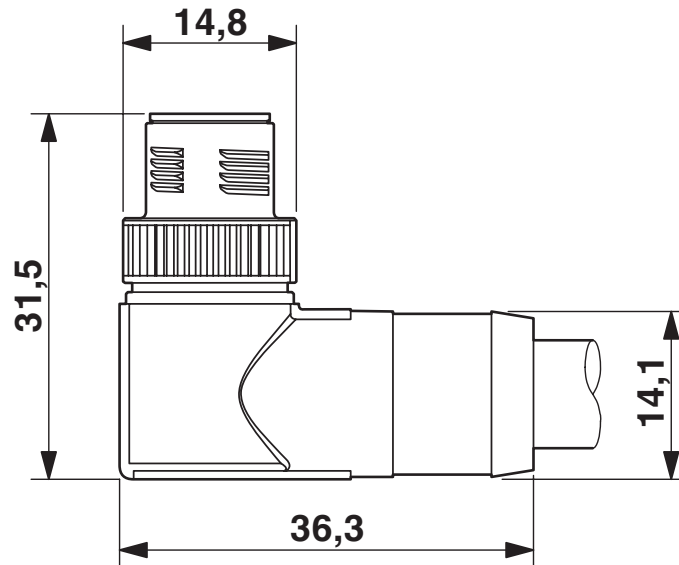
SAC-12P-MR/10,0-35T SH SCO - Sensor/actuator cable

1430116

<https://www.phoenixcontact.com/us/products/1430116>

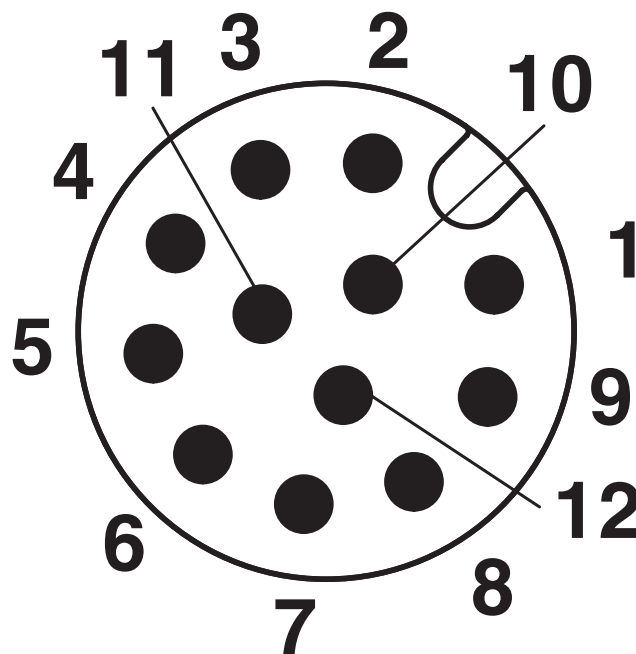
Drawings

Dimensional drawing



Plug M12 SPEEDCON, angled, shielded

Schematic diagram



Pin assignment M12 male connector, 12-pos., male side view

SAC-12P-MR/10,0-35T SH SCO - Sensor/actuator cable



1430116

<https://www.phoenixcontact.com/us/products/1430116>

Circuit diagram



Contact assignment of the M12 plug

SAC-12P-MR/10,0-35T SH SCO - Sensor/actuator cable




1430116

<https://www.phoenixcontact.com/us/products/1430116>

Approvals

To download certificates, visit the product detail page: <https://www.phoenixcontact.com/us/products/1430116>

|  UL Listed Approval ID: E221474 | | | | |
|--|-----------------------|-----------------------|-------------------|-----------------------------|
| | Nominal voltage U_N | Nominal current I_N | Cross section AWG | Cross section mm^2 |
| keine | | | | |
| | 30 V | 1 A | - | - |

|  EAC-RoHS Approval ID: RU D-DE.HB35.B.00387 | |
|--|--|
|--|--|

SAC-12P-MR/10,0-35T SH SCO - Sensor/actuator cable



1430116

<https://www.phoenixcontact.com/us/products/1430116>

Classifications

ECLASS

| | |
|-------------|----------|
| ECLASS-13.0 | 27060311 |
| ECLASS-15.0 | 27060311 |

ETIM

| | |
|-----------|----------|
| ETIM 10.0 | EC001855 |
|-----------|----------|

UNSPSC

| | |
|-------------|----------|
| UNSPSC 21.0 | 26121600 |
|-------------|----------|

SAC-12P-MR/10,0-35T SH SCO - Sensor/actuator cable



1430116

<https://www.phoenixcontact.com/us/products/1430116>

Environmental product compliance

EU RoHS

| | |
|---|--------------------|
| Fulfills EU RoHS substance requirements | Yes, No exemptions |
|---|--------------------|

China RoHS

| | |
|--|--|
| Environment friendly use period (EFUP) | EFUP-E |
| | No hazardous substances above the limits |

EU REACH SVHC

| | |
|-------------------------------------|----------------------------|
| REACH candidate substance (CAS No.) | No substance above 0.1 wt% |
|-------------------------------------|----------------------------|

EF3.1 Climate Change

| | |
|---------|----------------|
| CO2e kg | 11.466 kg CO2e |
|---------|----------------|

Phoenix Contact 2026 © - all rights reserved
<https://www.phoenixcontact.com>

Phoenix Contact USA
586 Fulling Mill Road
Middletown, PA 17057, United States
(+717) 944-1300
info@phoenixcon.com