

# SAC-4P-MIN-T/2XMIN FF VA - Bus system T-connector



1430035

<https://www.phoenixcontact.com/us/products/1430035>

Please be informed that the data shown in this PDF document is generated from our online catalog. Please find the complete data in the user documentation. Our general terms of use for downloads are valid.

Bus system T-distributor, 4-pos., FOUNDATION Fieldbus™, 7/8"-16UNF socket on 7/8"-16UNF socket and 7/8"-16UNF plug, high-grade steel knurl



## Commercial data

Item number	1430035
Packing unit	1 pc
Note	Made to order (non-returnable)
Sales key	BF10
Product key	AF1GCA
GTIN	4046356319225
Weight per piece (including packing)	103.6 g
Weight per piece (excluding packing)	99.8 g
Customs tariff number	85366990
Country of origin	DE

# SAC-4P-MIN-T/2XMIN FF VA - Bus system T-connector



1430035

<https://www.phoenixcontact.com/us/products/1430035>

## Technical data

### Product properties

Product type	T-distributor
Number of positions	4
Thread type	7/8"

### Insulation characteristics

Overvoltage category	II
Degree of pollution	3

### Electrical properties

Insulation resistance	≥ 10 MΩ
Nominal voltage U <sub>N</sub>	250 V AC
	250 V DC
Nominal current I <sub>N</sub>	5.2 A

### Signaling

Status display	no
Status display present	no

### Material specifications

Flammability rating according to UL 94	HB
Material of grip body	TPU
Contact material	CuZn
Contact surface material	Au
Contact carrier material	PA 6.6
Material for screw connection	Stainless steel

### Environmental and real-life conditions

#### Ambient conditions

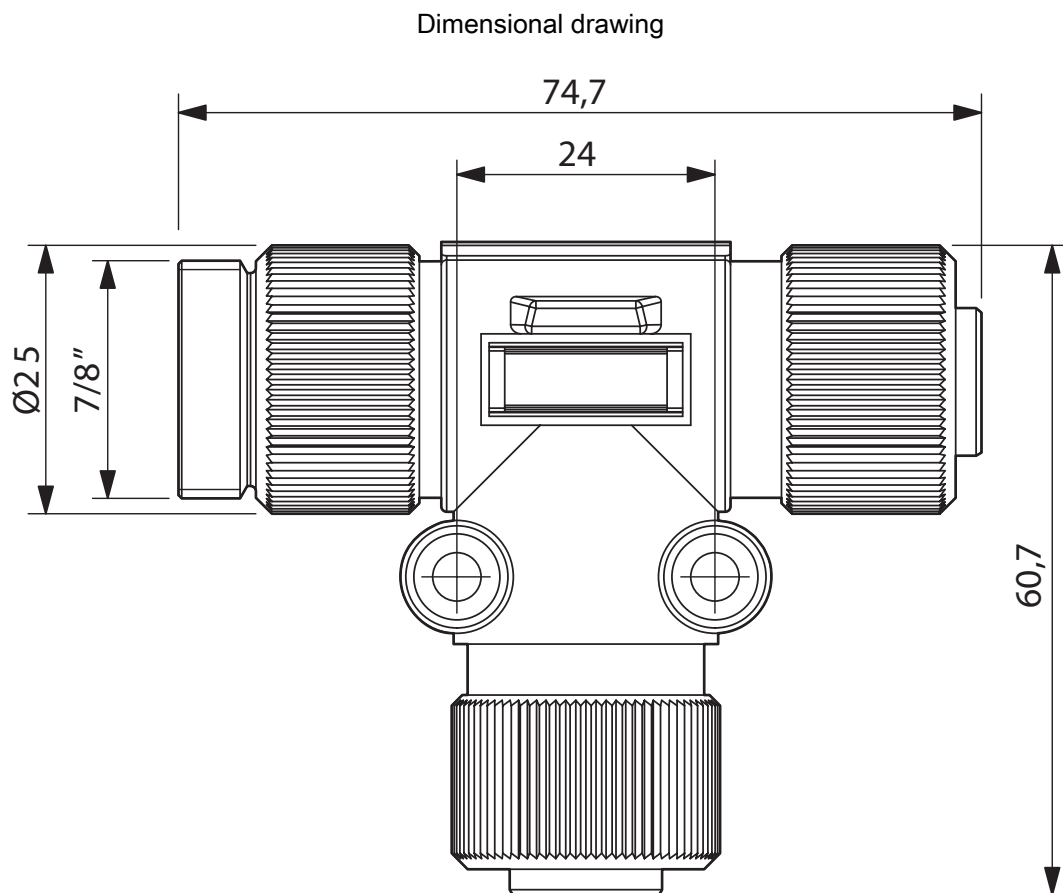
Degree of protection	IP67
Ambient temperature (operation) (male connector/female connector)	-40 °C ... 105 °C

# SAC-4P-MIN-T/2XMIN FF VA - Bus system T-connector

1430035

<https://www.phoenixcontact.com/us/products/1430035>

## Drawings



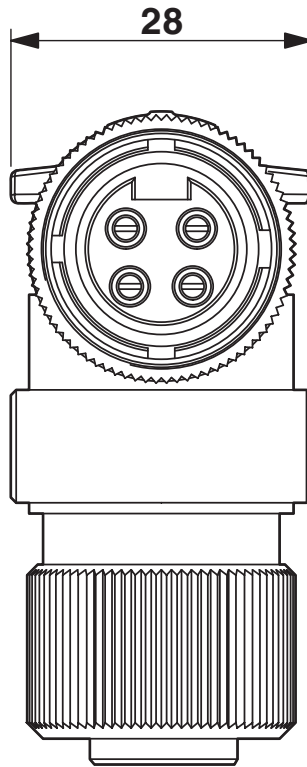
T-distributor 7/8", top view

# SAC-4P-MIN-T/2XMIN FF VA - Bus system T-connector

1430035

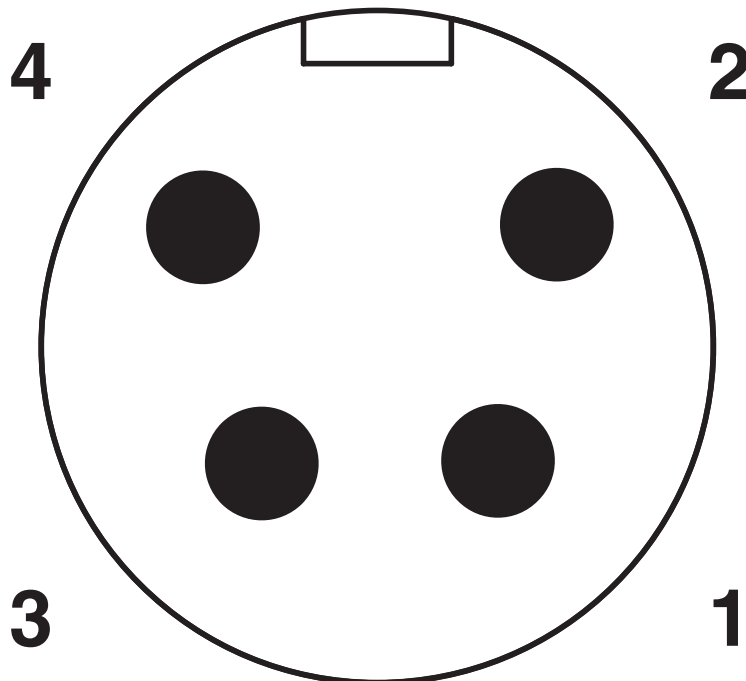
<https://www.phoenixcontact.com/us/products/1430035>

Dimensional drawing



T-distributor 7/8", lateral view

Schematic diagram



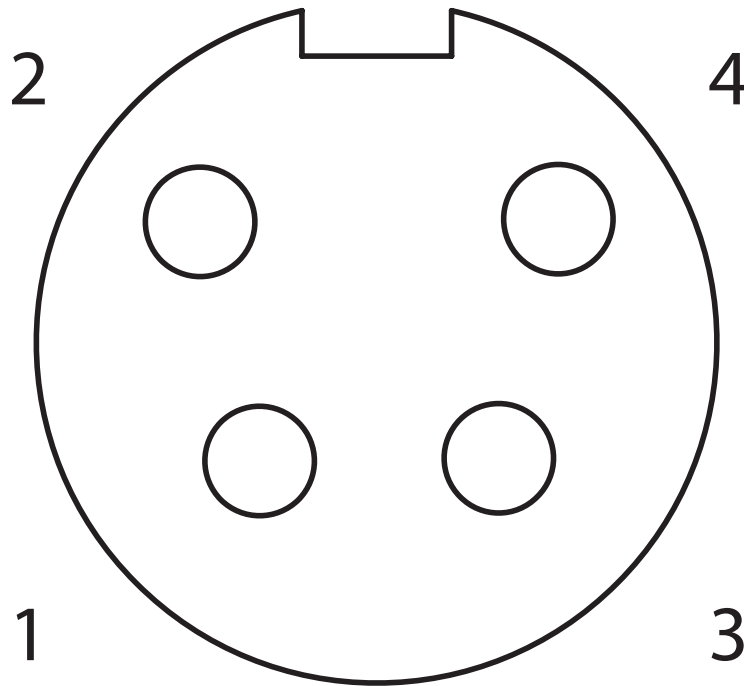
Pin assignment, plug, 7/8"-16UNF, 4-pos., view of male side

# SAC-4P-MIN-T/2XMIN FF VA - Bus system T-connector

1430035

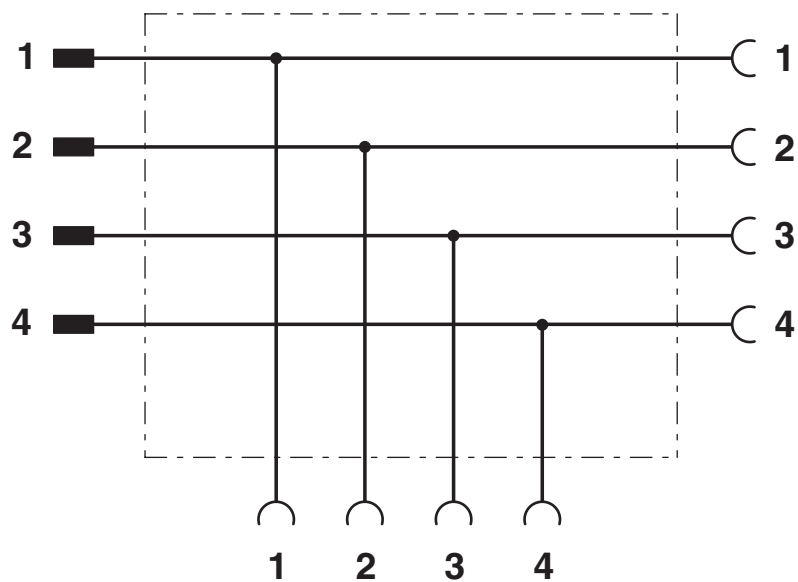
<https://www.phoenixcontact.com/us/products/1430035>

Schematic diagram



Pin assignment, socket, 7/8"-16UNF, 4-pos., view of female side

Circuit diagram



Contact assignment of the 7/8" T-distributor

# SAC-4P-MIN-T/2XMIN FF VA - Bus system T-connector



1430035

<https://www.phoenixcontact.com/us/products/1430035>

## Classifications

### ECLASS

ECLASS-13.0	27440106
ECLASS-15.0	27440106

# SAC-4P-MIN-T/2XMIN FF VA - Bus system T-connector



1430035

<https://www.phoenixcontact.com/us/products/1430035>

## Environmental product compliance

### China RoHS

Environment friendly use period (EFUP)	EFUP-50 An article-related China RoHS declaration table can be found in the download area for the respective article under "Manufacturer declaration". For all articles with EFUP-E, no China RoHS declaration table issued and required.
--	--

### EU REACH SVHC

REACH candidate substance (CAS No.)	No substance above 0.1 wt%
-------------------------------------	----------------------------

Phoenix Contact 2026 © - all rights reserved  
<https://www.phoenixcontact.com>

Phoenix Contact USA  
586 Fulling Mill Road  
Middletown, PA 17057, United States  
(+717) 944-1300  
[info@phoenixcon.com](mailto:info@phoenixcon.com)