

# SACC-M12FR-6Q SH VARAN - Data connector



1429169

<https://www.phoenixcontact.com/us/products/1429169>

Please be informed that the data shown in this PDF document is generated from our online catalog. Please find the complete data in the user documentation. Our general terms of use for downloads are valid.

Data connector, VARAN, 6-position, shielded, Socket angled M12, coding: A, Insulation displacement connection, knurl material: Brass, nickel-plated, external cable diameter 4 mm ... 8 mm



## Your advantages

- Safe use in the field, thanks to a high degree of protection
- Insulation displacement connection: innovative and time-saving assembly without stripping the single wire
- Reliable signal transmission – 360° shielding in environments with electromagnetic interference

## Commercial data

Item number	1429169
Packing unit	1 pc
Minimum order quantity	1 pc
Note	Made to order (non-returnable)
Sales key	BF31
Product key	AF2CDM
GTIN	4046356323123
Weight per piece (including packing)	55.1 g
Weight per piece (excluding packing)	55.1 g
Customs tariff number	85366990
Country of origin	DE

# SACC-M12FR-6Q SH VARAN - Data connector



1429169

<https://www.phoenixcontact.com/us/products/1429169>

## Technical data

### Notes

Assembly note	<b>NOTE:</b> Observe the permissible bending radii when routing cables, since the degree of protection may be at risk if the bending forces are too high. Reduce mechanical loads upstream of the connector, e.g., by using cable ties.
---------------	---

### Mounting

Assembly note	The connector pin assignment can be rotated 45° to the cable outlet
---------------	---

### Product properties

Product type	Circular connector (cable-side)
Application	Data
Number of positions	6
No. of cable outlets	1
Shielded	yes
Coding	A
Cable outlet	angled

### Insulation characteristics

Overvoltage category	II
Degree of pollution	3

### Dimensions

#### External dimensions

Outside diameter	4 mm ... 8 mm
------------------	---------------

### Material specifications

Flammability rating according to UL 94	V0
Seal material	Neoprene
Material of grip body	Zinc die-cast, nickel-plated
Contact material	CuSn
Contact surface material	Ni/Au
Contact carrier material	PA 6
Material for screw connection	Brass, nickel-plated

### Connection data

#### Conductor connection

Connection method	Insulation displacement connection
Connection cross section	0.14 mm <sup>2</sup> ... 0.34 mm <sup>2</sup>
Connection cross section AWG	26 ... 22
	0.4 Nm (M12 knurl)

# SACC-M12FR-6Q SH VARAN - Data connector



1429169

<https://www.phoenixcontact.com/us/products/1429169>

Tightening torque	0.8 Nm (Connector with coupling sleeve)
	3 Nm (Pressure nut with coupling sleeve)

## Electrical properties

Contact resistance	$\leq 5 \text{ m}\Omega$
Insulation resistance	$\geq 100 \text{ M}\Omega$
Nominal voltage $U_N$	30 V AC
	30 V DC
Nominal current $I_N$	2 A

## Mechanical properties

### Mechanical data

Insertion/withdrawal cycles	$\geq 100$
-----------------------------	------------

## Connector

### Connection 1

Head design	Socket
Head cable outlet	angled
Head thread type	M12
Coding	A

## Cable/line

Signal type/category	VARAN
----------------------	-------

## Environmental and real-life conditions

### Ambient conditions

Degree of protection	IP67
Ambient temperature (operation) (male connector/female connector)	-40 °C ... 85 °C

## Standards and regulations

### M12

Standard designation	M12 connector
Standards/specifications	according to IEC 61076-2-101

# SACC-M12FR-6Q SH VARAN - Data connector

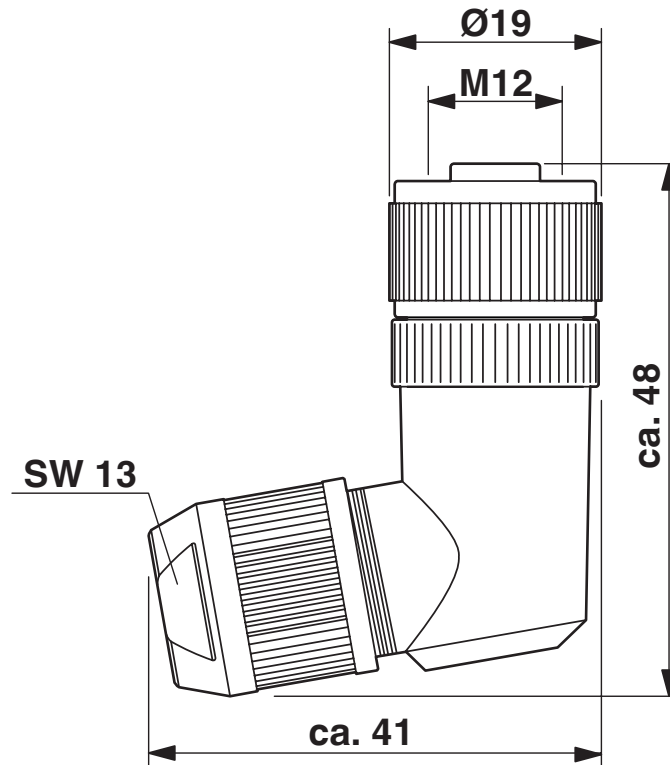


1429169

<https://www.phoenixcontact.com/us/products/1429169>

## Drawings

Dimensional drawing



M12 x 1 socket, angled, shielded

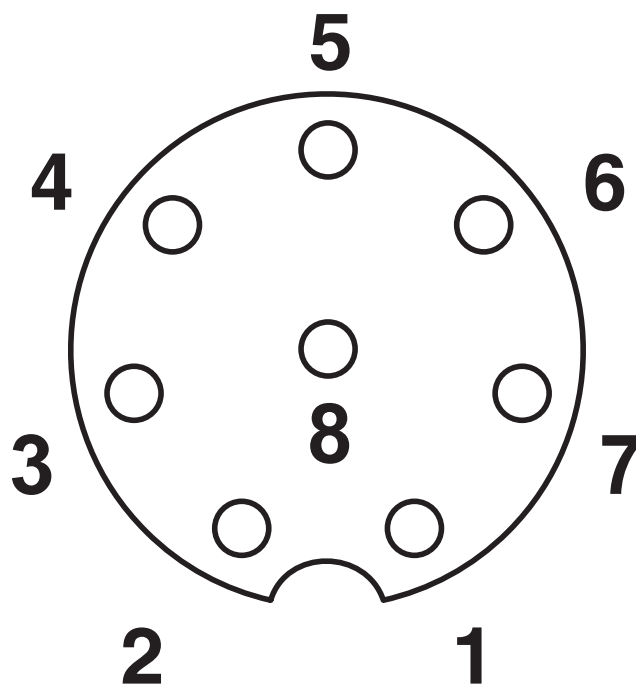
# SACC-M12FR-6Q SH VARAN - Data connector

1429169

<https://www.phoenixcontact.com/us/products/1429169>



Schematic diagram



M12 socket pin assignment, 6-pos., socket side view

# SACC-M12FR-6Q SH VARAN - Data connector



1429169

<https://www.phoenixcontact.com/us/products/1429169>

## Approvals

To download certificates, visit the product detail page: <https://www.phoenixcontact.com/us/products/1429169>



**EAC**

Approval ID: RU C-DE.AI30.B.01102

# SACC-M12FR-6Q SH VARAN - Data connector



1429169

<https://www.phoenixcontact.com/us/products/1429169>

## Classifications

### ECLASS

ECLASS-13.0	27440116
ECLASS-15.0	27440116

### ETIM

ETIM 10.0	EC002635
-----------	----------

### UNSPSC

UNSPSC 21.0	39121400
-------------	----------

# SACC-M12FR-6Q SH VARAN - Data connector



1429169

<https://www.phoenixcontact.com/us/products/1429169>

## Environmental product compliance

### EU RoHS

Fulfills EU RoHS substance requirements	Yes, No exemptions
---	--------------------

### China RoHS

Environment friendly use period (EFUP)	EFUP-E
	No hazardous substances above the limits

### EU REACH SVHC

REACH candidate substance (CAS No.)	No substance above 0.1 wt%
-------------------------------------	----------------------------

Phoenix Contact 2026 © - all rights reserved  
<https://www.phoenixcontact.com>

Phoenix Contact USA  
586 Fulling Mill Road  
Middletown, PA 17057, United States  
(+717) 944-1300  
[info@phoenixcon.com](mailto:info@phoenixcon.com)