

SAC-6P-15,0-970/FR SCO - Bus system cable



1428649

<https://www.phoenixcontact.com/us/products/1428649>

Please be informed that the data shown in this PDF document is generated from our online catalog. Please find the complete data in the user documentation. Our general terms of use for downloads are valid.



Bus system cable, VARAN (100 Mbps), 6-position, SANTOPRENE halogen-free/TPE halogen-free, black RAL 9005, shielded, free cable end, on Socket angled M12 SPEEDCON, coding: A, cable length: 15 m

Commercial data

| | |
|--------------------------------------|--------------------------------|
| Item number | 1428649 |
| Packing unit | 1 pc |
| Minimum order quantity | 1 pc |
| Note | Made to order (non-returnable) |
| Product key | AF1CMM |
| GTIN | 4046356322928 |
| Weight per piece (including packing) | 1,155 g |
| Weight per piece (excluding packing) | 1,150 g |
| Country of origin | PL |

Technical data

Product properties

| | |
|----------------------|-------------------------|
| Product type | Data cable preassembled |
| Application | Standard |
| Sensor type | VARAN |
| Number of positions | 6 |
| No. of cable outlets | 1 |
| Coding | A |

Insulation characteristics

| | |
|----------------------|----|
| Overvoltage category | II |
| Degree of pollution | 3 |

Interfaces

| | |
|----------------------|-----------------|
| Bus system | VARAN |
| Signal type/category | VARAN, 100 Mbps |

Signaling

| | |
|------------------------|----|
| Status display | no |
| Status display present | no |

Electrical properties

| | |
|--------------------------------|----------|
| Insulation resistance | ≥ 100 MΩ |
| Nominal voltage U _N | 30 V AC |
| | 30 V DC |
| Nominal current I _N | 2 A |
| Transmission medium | Copper |
| Transmission speed | 100 Mbps |

Material specifications

| | |
|--|---|
| Flammability rating according to UL 94 | HB |
| Seal material | NBR |
| Material of grip body | TPU, hardly inflammable, self-extinguishing |
| Contact material | CuZn |
| Contact surface material | Ni/Au |
| Contact carrier material | TPU GF |
| Material for screw connection | Zinc die-cast, nickel-plated |

Connection data

Connection assignment

| | |
|---|-------------------------|
| Contact Color (signal designation) Contact (optional) | 1 (Socket) |
| | 4 (Socket) |
| | 6 (Socket) BU (Power) |

SAC-6P-15,0-970/FR SCO - Bus system cable



1428649

<https://www.phoenixcontact.com/us/products/1428649>

| | |
|--|-------------------------|
| | 7 (Socket) BN (Power) |
| | 5 (Socket) GNWH (RD+) |
| | 8 (Socket) GN (RD-) |
| | 2 (Socket) OGWH (TD+) |
| | 3 (Socket) OG (TD-) |

Connector

Connection 1

| | |
|------|----------------|
| Type | free cable end |
|------|----------------|


Connection 2

| | |
|------|----------------|
| Type | free cable end |
|------|----------------|

Cable/line

| | |
|--------------|------|
| Cable length | 15 m |
|--------------|------|

VARAN [970]

| | |
|-------------------------------------|--|
| Dimensional drawing |  |
| Cable weight | 81 kg/km |
| Number of positions | 6 |
| Shielded | yes |
| Cable type | VARAN [970] |
| Conductor structure | 1x2xAWG22/19 + 1x4xAWG24/19 |
| Conductor structure signal line | 19x 0.13 mm |
| AWG signal line | 24 |
| Conductor structure, voltage supply | 19x 0.16 mm |
| AWG power supply | 22 |
| Conductor cross-section | 4x 0.25 mm ² (Signal line) 2x 0.38 mm ² (Power supply) |
| Wire diameter incl. insulation | 1.35 mm (Signal line) 1.5 mm (Power supply) |
| External cable diameter | 7.80 mm ±0.2 mm |
| Outer sheath, material | SANTOPRENE halogen-free |
| External sheath, color | black RAL 9005 |
| Conductor material | Bare Cu litz wires |
| Material, filler | Yarn |
| Material wire insulation | PP |

SAC-6P-15,0-970/FR SCO - Bus system cable



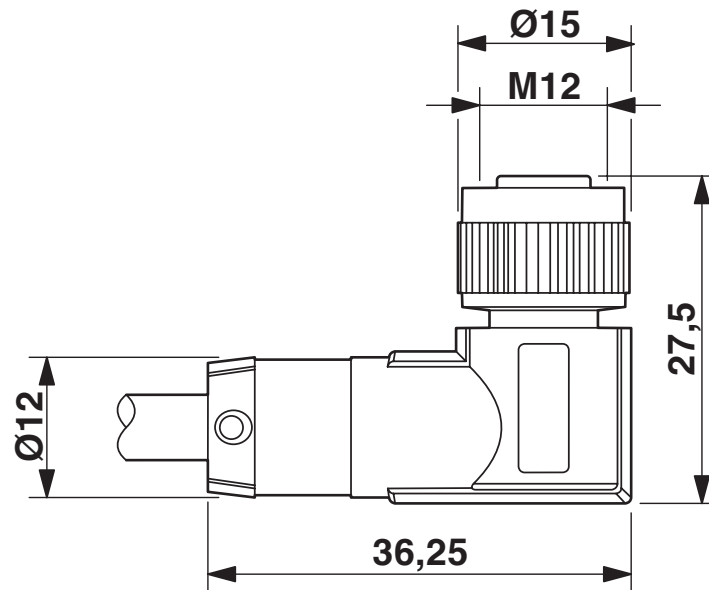
1428649

<https://www.phoenixcontact.com/us/products/1428649>

| | |
|---|--|
| Single wire, color | brown, blue, white/orange, white/green, green, orange |
| Type of pair shielding | Tinned copper braided shield, 95 % covering |
| Overall twist | 1 star quad and 2 wires with 2 fillers |
| Max. conductor resistance | 77 Ω /m (Data cable) |
| Insulation resistance | 5 G Ω *km (Data cable) |
| Wave impedance | 100 Ω \pm 15 % |
| Working capacitance | 50 nF (Data cable) |
| Nominal voltage, cable | 125 V (Data cable) 48 V (Power supply) |
| Test voltage | 2000 V (Power supply) max. 700 V AC (Data cable) |
| Smallest bending radius, fixed installation | \geq 93 mm |
| Smallest bending radius, movable installation | \geq 93 mm |
| Dynamic load capacity (bending) | Max. bending cycles: 3000000, Bending radius: 93 mm, Traversing path: 2 m, Traversing rate: 1 m/s, Acceleration: 2 m/s ² |
| Halogen-free | in accordance with DIN EN 50267-2-1 |
| Ambient temperature (operation) | -20 °C ... 80 °C (Cable) |
| Ambient temperature (installation) | 0 °C ... 50 °C |

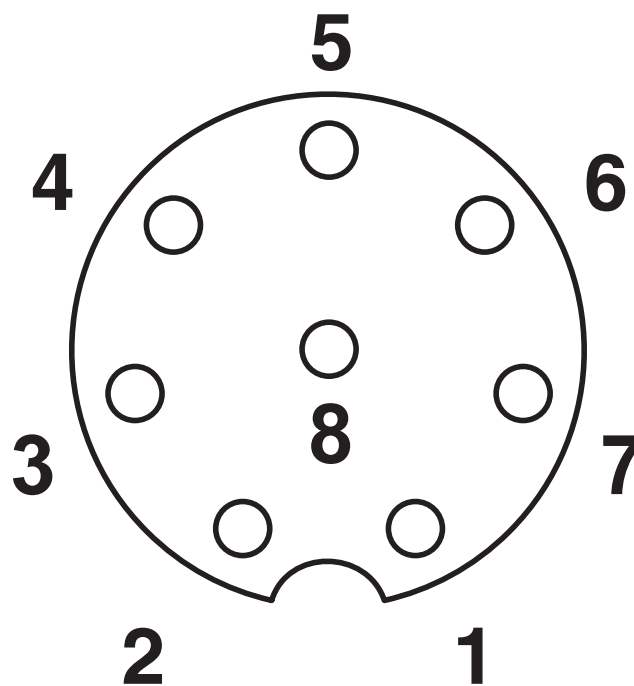
Drawings

Dimensional drawing



M12 x 1 socket, angled, shielded

Schematic diagram



Pin assignment M12 socket, 8-pos., A-coded, view female side

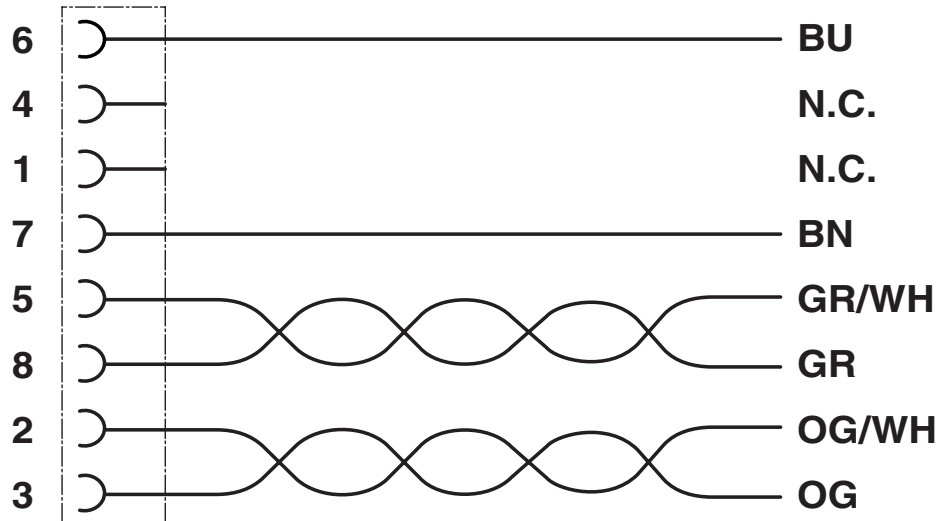
SAC-6P-15,0-970/FR SCO - Bus system cable



1428649

<https://www.phoenixcontact.com/us/products/1428649>

Circuit diagram



Contact assignment of the M12 socket

SAC-6P-15,0-970/FR SCO - Bus system cable



1428649

<https://www.phoenixcontact.com/us/products/1428649>

Approvals

To download certificates, visit the product detail page: <https://www.phoenixcontact.com/us/products/1428649>



EAC-RoHS

Approval ID: RU D-DE.HB35.B.00387

SAC-6P-15,0-970/FR SCO - Bus system cable



1428649

<https://www.phoenixcontact.com/us/products/1428649>

Classifications

ECLASS

| | |
|-------------|----------|
| ECLASS-13.0 | 27060307 |
| ECLASS-15.0 | 27060307 |

ETIM

| | |
|-----------|----------|
| ETIM 10.0 | EC001855 |
|-----------|----------|

UNSPSC

| | |
|-------------|----------|
| UNSPSC 21.0 | 26121600 |
|-------------|----------|

SAC-6P-15,0-970/FR SCO - Bus system cable



1428649

<https://www.phoenixcontact.com/us/products/1428649>

Environmental product compliance

EU RoHS

| | |
|---|--------------------|
| Fulfills EU RoHS substance requirements | Yes, No exemptions |
|---|--------------------|

China RoHS

| | |
|--|--|
| Environment friendly use period (EFUP) | EFUP-E |
| | No hazardous substances above the limits |

EU REACH SVHC

| | |
|-------------------------------------|----------------------------|
| REACH candidate substance (CAS No.) | No substance above 0.1 wt% |
|-------------------------------------|----------------------------|

EF3.1 Climate Change

| | |
|---------|----------------|
| CO2e kg | 14.008 kg CO2e |
|---------|----------------|

Phoenix Contact 2026 © - all rights reserved
<https://www.phoenixcontact.com>

Phoenix Contact USA
586 Fulling Mill Road
Middletown, PA 17057, United States
(+717) 944-1300
info@phoenixcon.com