

# SAC-6P-MR/10,0-970 SCO - Bus system cable



1428555

<https://www.phoenixcontact.com/us/products/1428555>

Please be informed that the data shown in this PDF document is generated from our online catalog. Please find the complete data in the user documentation. Our general terms of use for downloads are valid.



Bus system cable, VARAN (100 Mbps), 6-position, SANTOPRENE halogen-free/TPE halogen-free, black RAL 9005, shielded, Plug angled M12 SPEEDCON, coding: A, on free cable end, cable length: 10 m

## Commercial data

Item number	1428555
Packing unit	1 pc
Minimum order quantity	1 pc
Product key	AF1CMM
GTIN	4046356322836
Weight per piece (including packing)	816.449 g
Weight per piece (excluding packing)	806.526 g
Country of origin	PL

# SAC-6P-MR/10,0-970 SCO - Bus system cable



1428555

<https://www.phoenixcontact.com/us/products/1428555>

## Technical data

### Product properties

Product type	Data cable preassembled
Application	Standard
Number of positions	6
No. of cable outlets	1
Coding	A

### Insulation characteristics

Overvoltage category	II
Degree of pollution	3

### Interfaces

Bus system	VARAN
Signal type/category	VARAN, 100 Mbps

### Signaling

Status display	no
Status display present	no

### Electrical properties

Insulation resistance	$\geq 100 \text{ M}\Omega$
Nominal voltage $U_N$	30 V AC
	30 V DC
Nominal current $I_N$	2 A
Transmission medium	Copper
Transmission speed	100 Mbps

### Material specifications

Flammability rating according to UL 94	HB
Material of grip body	TPU, hardly inflammable, self-extinguishing
Contact material	CuZn
Contact surface material	Ni/Au
Contact carrier material	TPU GF
Material for screw connection	Zinc die-cast, nickel-plated

### Connection data

#### Connection assignment

Contact   Color (signal designation)   Contact (optional)	1 (Plug)
	4 (Plug)
	6 (Plug)   BU (Power)
	7 (Plug)   BN (Power)
	5 (Plug)   GNWH (RD+)

# SAC-6P-MR/10,0-970 SCO - Bus system cable



1428555

<https://www.phoenixcontact.com/us/products/1428555>

	8 (Plug)   GN (RD-)
	2 (Plug)   OGWH (TD+)
	3 (Plug)   OG (TD-)

## Connector

### Connection 1

Type	Plug angled M12 SPEEDCON
Number of positions	6
Locking type	SPEEDCON
Coding type	A (Standard)


### Connection 2

Type	free cable end
------	----------------

## Cable/line

Cable length	10 m
--------------	------

### VARAN [970]

Dimensional drawing	
Cable weight	81 kg/km
Number of positions	6
Shielded	yes
Cable type	VARAN [970]
Conductor structure	1x2xAWG22/19 + 1x4xAWG24/19
Conductor structure signal line	19x 0.13 mm
AWG signal line	24
Conductor structure, voltage supply	19x 0.16 mm
AWG power supply	22
Conductor cross-section	4x 0.25 mm <sup>2</sup> (Signal line) 2x 0.38 mm <sup>2</sup> (Power supply)
Wire diameter incl. insulation	1.35 mm (Signal line) 1.5 mm (Power supply)
External cable diameter	7.80 mm ±0.2 mm
Outer sheath, material	SANTOPRENE halogen-free
External sheath, color	black RAL 9005
Conductor material	Bare Cu litz wires
Material, filler	Yarn

# SAC-6P-MR/10,0-970 SCO - Bus system cable



1428555

<https://www.phoenixcontact.com/us/products/1428555>

Material wire insulation	PP
Single wire, color	brown, blue, white/orange, white/green, green, orange
Type of pair shielding	Tinned copper braided shield, 95 % covering
Overall twist	1 star quad and 2 wires with 2 fillers
Max. conductor resistance	77 $\Omega$ /m (Data cable)
Insulation resistance	5 $G\Omega \cdot km$ (Data cable)
Wave impedance	100 $\Omega \pm 15 \%$
Working capacitance	50 nF (Data cable)
Nominal voltage, cable	125 V (Data cable) 48 V (Power supply)
Test voltage	2000 V (Power supply) max. 700 V AC (Data cable)
Smallest bending radius, fixed installation	$\geq 93$ mm
Smallest bending radius, movable installation	$\geq 93$ mm
Dynamic load capacity (bending)	Max. bending cycles: 3000000, Bending radius: 93 mm, Traversing path: 2 m, Traversing rate: 1 m/s, Acceleration: 2 m/s <sup>2</sup>
Halogen-free	in accordance with DIN EN 50267-2-1
Ambient temperature (operation)	-20 °C ... 80 °C (Cable)
Ambient temperature (installation)	0 °C ... 50 °C

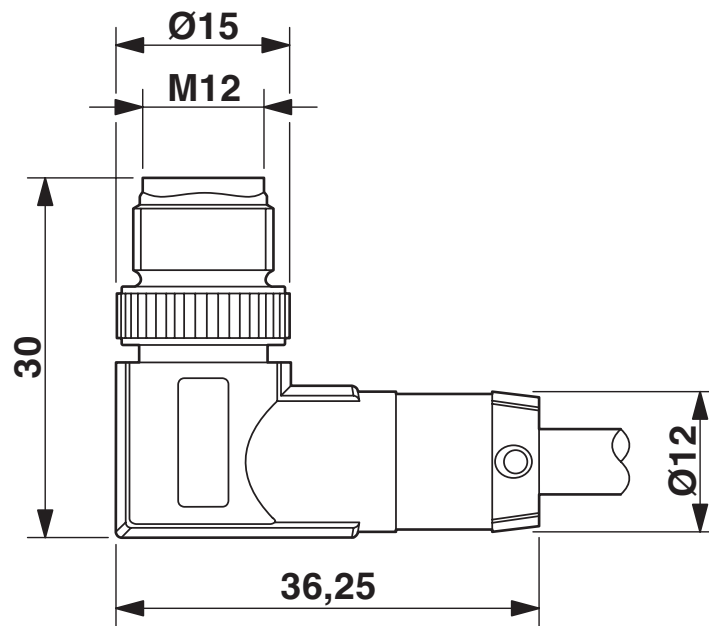
## Environmental and real-life conditions

### Ambient conditions

Degree of protection	IP65 IP67
Ambient temperature (operation) (male connector/female connector)	-25 °C ... 90 °C (Plug / socket)

Drawings

Dimensional drawing



M12 x 1 male plug, angled, shielded

Schematic diagram



Pin assignment M12 plug, 8-pos., view plug side

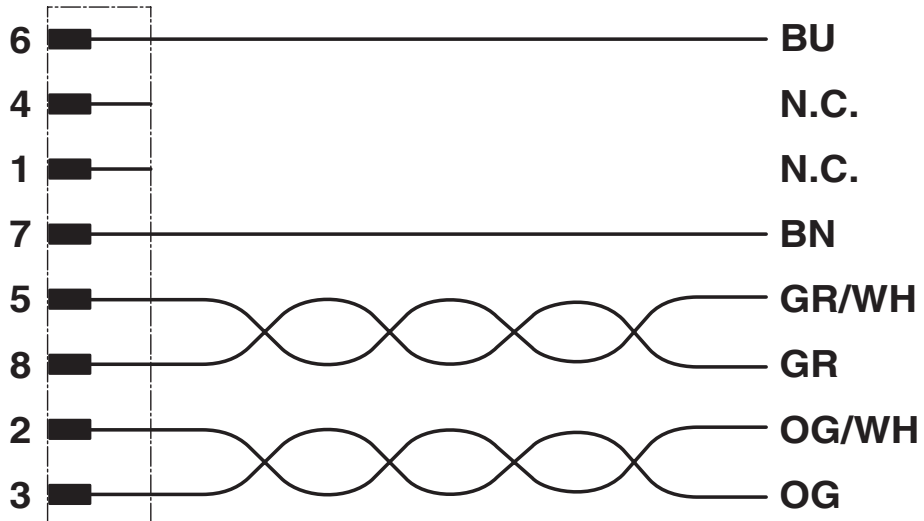
# SAC-6P-MR/10,0-970 SCO - Bus system cable



1428555

<https://www.phoenixcontact.com/us/products/1428555>

Circuit diagram



Contact assignment of the M12 plug

# SAC-6P-MR/10,0-970 SCO - Bus system cable



1428555

<https://www.phoenixcontact.com/us/products/1428555>

## Classifications

### ECLASS

ECLASS-13.0	27060307
ECLASS-15.0	27060307

Phoenix Contact 2026 © - all rights reserved

<https://www.phoenixcontact.com>

Phoenix Contact USA  
586 Fulling Mill Road  
Middletown, PA 17057, United States  
(+717) 944-1300  
[info@phoenixcon.com](mailto:info@phoenixcon.com)