

NBC-M 8MS/ 4,0-93C/R4AC - Network cable



1426298

<https://www.phoenixcontact.com/us/products/1426298>

Please be informed that the data shown in this PDF document is generated from our online catalog. Please find the complete data in the user documentation. Our general terms of use for downloads are valid.



Network cable, Ethernet (100 Mbps), PROFINET (100 Mbps), EtherCAT® (100 Mbps), 4-position, PUR/FRNC halogen-free, green RAL 6018, shielded, Plug straight M8, coding: A / IP67, on Plug straight RJ45 / IP20, cable length: 4 m

Commercial data

Item number	1426298
Packing unit	1 pc
Minimum order quantity	50 pc
Product key	AF1BJI
GTIN	4055626457963
Weight per piece (including packing)	278.48 g
Weight per piece (excluding packing)	275.88 g
Country of origin	PL

NBC-M 8MS/ 4,0-93C/R4AC - Network cable



1426298

<https://www.phoenixcontact.com/us/products/1426298>

Technical data

Product properties

Product type	Data cable preassembled
Application	Standard
Number of positions	4
Shielded	yes
Coding	A

Interfaces

Bus system	Ethernet
Signal type/category	Ethernet, 100 Mbps
	PROFINET, 100 Mbps
	EtherCAT®, 100 Mbps

Signaling

Status display	no
Status display present	no

Electrical properties

Nominal voltage U_N	30 V AC
	30 V DC
Nominal current I_N	1 A
Transmission medium	Copper
Transmission speed	100 Mbps

Connector

Connection 1

Type	Plug straight M8 / IP67
Number of positions	4
Coding type	A (Standard)
Handle color	black
Material	CuSn (Contact)
	Ni/Au (Contact surface)
	TPU GF (Contact carrier)
	TPU, hardly inflammable, self-extinguishing (Grip body)
	Zinc die-cast, nickel-plated (Screw connection)
Insertion/withdrawal cycles	≥ 100
Insulation resistance	≥ 100 MΩ
Tightening torque	0.2 Nm
Degree of protection	IP67
Ambient temperature (operation)	-25 °C ... 90 °C

Connection 2

NBC-M 8MS/ 4,0-93C/R4AC - Network cable



1426298


<https://www.phoenixcontact.com/us/products/1426298>

Type	Plug straight RJ45 / IP20
Number of positions	4 (8)
Handle color	black
Material	CuSn (Contact)
	Ni/Au (Contact surface)
	PC (Contact carrier)
	PA (Housing)
Insertion/withdrawal cycles	≥ 750
Degree of protection	IP20
Ambient temperature (operation)	-25 °C ... 80 °C

Cable/line

Cable length	4 m
--------------	-----

PROFINET drag chain CAT5 [93C]

Dimensional drawing	
Cable weight	61 kg/km
Shielded	yes
Cable type	PROFINET drag chain CAT5 [93C]
Conductor structure	1x4xAWG22/7, SF/TQ
Signal runtime	5.3 ns/m
Signal speed	0.66 c
Conductor structure signal line	7x 0.25 mm
AWG signal line	22
Conductor cross-section	4x 0.34 mm ²
Wire diameter incl. insulation	1.5 mm
External cable diameter	6.50 mm ±0.2 mm
Outer sheath, material	PUR
External sheath, color	green RAL 6018
Conductor material	Tin-plated Cu litz wires
Material wire insulation	PE
Single wire, color	white, yellow, blue, orange
Thickness, outer sheath	approx. 0.90 mm
Overall twist	Star quad
Optical shield covering	85 %
Insulation resistance	≥ 500 MΩ*km
Coupling resistance	≤ 20.00 mΩ/m (at 10 MHz)

NBC-M 8MS/ 4,0-93C/R4AC - Network cable



1426298

<https://www.phoenixcontact.com/us/products/1426298>

Loop resistance	≤ 120.00 Ω/km
Wave impedance	100 Ω ±15 Ω (at 1 ... 100 MHz)
Nominal voltage, cable	600 V (UL rating)
Test voltage Core/Core	2000 V (50 Hz, 1 min.)
Test voltage Core/Shield	2000.00 V (50 Hz, 1 min.)
Minimum bending radius, fixed installation	5 x D
Minimum bending radius, flexible installation	7.5 x D
Smallest bending radius, fixed installation	33 mm
Smallest bending radius, movable installation	49 mm
Dynamic load capacity (bending)	Max. bending cycles: 3000000, Bending radius: 100 mm, Traversing path: 10 m, Traversing rate: 4 m/s, Acceleration: 4 m/s ²
Tensile strength	≤ 150 N
Dynamic load capacity (torsion)	Torsion: ±30 °/m
Near end crosstalk attenuation (NEXT)	80 dB (with 1 MHz)
	76 dB (at 4 MHz)
	70 dB (at 10 MHz)
	65 dB (at 16 MHz)
	63 dB (at 20 MHz)
	60 dB (at 31.25 MHz)
	55 dB (at 62.5 MHz)
	50 dB (at 100 MHz)
Shield attenuation	2.1 dB (with 1 MHz)
	4 dB (at 4 MHz)
	6.3 dB (at 10 MHz)
	8 dB (at 16 MHz)
	9 dB (at 20 MHz)
	11.4 dB (at 31.25 MHz)
	16.5 dB (at 62.5 MHz)
	21.3 dB (at 100 MHz)
Halogen-free	yes
Flame resistance	according to IEC 60332-1-2
	in accordance with UN ECE-R 118.03
Resistance to oil	in accordance with DIN EN 60811-2-1
Other resistance	UV resistant
Special properties	Electrical properties in accordance with EN 50288-2-2
Ambient temperature (operation)	-40 °C ... 70 °C (cable, fixed installation)
	-40 °C ... 70 °C (Cable, flexible installation)
Ambient temperature (installation)	-20 °C ... 60 °C

Environmental and real-life conditions

Ambient conditions

Degree of protection	IP67/IP20
Ambient temperature (operation) (male connector/female)	-25 °C ... 90 °C (M8 connectors)

NBC-M 8MS/ 4,0-93C/R4AC - Network cable



1426298

<https://www.phoenixcontact.com/us/products/1426298>

connector)	-25 °C ... 60 °C (RJ45 connector)
------------	-----------------------------------

Standards and regulations

M8

Standard designation	M8 connector
Standards/specifications	IEC 61076-2-104

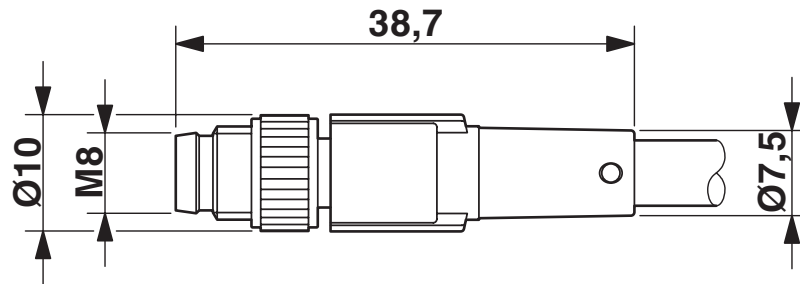
NBC-M 8MS/ 4,0-93C/R4AC - Network cable

1426298

<https://www.phoenixcontact.com/us/products/1426298>

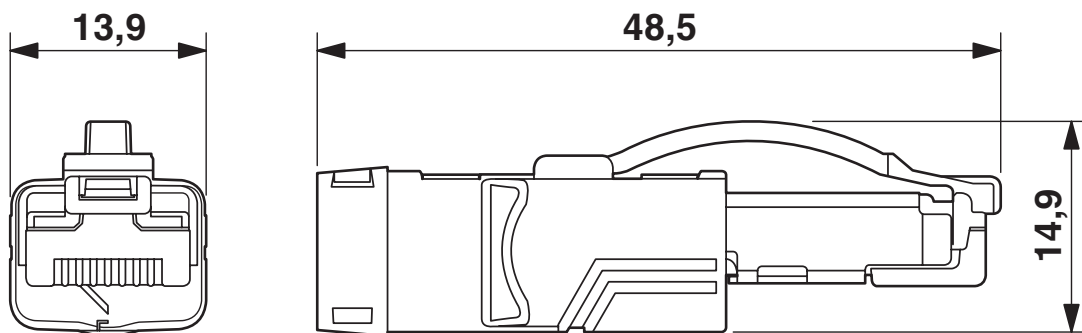
Drawings

Dimensional drawing



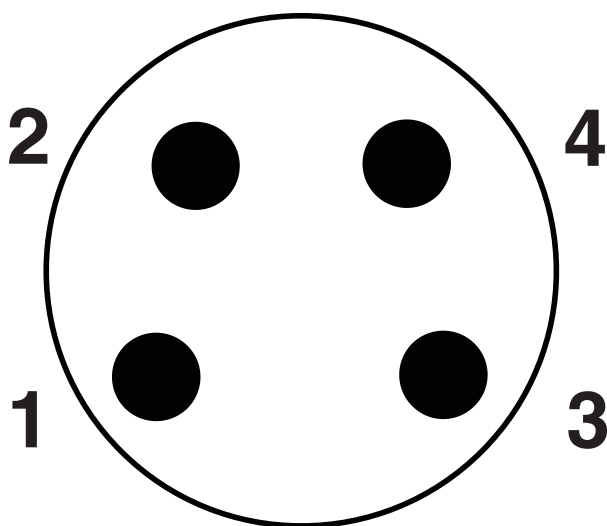
M8 x 1 male plug, straight version

Dimensional drawing



RJ45 connector, IP20

Schematic diagram



Pin assignment M8 plug, 4-pos., view male side

NBC-M 8MS/ 4,0-93C/R4AC - Network cable

1426298

<https://www.phoenixcontact.com/us/products/1426298>



Schematic diagram



Connector pin assignment plug RJ45

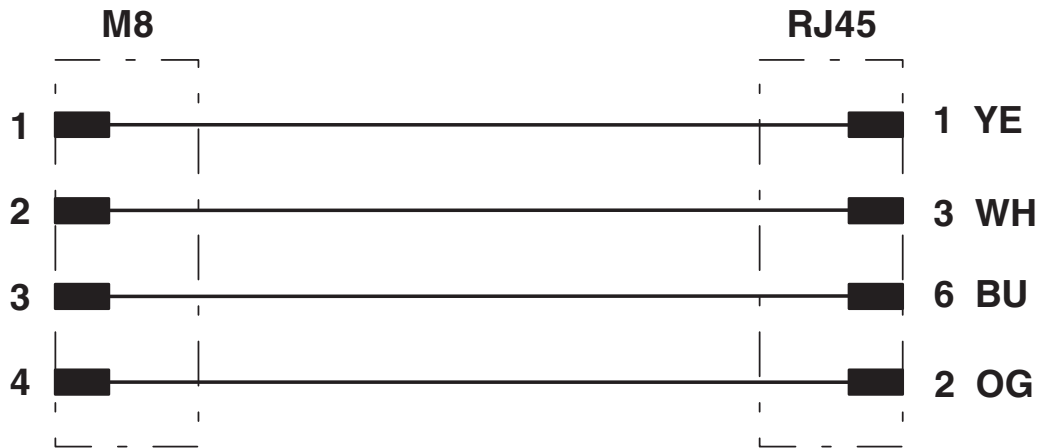
NBC-M 8MS/ 4,0-93C/R4AC - Network cable



1426298

<https://www.phoenixcontact.com/us/products/1426298>

Circuit diagram



Contact assignment of the M8 and RJ45 plug

NBC-M 8MS/ 4,0-93C/R4AC - Network cable



1426298

<https://www.phoenixcontact.com/us/products/1426298>

Classifications

ECLASS

ECLASS-13.0	27060307
ECLASS-15.0	27060307

UNSPSC

UNSPSC 21.0	26121604
-------------	----------

Phoenix Contact 2026 © - all rights reserved

<https://www.phoenixcontact.com>

Phoenix Contact USA
586 Fulling Mill Road
Middletown, PA 17057, United States
(+717) 944-1300
info@phoenixcon.com