

FOC-SJ:C-SJ:C-HB02/15 PR - FO patch cable



1426217

<https://www.phoenixcontact.com/us/products/1426217>

Please be informed that the data shown in this PDF document is generated from our online catalog. Please find the complete data in the user documentation. Our general terms of use for downloads are valid.

Assembled FO cable, PROFINET cable type B, 200/230 µm PCF fiber, SC-RJ/IP67 push-pull metal housing on both sides, PVC outer sheath, halogen-free, ozone and UV-resistant, in conduit, for fixed indoor installation, length: 15 m



Your advantages

- Reliable even in EMC-sensitive applications
- Fast data transmission for demanding applications
- Flexible installation, thanks to PVC outer sheath
- Including individual test report
- Universal installation cables for fixed installation indoors and outdoors (direct underground installation not permitted)
- Additional line protection thanks to protective tube
- 2.2 mm single-core wires made from extremely hard-wearing polyvinyl chloride (PVC)
- PROFINET type B for flexible use
- Robust cable for use in harsh environments
- Halogen-free, ozone, and UV resistant

Commercial data

Item number	1426217
Packing unit	1 pc
Minimum order quantity	1 pc
Product key	ABNOBB
GTIN	4055626456331
Weight per piece (including packing)	1,547 g
Weight per piece (excluding packing)	1,547 g
Country of origin	DE

1426217

<https://www.phoenixcontact.com/us/products/1426217>

Technical data

Product properties

Product type	Data cable preassembled
Application	Standard
Number of positions	2

Electrical properties

Attenuation	≤ 2 dB (at 650 nm)
	≤ 1.5 dB (with 850 nm)
Transmission medium	PCF fiber
Transmission speed	100 Mbps

Mechanical properties

Tensile strength short-term/long-term	800 N / 100 N
---------------------------------------	---------------

Material specifications

Ferrule material	Zirconia ceramics
Outer sheath, material	PVC

Dimensions

External dimensions

External diameter min.	6.7 mm
External diameter max.	7.7 mm

Mechanical characteristics

Ferrule diameter	2.50 mm
------------------	---------

Connector

Connection 2

Type	Plug straight Push-pull version 14
Material	Zinc die-cast (nickel-plated)

Cable/line

Cable length	15.00 m
Cable weight	45 kg/km
External cable diameter	7.2 mm
Outer sheath, material	PVC
External sheath, strain relief elements	Non-metallic, aramide fiber
Single wire, number of litz wires	2
Single wire, material	PVC
Individual wire diameter	2.2 mm ±0.1 mm
Tensile strength short-term/long-term	800 N / 100 N

FOC-SJ:C-SJ:C-HB02/15 PR - FO patch cable



1426217

<https://www.phoenixcontact.com/us/products/1426217>

Lateral pressure short term	500 N/cm
Lateral pressure, long-term	300 N/cm
Bending radius, single element	30 mm (Short-term)
	30 mm (Short-term)
Bending radius, entire cable	70 mm (Short-term)
	70 mm (Short-term)
660 nm	10 dB/km
850 nm	8 dB/km
Resistance to oil	very good oil and chemical resistance
Behavior in fire	Flame-resistant as per IEEE and IEC 60 332-3 test type C

FO cable

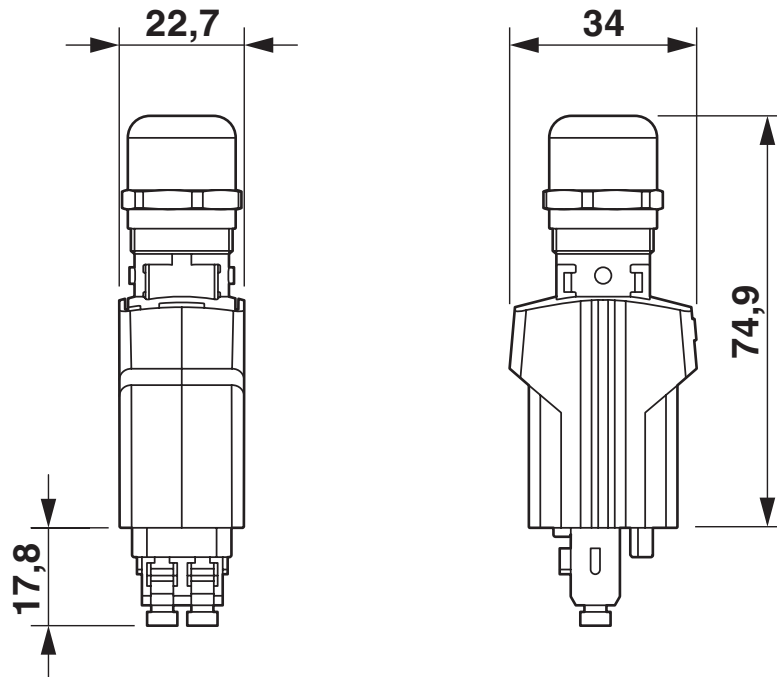
Number of fibers	2
Fiber	200/230 µm
Fiber type	PCF fiber A3C
Cable, attenuation	10 dB/km (650 nm), 8 dB/km (at 850 nm)
Transmission medium	PCF fiber

Standards and regulations

Flame resistance	yes, in accordance with IEC 60332-1-2 and in accordance with IEC 60332-3-22 Cat A
Resistance to oil	yes

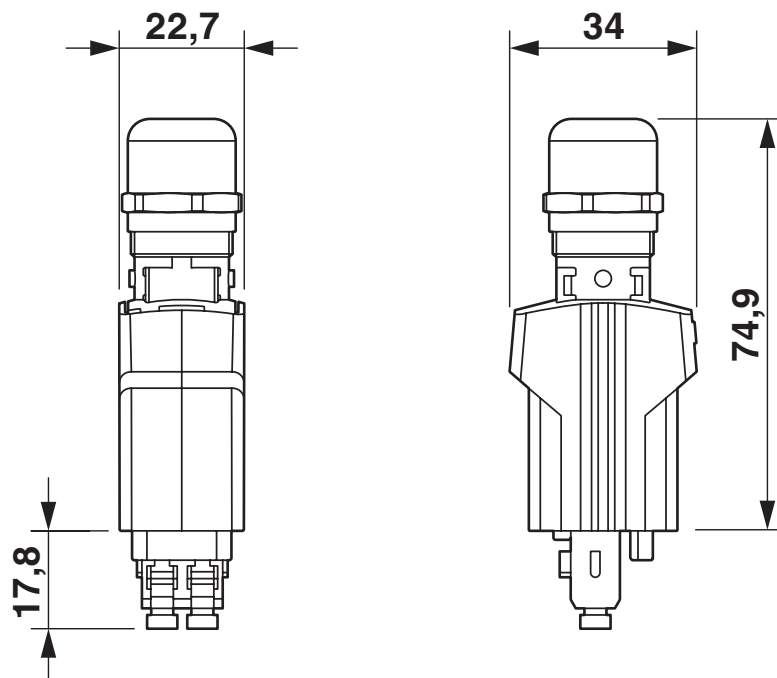
Drawings

Dimensional drawing



Push-Pull SC-RJ connector IP65/67

Dimensional drawing



Push-Pull SC-RJ connector IP65/67

FOC-SJ:C-SJ:C-HB02/15 PR - FO patch cable



1426217

<https://www.phoenixcontact.com/us/products/1426217>

Classifications

UNSPSC

UNSPSC 21.0	39121400
-------------	----------

1426217

<https://www.phoenixcontact.com/us/products/1426217>

Environmental product compliance

EU RoHS

Fulfills EU RoHS substance requirements	Yes, No exemptions
---	--------------------

China RoHS

Environment friendly use period (EFUP)	EFUP-50
	An article-related China RoHS declaration table can be found in the download area for the respective article under "Manufacturer declaration". For all articles with EFUP-E, no China RoHS declaration table issued and required.

EU REACH SVHC

REACH candidate substance (CAS No.)	6,6'-di-tert-butyl-2,2'-methylenedi-p-cresol(CAS: 119-47-1)
SCIP	ad9b9af4-52f0-4afa-926b-3d66600d4099

Phoenix Contact 2026 © - all rights reserved
<https://www.phoenixcontact.com>

Phoenix Contact USA
 586 Fulling Mill Road
 Middletown, PA 17057, United States
 (+717) 944-1300
info@phoenixcon.com