

SACC-DSI-M12MST-4P-M16/0,8 AEH - Device connector rear mounting

1426184

<https://www.phoenixcontact.com/us/products/1426184>

Please be informed that the data shown in this PDF document is generated from our online catalog. Please find the complete data in the user documentation. Our general terms of use for downloads are valid.



The figure shows the standard item

Device connector rear mounting, Power, 4-position, Pin, straight, M12, T-coding, Individual wires, cable length: 0.8 m, 1.31 mm², UL/cUL stranded hook-up wire, Alternative product in accordance with RoHS II without Exemption 6c (Pb < 0.1 %) item no.: 1239571

Your advantages

- For compact devices: transmit high power in a confined space
- Preassembled with litz wires for immediate use
- Customer-specific assemblies and litz wire lengths available
- Sealed on the litz wire side for optimum leak-tightness
- For high transmission safety: shield connection to the housing with optional EMC nut

Commercial data

Item number	1426184
Packing unit	1 pc
Minimum order quantity	20 pc
Note	Made to order (non-returnable)
Product key	ABQCGG
GTIN	4055626449241
Weight per piece (including packing)	71.5 g
Weight per piece (excluding packing)	65.025 g
Country of origin	DE

SACC-DSI-M12MST-4P-M16/0,8 AEH - Device connector rear mounting



1426184

<https://www.phoenixcontact.com/us/products/1426184>

Technical data

Notes

Notes on operation	The electrical and mechanical data specified assume that the connector pair is correctly locked and mounted. If the connector is unlocked and if there is a danger of contamination, the connector must be sealed using a protective cap > IP54. Influences arising from litz wires, cables or PCB assembly must also be taken into consideration.
Order information:	Lock nut is included in the scope of delivery

Mounting

Mounting type	Rear mounting
Tightening torque	M12 connector

Product properties

Product type	Circular connectors (device side)
Sensor type	Power
Number of positions	4
No. of cable outlets	1
Shielded	no
Coding	T
Thread type	M12

Insulation characteristics

Overvoltage category	III
Degree of pollution	3

Material specifications

Flammability rating according to UL 94	V0
Seal material	FKM
Contact material	CuZn
Contact surface material	Au
Contact carrier material	PA
Material for screw connection	CuZn alloy, nickel-plated
Conductor material	Bare Cu litz wires

Electrical properties

Rated surge voltage	1.5 kV
Rated surge voltage	1.5 kV AC/DC
Contact resistance	≤ 3 mΩ
Insulation resistance	≥ 100 MΩ
Nominal voltage U_N	63 V
Nominal current I_N	12 A

SACC-DSI-M12MST-4P-M16/0,8 AEH - Device connector rear mounting



1426184

<https://www.phoenixcontact.com/us/products/1426184>

Test voltage	1.5 kV
--------------	--------

Connection data

Conductor connection

Connection method	Individual wires
Contact connection type	Pin
Conductor cross-section	1.31 mm ²
Tightening torque	M12 connector

Mechanical properties

Mechanical data

Insertion/withdrawal cycles	> 100
-----------------------------	-------

Connector

Connection 1

Head design	Pin
Head cable outlet	straight
Head thread type	M12
Coding	T

Cable/line

Cable length	0.8 m
Cable type	UL/cUL stranded hook-up wire
Signal type/category	Power
Wire diameter incl. insulation	2 mm
Single wire, color	black, brown, blue, white
Cable cross section	1.31 mm ²
Conductor material	Bare Cu litz wires
AWG signal line	16
Material wire insulation	mPPE
Halogen-free	yes
Flame resistance	in acc. to UL 1581 VW1
Ambient temperature (operation)	-40 °C ... 105 °C (cable, fixed installation) -20 °C ... 105 °C (Cable, flexible installation)

Environmental and real-life conditions

Ambient conditions

Degree of protection	IP67 IP65/IP67
Ambient temperature (operation) (male connector/female connector)	-25 °C ... 85 °C (Plug / socket)

SACC-DSI-M12MST-4P-M16/0,8 AEH - Device connector rear mounting



1426184

<https://www.phoenixcontact.com/us/products/1426184>

Ambient temperature (operation) (Cable, flexible installation)	-20 °C ... 105 °C (Cable, flexible installation)
Ambient temperature (operation) (Cable, fixed installation)	-40 °C ... 105 °C (cable, fixed installation)

Standards and regulations

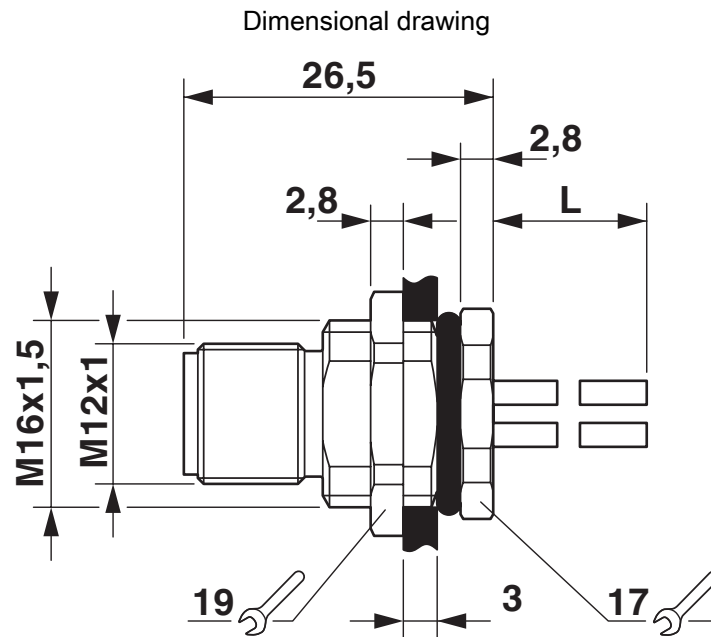
Flame resistance	in acc. to UL 1581 VW1
Standard designation	M12 circular connector
Standards/specifications	according to IEC 61076-2-111

SACC-DSI-M12MST-4P-M16/0,8 AEH - Device connector rear mounting

1426184

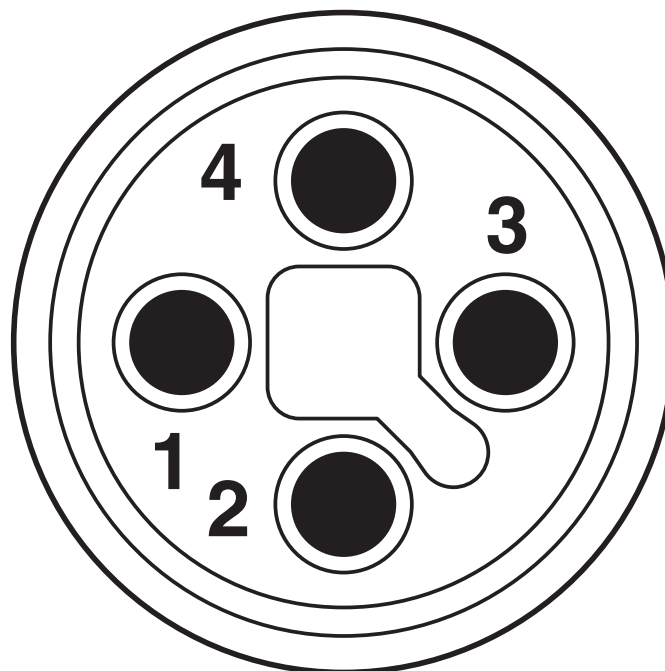
<https://www.phoenixcontact.com/us/products/1426184>

Drawings



M12 flush-type plug

Schematic diagram



Connector pin assignment of M12 plug, 4-pos., T-coded, view of pin side

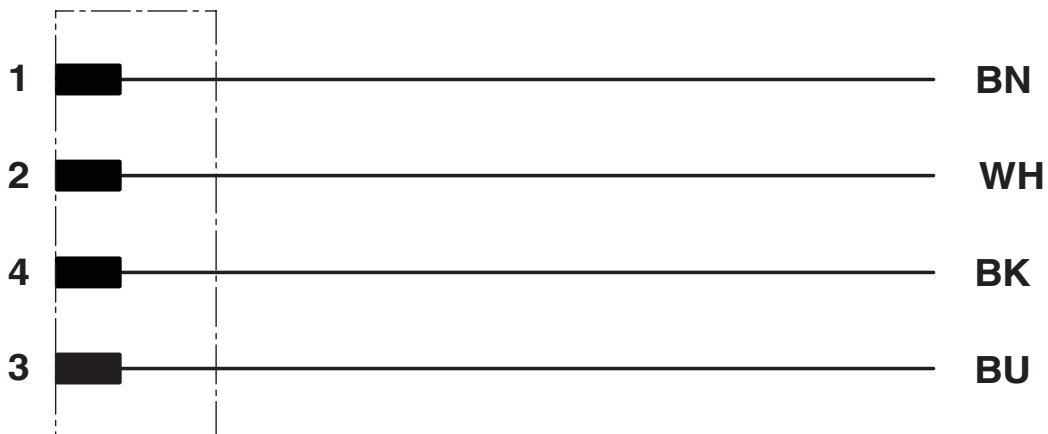
SACC-DSI-M12MST-4P-M16/0,8 AEH - Device connector rear mounting



1426184

<https://www.phoenixcontact.com/us/products/1426184>

Circuit diagram



Contact assignment of the M12 plug

SACC-DSI-M12MST-4P-M16/0,8 AEH - Device connector rear mounting



1426184

<https://www.phoenixcontact.com/us/products/1426184>

Classifications

ECLASS

ECLASS-13.0	27440116
-------------	----------

UNSPSC

UNSPSC 21.0	39121400
-------------	----------

SACC-DSI-M12MST-4P-M16/0,8 AEH - Device connector rear mounting



1426184

<https://www.phoenixcontact.com/us/products/1426184>

Environmental product compliance

EU RoHS

Fulfills EU RoHS substance requirements	Yes
Exemption	6(c)

China RoHS

Environment friendly use period (EFUP)	EFUP-50 An article-related China RoHS declaration table can be found in the download area for the respective article under "Manufacturer declaration". For all articles with EFUP-E, no China RoHS declaration table issued and required.
--	--

EU REACH SVHC

REACH candidate substance (CAS No.)	Lead(CAS: 7439-92-1)
SCIP	a08650bb-2cce-4b91-919a-3f24989cf70f

Phoenix Contact 2026 © - all rights reserved
<https://www.phoenixcontact.com>

Phoenix Contact USA
586 Fulling Mill Road
Middletown, PA 17057, United States
(+717) 944-1300
info@phoenixcon.com