

SAC-6P-M8FR/5,0-PUR/M8FR SH - Sensor/actuator cable



1426076

<https://www.phoenixcontact.com/us/products/1426076>

Please be informed that the data shown in this PDF document is generated from our online catalog. Please find the complete data in the user documentation. Our general terms of use for downloads are valid.



Sensor/actuator cable, 6-position, PUR halogen-free, black-gray RAL 7021, shielded, Socket angled M8, coding: A, on Socket angled M8, cable length: 5 m

As illustrated but with 2 x angled socket

Commercial data

Item number	1426076
Packing unit	1 pc
Minimum order quantity	1 pc
Note	Made to order (non-returnable)
Sales key	BF19
Product key	AF1BNA
GTIN	4055626443706
Weight per piece (including packing)	212 g
Weight per piece (excluding packing)	212 g
Customs tariff number	85444290
Country of origin	PL

SAC-6P-M8FR/5,0-PUR/M8FR SH - Sensor/actuator cable



1426076

<https://www.phoenixcontact.com/us/products/1426076>

Technical data

Product properties

Product type	Sensor/actuator cable
Application	Standard
Number of positions	6
No. of cable outlets	1
Shielded	yes
Coding	A

Insulation characteristics

Overvoltage category	II
Degree of pollution	3

Material specifications

Flammability rating according to UL 94	HB
Seal material	NBR
Material of grip body	TPU, hardly inflammable, self-extinguishing
Contact material	CuZn
Contact surface material	Ni/Au
Contact carrier material	TPU GF
Material for screw connection	Zinc die-cast, nickel-plated

Electrical properties

Insulation resistance	$\geq 100 \text{ M}\Omega$
Nominal voltage U_N	30 V AC
	30 V DC
Nominal current I_N	1.5 A

Signaling

Status display	no
Status display present	no

Connector

Connection 1

Type	Socket angled M8
Number of positions	6
Coding type	A

Connection 2

Type	Socket angled M8
Number of positions	6


Cable/line

SAC-6P-M8FR/5,0-PUR/M8FR SH - Sensor/actuator cable



1426076

<https://www.phoenixcontact.com/us/products/1426076>

Cable length	5 m
PUR halogen-free black [PUR]	
Dimensional drawing	
Cable weight	34 kg/km
Number of positions	6
Shielded	yes
Cable type	PUR halogen-free black [PUR]
Conductor structure signal line	18x 0.10 mm
AWG signal line	26
Conductor cross-section	6x 0.14 mm ² (Signal line)
Wire diameter incl. insulation	1 mm ±0.05 mm
External cable diameter	5.2 mm 5.20 mm
Outer sheath, material	PUR
External sheath, color	black-gray RAL 7021
Conductor material	Bare Cu litz wires
Single wire, color	brown, white, black, blue, gray, pink
Smallest bending radius, fixed installation	52 mm
Smallest bending radius, movable installation	52 mm
Dynamic load capacity (bending)	Max. bending cycles: 10000000, Bending radius: 52 mm, Traversing path: 10 m, Traversing rate: 3 m/s, Acceleration: 10 m/s ²
Dynamic load capacity (torsion)	Torsion: ±180 °/m, Torsion cycles: ≥5000000, Torsional frequency: 35 cycles/min.
Halogen-free	in accordance with DIN VDE 0472 part 815
Flame resistance	in accordance with DIN UL-Style 20549
Resistance to oil	in accordance with DIN EN 60811-2-1
Other resistance	Highly resistant to acids, alkaline solutions and solvents hydrolysis and microbe resistant partly UV-resistant (in accordance with DIN EN ISO 4892-2-A)
Special properties	Flexible cable conduit capable Silicone-free Free of substances which would hinder coating with paint or varnish
Ambient temperature (operation)	-40 °C ... 80 °C (cable, fixed installation) -5 °C ... 80 °C (Cable, flexible installation)

SAC-6P-M8FR/5,0-PUR/M8FR SH - Sensor/actuator cable



1426076

<https://www.phoenixcontact.com/us/products/1426076>

Environmental and real-life conditions

Ambient conditions

Degree of protection	IP65
	IP67
Ambient temperature (operation) (male connector/female connector)	-25 °C ... 90 °C (Plug / socket)
Ambient temperature (operation) (Cable, fixed installation)	-25 °C ... 80 °C (cable, fixed installation)
Ambient temperature (operation) (Cable, flexible installation)	-5 °C ... 80 °C (Cable, flexible installation)

Standards and regulations

Standard designation	M8 connector
Standards/specifications	IEC 61076-2-104

SAC-6P-M8FR/5,0-PUR/M8FR SH - Sensor/actuator cable



1426076

<https://www.phoenixcontact.com/us/products/1426076>

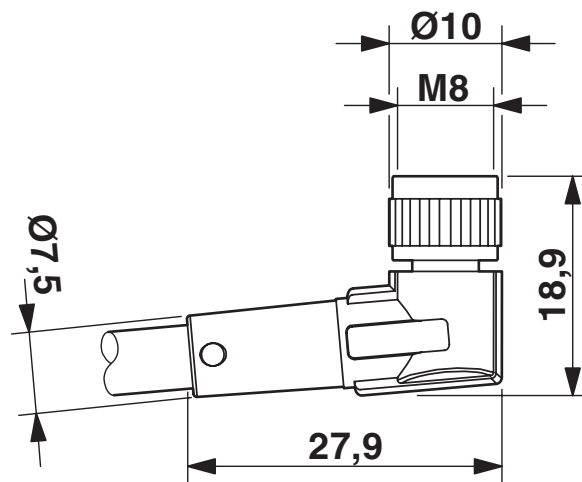
Drawings

Dimensional drawing



Socket M8 x 1, angled

Dimensional drawing



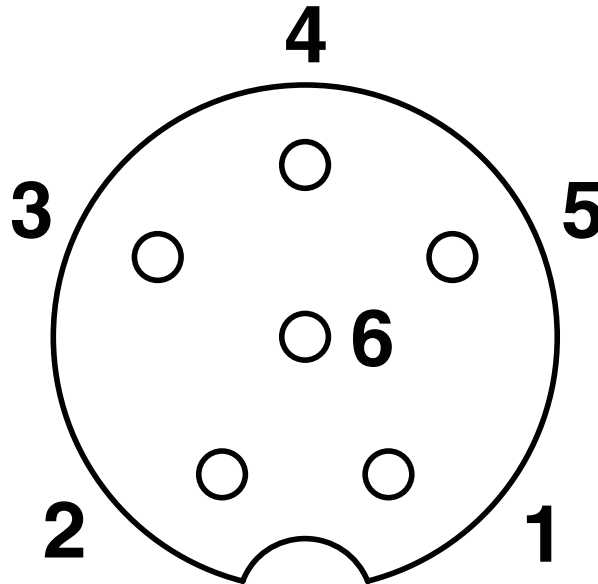
Socket M8 x 1, angled

SAC-6P-M8FR/5,0-PUR/M8FR SH - Sensor/actuator cable

1426076

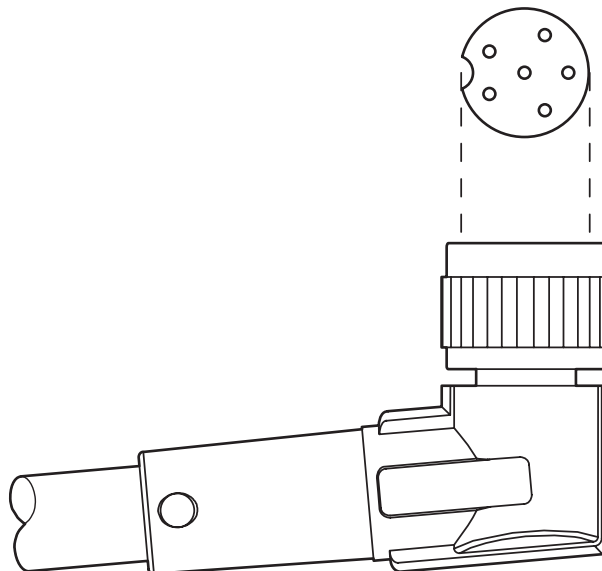
<https://www.phoenixcontact.com/us/products/1426076>

Schematic diagram



Pin assignment M8 socket, 6-pos.

Schematic diagram



Layout of connector pin assignments

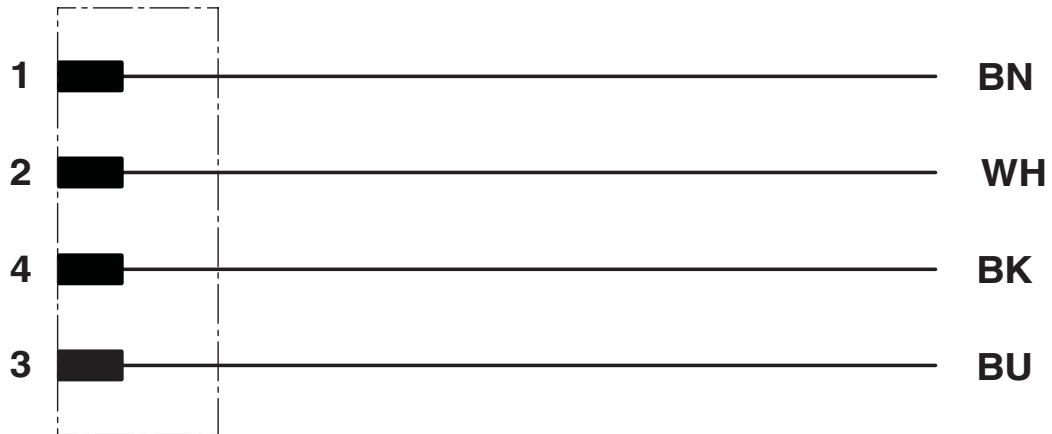
SAC-6P-M8FR/5,0-PUR/M8FR SH - Sensor/actuator cable



1426076

<https://www.phoenixcontact.com/us/products/1426076>

Circuit diagram



Contact assignment of M8 plugs/sockets

SAC-6P-M8FR/5,0-PUR/M8FR SH - Sensor/actuator cable



1426076

<https://www.phoenixcontact.com/us/products/1426076>

Classifications

ECLASS

ECLASS-13.0	27060311
ECLASS-15.0	27060311

Phoenix Contact 2026 © - all rights reserved

<https://www.phoenixcontact.com>

Phoenix Contact USA
586 Fulling Mill Road
Middletown, PA 17057, United States
(+717) 944-1300
info@phoenixcon.com