

# CP QPD 4X2,5 - Coding profile

1425950

<https://www.phoenixcontact.com/us/products/1425950>

Please be informed that the data shown in this PDF document is generated from our online catalog. Please find the complete data in the user documentation. Our general terms of use for downloads are valid.



Coding profile red, for pushing into the QUICKON dome and connector, can be positioned in 90° steps.

## Commercial data

Item number	1425950
Packing unit	10 pc
Minimum order quantity	10 pc
Sales key	BF50
Product key	AF6ZWX
GTIN	4055626435237
Weight per piece (including packing)	0.36 g
Weight per piece (excluding packing)	0.35 g
Customs tariff number	39269097
Country of origin	PL

# CP QPD 4X2,5 - Coding profile

1425950

<https://www.phoenixcontact.com/us/products/1425950>



## Technical data

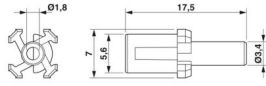
### Product properties

Product type	Coding element
Product family	QPD

### Material specifications

Color	red (RAL 3001)
Material	PA
Flammability rating according to UL 94	V0

### Dimensions

Dimensional drawing	
Width	7 mm
Height	7 mm
Length	17.5 mm

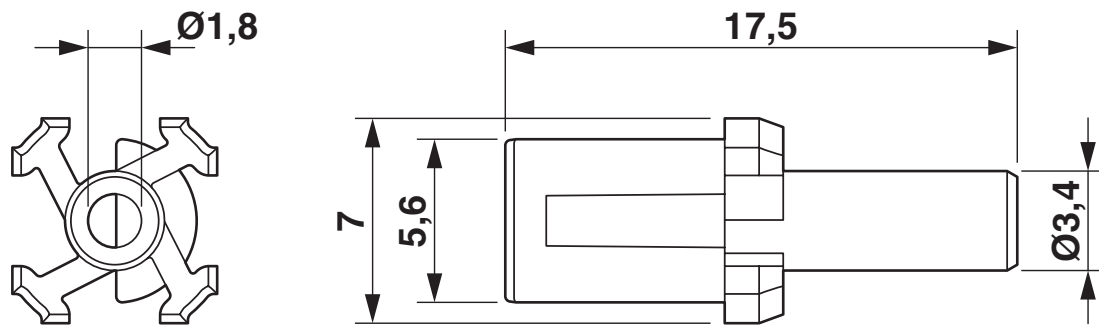
# CP QPD 4X2,5 - Coding profile

1425950

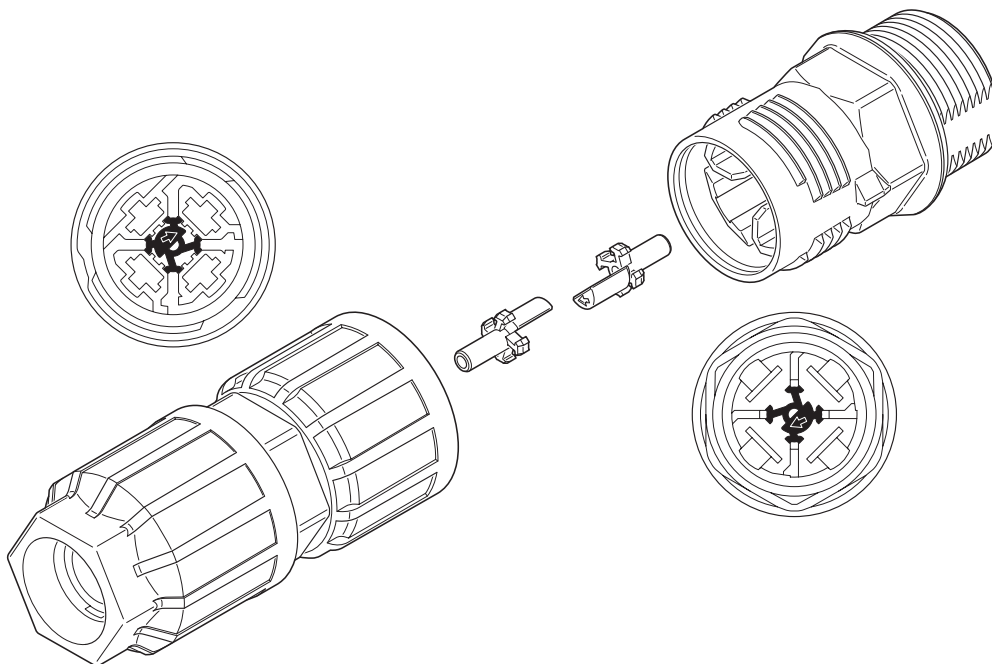
<https://www.phoenixcontact.com/us/products/1425950>

## Drawings

Dimensional drawing



Schematic diagram



Coding of the QUICKON plug-in connection

# CP QPD 4X2,5 - Coding profile



1425950

<https://www.phoenixcontact.com/us/products/1425950>

## Classifications

### ECLASS

ECLASS-13.0	27440203
ECLASS-15.0	27440203

### ETIM

ETIM 10.0	EC002311
-----------	----------

### UNSPSC

UNSPSC 21.0	39121400
-------------	----------

# CP QPD 4X2,5 - Coding profile



1425950

<https://www.phoenixcontact.com/us/products/1425950>

## Environmental product compliance

### EU RoHS

Fulfills EU RoHS substance requirements	Yes, No exemptions
---	--------------------

### China RoHS

Environment friendly use period (EFUP)	EFUP-E
	No hazardous substances above the limits

### EU REACH SVHC

REACH candidate substance (CAS No.)	No substance above 0.1 wt%
-------------------------------------	----------------------------

### EF3.1 Climate Change

CO2e kg	0.03 kg CO2e
---------	--------------

Phoenix Contact 2026 © - all rights reserved  
<https://www.phoenixcontact.com>

Phoenix Contact USA  
586 Fulling Mill Road  
Middletown, PA 17057, United States  
(+717) 944-1300  
[info@phoenixcon.com](mailto:info@phoenixcon.com)