

SAC-3P-M 8Y/2XM 8FS AND - Y distributor



1425476

<https://www.phoenixcontact.com/us/products/1425476>

Please be informed that the data shown in this PDF document is generated from our online catalog. Please find the complete data in the user documentation. Our general terms of use for downloads are valid.



Y distributor, 3-position, Plug straight M8, coding: A, on Socket straight M8, coding: A and Socket straight M8, coding: A, AND wiring

Commercial data

Item number	1425476
Packing unit	1 pc
Minimum order quantity	50 pc
Note	Made to order (non-returnable)
Product key	AF1GAB
GTIN	4055626403939
Weight per piece (including packing)	8.9 g
Weight per piece (excluding packing)	8.9 g
Country of origin	PL

SAC-3P-M 8Y/2XM 8FS AND - Y distributor



1425476

<https://www.phoenixcontact.com/us/products/1425476>

Technical data

Product properties

Product type	Y-distributor
Number of positions	3
No. of cable outlets	2
Coding	A

Insulation characteristics

Overvoltage category	II
Degree of pollution	3

Electrical properties

Insulation resistance	$\geq 10 \text{ G}\Omega$
Nominal voltage U_N	30 V
Nominal current I_N	4 A

Connection data

Connection assignment

Contact Color (signal designation) Contact (optional)	1 (Plug) 1 (Socket 1)
	3 (Plug) 3 (Socket 1) 3 (Socket 2)
	4 (Plug) 4 (Socket 2)
	4 (Socket 1) 1 (Socket 2)

Signaling

Status display	no
Status display present	no

Material specifications

Flammability rating according to UL 94	HB
Seal material	NBR
Material of grip body	TPU, hardly inflammable, self-extinguishing
Contact material	CuZn
Contact surface material	Ni/Au
Contact carrier material	TPU GF
Material for screw connection	Zinc die-cast, nickel-plated

Connector

Connection 1

Type	Plug straight M8
Coding type	A

Connection 2

Type	Socket straight M8
------	--------------------

SAC-3P-M 8Y/2XM 8FS AND - Y distributor



1425476

<https://www.phoenixcontact.com/us/products/1425476>

Coding type	A
-------------	---

Connection 3

Type	Socket straight M8
Coding type	A

Environmental and real-life conditions

Ambient conditions

Degree of protection	IP65
	IP67
Ambient temperature (operation)	-25 °C ... 90 °C

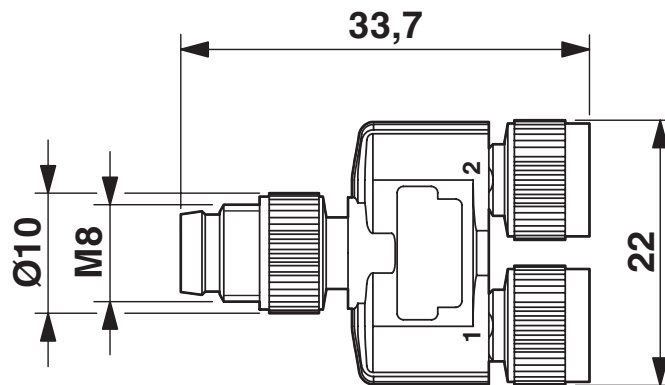
SAC-3P-M 8Y/2XM 8FS AND - Y distributor

1425476

<https://www.phoenixcontact.com/us/products/1425476>

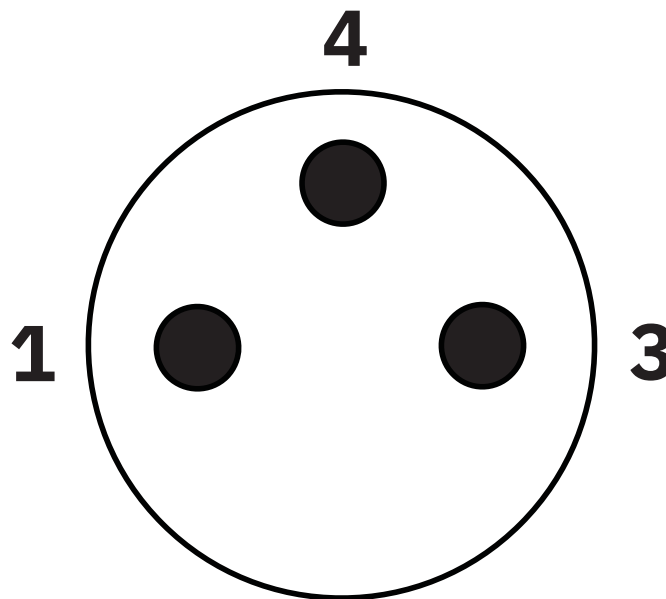
Drawings

Dimensional drawing



M8 Y distributor

Schematic diagram



M8 plug pin assignment, 3-pos., view of pin side

SAC-3P-M 8Y/2XM 8FS AND - Y distributor

1425476

<https://www.phoenixcontact.com/us/products/1425476>

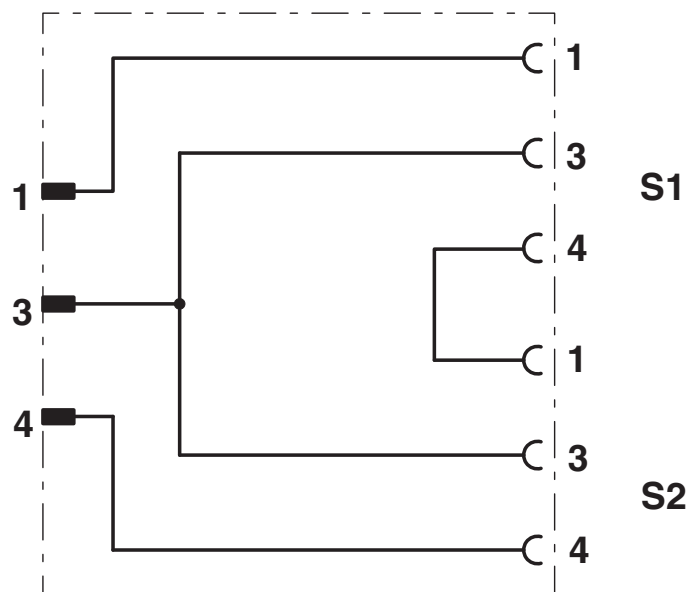


Schematic diagram



Pin assignment M8 socket, 3-pos., view female side

Circuit diagram



Contact assignment of the M8 Y distributor

SAC-3P-M 8Y/2XM 8FS AND - Y distributor





1425476

<https://www.phoenixcontact.com/us/products/1425476>

Approvals

To download certificates, visit the product detail page: <https://www.phoenixcontact.com/us/products/1425476>

 UL Listed Approval ID: FILE E 221474				
	Nominal voltage U_N	Nominal current I_N	Cross section AWG	Cross section mm^2
keine				
	60 V	4 A	-	-

 cUL Listed Approval ID: FILE E 221474				
	Nominal voltage U_N	Nominal current I_N	Cross section AWG	Cross section mm^2
keine				
	60 V	4 A	-	-

SAC-3P-M 8Y/2XM 8FS AND - Y distributor



1425476

<https://www.phoenixcontact.com/us/products/1425476>

Classifications

ECLASS

ECLASS-13.0	27440106
ECLASS-15.0	27440106

ETIM

ETIM 10.0	EC002925
-----------	----------

UNSPSC

UNSPSC 21.0	31251500
-------------	----------

SAC-3P-M 8Y/2XM 8FS AND - Y distributor



1425476

<https://www.phoenixcontact.com/us/products/1425476>

Environmental product compliance

EU RoHS

Fulfills EU RoHS substance requirements	Yes, No exemptions
---	--------------------

China RoHS

Environment friendly use period (EFUP)	EFUP-E
	No hazardous substances above the limits

EU REACH SVHC

REACH candidate substance (CAS No.)	No substance above 0.1 wt%
-------------------------------------	----------------------------

Phoenix Contact 2026 © - all rights reserved
<https://www.phoenixcontact.com>

Phoenix Contact USA
586 Fulling Mill Road
Middletown, PA 17057, United States
(+717) 944-1300
info@phoenixcon.com