

SAC-2P- 15,0-PUR/DTFS 1,5 - Sensor/actuator cable



1425462

<https://www.phoenixcontact.com/us/products/1425462>

Please be informed that the data shown in this PDF document is generated from our online catalog. Please find the complete data in the user documentation. Our general terms of use for downloads are valid.



Sensor/actuator cable, 2-position, PUR halogen-free, black-gray RAL 7021, free cable end, on Socket straight DEUTSCH DT06-2S Clip locking, coding: A, cable length: 15 m

Commercial data

Item number	1425462
Packing unit	1 pc
Minimum order quantity	100 pc
Note	Made to order (non-returnable)
Product key	AF1DWA
GTIN	4055626403205
Weight per piece (including packing)	831.8 g
Weight per piece (excluding packing)	831.8 g
Country of origin	SK

1425462

<https://www.phoenixcontact.com/us/products/1425462>

Technical data

Product properties

Product type	Sensor/actuator cable
Application	Mobile hydraulics
Number of positions	2
No. of cable outlets	1
Shielded	no
Coding	A

Material specifications

Flammability rating according to UL 94	V2
Seal material	Silicon
Material of grip body	TPU
Contact material	Cu alloy
Contact surface material	nickel-plated
Contact carrier material	PA 6.6
Material for screw connection	not available

Electrical properties

Insulation resistance	$\geq 100 \text{ M}\Omega$
Nominal voltage U_N	48 V AC
	48 V DC
Nominal current I_N	8 A

Signaling

Status display	no
Status display present	no

Connector

Connection 1

Type	free cable end
------	----------------

Connection 2

Type	Socket straight DEUTSCH DT06-2S Clip locking
Number of positions	2
Locking type	Clip locking
Coding type	A

Cable/line

Cable length	15 m
--------------	------

PUR halogen-free black [PUR]

Cable weight	57 kg/km
--------------	----------

SAC-2P- 15,0-PUR/DTFS 1,5 - Sensor/actuator cable



1425462

<https://www.phoenixcontact.com/us/products/1425462>

UL AWM Style	20233 / 10493 (80°C/300 V)
Number of positions	2
Cable type	PUR halogen-free black [PUR]
Conductor structure signal line	78x 0.15 mm
AWG signal line	16
Conductor cross-section	2x 1.5 mm ²
Wire diameter incl. insulation	2.25 mm ±0.05 mm
External cable diameter	6.40 mm ±0.2 mm
Outer sheath, material	PUR
External sheath, color	black-gray RAL 7021
Conductor material	Bare Cu litz wires
Material wire insulation	PP
Single wire, color	brown, blue
Thickness, outer sheath	≥ 0.76 mm
Max. conductor resistance	≤ 14.5 Ω/km (at 20 °C)
Insulation resistance	≥ 1 GΩ*km (at 20 °C)
Nominal voltage, cable	≤ 300 V AC
Test voltage	≥ 3000 V AC (Spark test)
Minimum bending radius, fixed installation	5 x D
Minimum bending radius, flexible installation	10 x D
Smallest bending radius, fixed installation	32 mm
Smallest bending radius, movable installation	64 mm
Halogen-free	in accordance with DIN VDE 0472 part 815 in accordance with DIN EN 50267-2-1
Flame resistance	According to UL 758/1581 (Cable Flame) according to UL 758/1581 FT1 According to DIN EN 60332-1-2 (60 s)
Concentration of fumes	Degree of transmission < 60 %
Resistance to oil	According to DIN EN 60811-2-1, 168 h at 100°C
Other resistance	hydrolysis and microbe resistant Resistant to salt water Low adhesion abrasion-resistant
Special properties	flexible
Ambient temperature (operation)	-50 °C ... 80 °C (cable, fixed installation) -30 °C ... 80 °C (Cable, flexible installation)

Environmental and real-life conditions

Ambient conditions

Degree of protection	IP67
Ambient temperature (operation) (male connector/female connector)	-20 °C ... 85 °C (Plug / socket)

SAC-2P- 15,0-PUR/DTFS 1,5 - Sensor/actuator cable

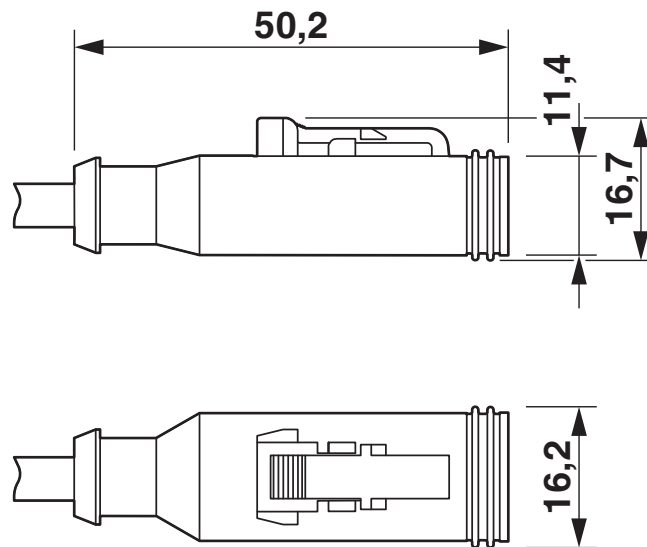
1425462

<https://www.phoenixcontact.com/us/products/1425462>



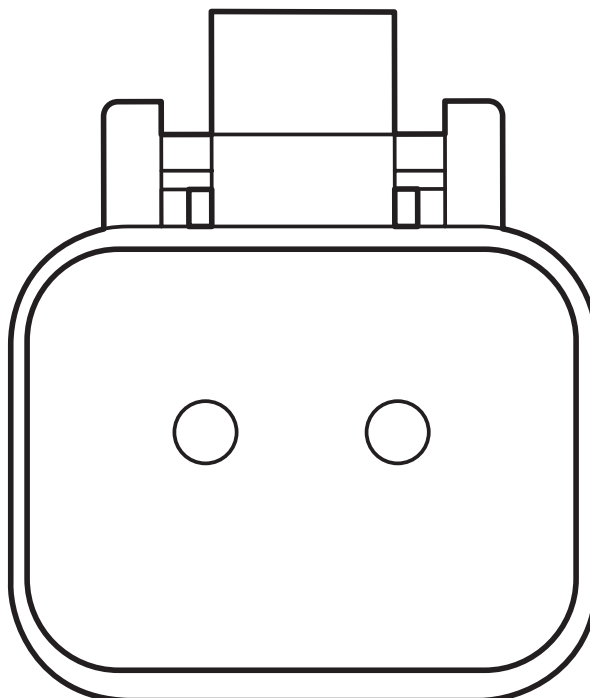
Drawings

Dimensional drawing



DEUTSCH DT06-2S, top view and side view

Schematic diagram



DEUTSCH DT06-2S pin assignment

SAC-2P- 15,0-PUR/DTFS 1,5 - Sensor/actuator cable



1425462

<https://www.phoenixcontact.com/us/products/1425462>

Classifications

ECLASS

ECLASS-13.0	27060311
ECLASS-15.0	27060311

ETIM

ETIM 10.0	EC001855
-----------	----------

UNSPSC

UNSPSC 21.0	26121600
-------------	----------

1425462

<https://www.phoenixcontact.com/us/products/1425462>

Environmental product compliance

EU RoHS

Fulfills EU RoHS substance requirements	Yes
Exemption	6(c)

China RoHS

Environment friendly use period (EFUP)	EFUP-50
	An article-related China RoHS declaration table can be found in the download area for the respective article under "Manufacturer declaration". For all articles with EFUP-E, no China RoHS declaration table issued and required.

EU REACH SVHC

REACH candidate substance (CAS No.)	Lead(CAS: 7439-92-1)
SCIP	83557af9-74ac-4957-b42e-5ade2b089cfe

Phoenix Contact 2026 © - all rights reserved

<https://www.phoenixcontact.com>

Phoenix Contact USA
 586 Fulling Mill Road
 Middletown, PA 17057, United States
 (+717) 944-1300
info@phoenixcon.com