

# SACC-E-M12FS-17P-M16XL/1,5 - Device connector front mounting



1425197

<https://www.phoenixcontact.com/us/products/1425197>

Please be informed that the data shown in this PDF document is generated from our online catalog. Please find the complete data in the user documentation. Our general terms of use for downloads are valid.



The figure shows the 12-pos. product version

Device connector front mounting, Universal, 17-position, Socket, straight, M12, A-coding, on free cable end, Individual wires, cable length: 1.5 m, 0.14 mm<sup>2</sup>, TPE litz wire, Alternative product in accordance with RoHS II without Exemption 6c (Pb < 0.1 %) item no.: 1239500

## Your advantages

- Easy-to-install, optimized XL housing contour with wrench size 19
- Mechanical tightening limitation for long-term-stable gasket
- Preassembled with litz wires for immediate use
- Customer-specific assemblies and litz wire lengths available
- Sealed on the litz wire side for optimum leak-tightness
- All standard pin assignments and codings for signal, data, and power transmission with a uniform design-in design
- For high transmission safety: shield connection to the housing with optional EMC nut

## Commercial data

Item number	1425197
Packing unit	1 pc
Minimum order quantity	50 pc
Product key	ABQCFB
GTIN	4055626387123
Weight per piece (including packing)	75.6 g
Weight per piece (excluding packing)	75.127 g
Country of origin	DE

# SACC-E-M12FS-17P-M16XL/1,5 - Device connector front mounting



1425197

<https://www.phoenixcontact.com/us/products/1425197>

## Technical data

### Notes

Notes on operation	The electrical and mechanical data specified assume that the connector pair is correctly locked and mounted. If the connector is unlocked and if there is a danger of contamination, the connector must be sealed using a protective cap > IP54. Influences arising from litz wires, cables or PCB assembly must also be taken into consideration.
--------------------	--

### Mounting

Mounting type	Front mounting
Tightening torque	0.8 Nm ... 1.3 Nm (Installation-side)

### Product properties

Product type	Circular connectors (device side)
Number of positions	17
No. of cable outlets	1
Shielded	no
Coding	A
Thread type	M12

### Insulation characteristics

Overvoltage category	II
Degree of pollution	3

### Material specifications

Flammability rating according to UL 94	V0
Seal material	FKM
Contact material	CuZn
Contact surface material	Au
Contact carrier material	PA 6.6
Material for screw connection	Zinc die-cast, nickel-plated
Conductor material	Tin-plated Cu litz wires

### Electrical properties

Rated surge voltage	0.8 kV
Contact resistance	≤ 3 mΩ
Insulation resistance	≥ 100 MΩ
Nominal voltage $U_N$	30 V
Nominal current $I_N$	1.5 A
Max. conductor resistance	57.6 mΩ/m

### Connection data

# SACC-E-M12FS-17P-M16XL/1,5 - Device connector front mounting



1425197

<https://www.phoenixcontact.com/us/products/1425197>

## Conductor connection

Connection method	Individual wires
Contact connection type	Socket
Conductor cross-section	0.14 mm <sup>2</sup>
Tightening torque	0.8 Nm ... 1.3 Nm (Installation-side)

## Mechanical properties

### Mechanical data

Insertion/withdrawal cycles	> 100
-----------------------------	-------

## Connector

### Connection 1

Head design	Socket
Head cable outlet	straight
Head thread type	M12
Coding	A

### Connection 2

Head design	free cable end
-------------	----------------

## Cable/line

Cable length	1.5 m
Cable type	TPE litz wire
Signal type/category	Universal
Wire diameter incl. insulation	1.1 mm ±0.05 mm
Single wire, color	brown, blue, white, green, pink, yellow, black, gray, red, violet, gray/pink, red/blue, white/green, brown/green, white/yellow, yellow/brown, white/gray
Cable cross section	0.14 mm <sup>2</sup>
Conductor material	Tin-plated Cu litz wires
Conductor structure signal line	7x 0.16 mm
AWG signal line	26
Material wire insulation	TPE
Thickness, insulation	0.21 mm (Core insulation)
Nominal voltage, cable	300 V
Test voltage, cable	2000 V AC
Cable resistance	≤ 57.6 mΩ/m
Cable insulation resistance	≥ 20 MΩ*km
Ambient temperature (operation)	-40 °C ... 85 °C (cable, fixed installation) -25 °C ... 85 °C (Cable, flexible installation)

## Environmental and real-life conditions

# SACC-E-M12FS-17P-M16XL/1,5 - Device connector front mounting



1425197

<https://www.phoenixcontact.com/us/products/1425197>

## Ambient conditions

Degree of protection	IP67
	IP65/IP67
Ambient temperature (operation) (male connector/female connector)	-25 °C ... 85 °C (Plug / socket)
	-40 °C ... 85 °C (without mechanical actuation)
Ambient temperature (operation) (Cable, flexible installation)	-25 °C ... 85 °C (Cable, flexible installation)
Ambient temperature (operation) (Cable, fixed installation)	-40 °C ... 85 °C (cable, fixed installation)

## Standards and regulations

### M12

Standard designation	M12 connector
Standards/specifications	IEC 61076-2-101

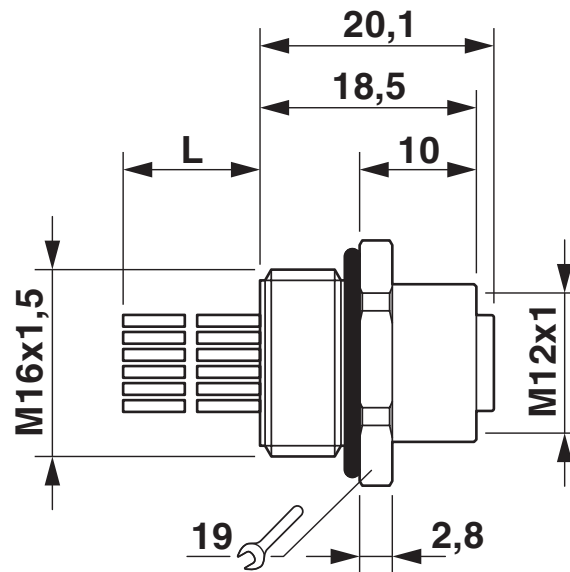
# SACC-E-M12FS-17P-M16XL/1,5 - Device connector front mounting

1425197

<https://www.phoenixcontact.com/us/products/1425197>

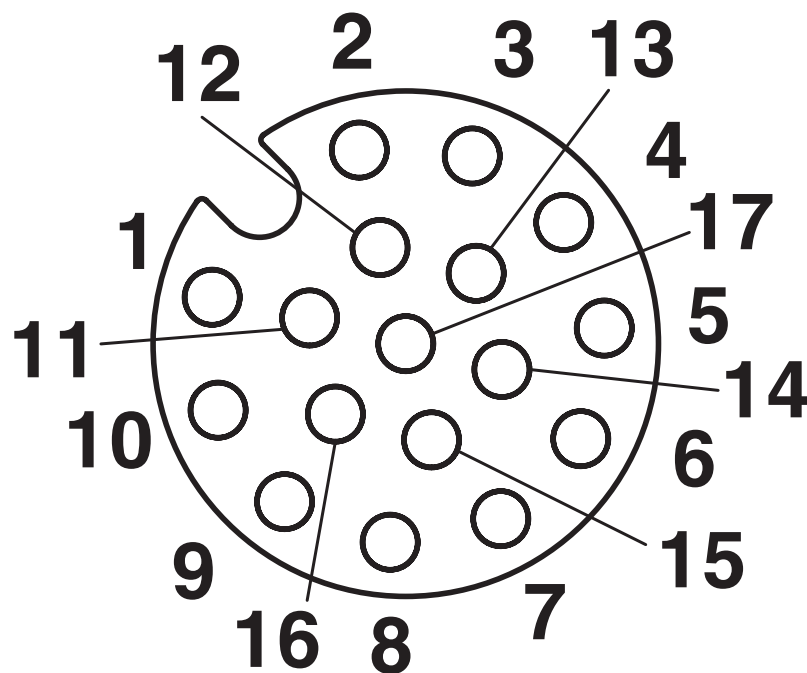
## Drawings

Dimensional drawing



M12 flush-type socket

Schematic diagram



Pin assignment M12, 17-pos., socket side view

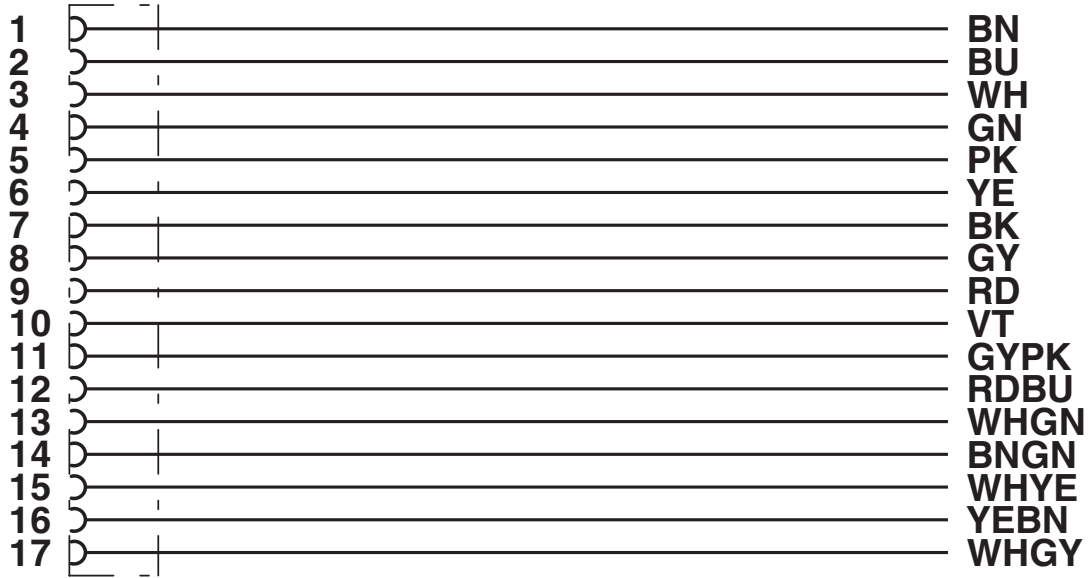
# SACC-E-M12FS-17P-M16XL/1,5 - Device connector front mounting



1425197

<https://www.phoenixcontact.com/us/products/1425197>

Circuit diagram



Contact assignment of the M12 socket

# SACC-E-M12FS-17P-M16XL/1,5 - Device connector front mounting



1425197

<https://www.phoenixcontact.com/us/products/1425197>

## Classifications

### ECLASS

ECLASS-13.0	27440116
-------------	----------

### UNSPSC

UNSPSC 21.0	39121400
-------------	----------

# SACC-E-M12FS-17P-M16XL/1,5 - Device connector front mounting



1425197

<https://www.phoenixcontact.com/us/products/1425197>

## Environmental product compliance

### EU RoHS

Fulfills EU RoHS substance requirements	Yes
Exemption	6(c)

### China RoHS

Environment friendly use period (EFUP)	EFUP-50
	An article-related China RoHS declaration table can be found in the download area for the respective article under "Manufacturer declaration". For all articles with EFUP-E, no China RoHS declaration table issued and required.

### EU REACH SVHC

REACH candidate substance (CAS No.)	Lead(CAS: 7439-92-1)
SCIP	7e8ae279-382c-495b-835b-fc23ad789b97

Phoenix Contact 2026 © - all rights reserved

<https://www.phoenixcontact.com>

Phoenix Contact USA  
586 Fulling Mill Road  
Middletown, PA 17057, United States  
(+717) 944-1300  
[info@phoenixcon.com](mailto:info@phoenixcon.com)