

# SI-RND-U1A - Data interface

1425185

<https://www.phoenixcontact.com/us/products/1425185>

Please be informed that the data shown in this PDF document is generated from our online catalog. Please find the complete data in the user documentation. Our general terms of use for downloads are valid.

Service socket with USB A 3.0 (socket/socket), with protective cover



## Commercial data

Item number	1425185
Packing unit	1 pc
Minimum order quantity	1 pc
Sales key	BF69
Product key	AF7EGX
GTIN	4055626386713
Weight per piece (including packing)	23.12 g
Weight per piece (excluding packing)	21.8 g
Customs tariff number	85366990
Country of origin	DE

1425185

<https://www.phoenixcontact.com/us/products/1425185>

## Technical data

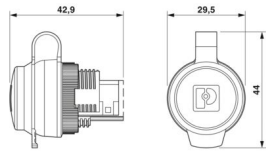
### Product properties

Product type	Data front plate
Number of positions	4
Connection profile	USB-A

### Electrical properties

Insulation resistance	> 1000 MΩ
Transmission speed	USB 3.0 (socket/socket) type: A

### Dimensions

Dimensional drawing	
Width	29.5 mm
Height	42.7 mm

### Material specifications

Material Housing	PA
Material Shield	Stainless steel, nickel plated (360° shield contact)
Flammability rating according to UL 94	V0
Contact material	Copper alloy
Contact surface material	gold-plated

### Mechanical properties

#### Mechanical data

Insertion/withdrawal cycles	≥ 1500
-----------------------------	--------

### Environmental and real-life conditions

#### Ambient conditions

Degree of protection	IP65 (with closed protective cover)
Ambient temperature (operation)	-40 °C ... 70 °C

### Standards and regulations

Standard designation	Connector standard
Standards/specifications	IEC 60176-3-107
Standard designation	UL standard for communication accessories
Standards/specifications	UL 1863

# SI-RND-U1A - Data interface



1425185

<https://www.phoenixcontact.com/us/products/1425185>

## Mounting

Assembly note

Panel thickness: 1 mm ... 3 mm

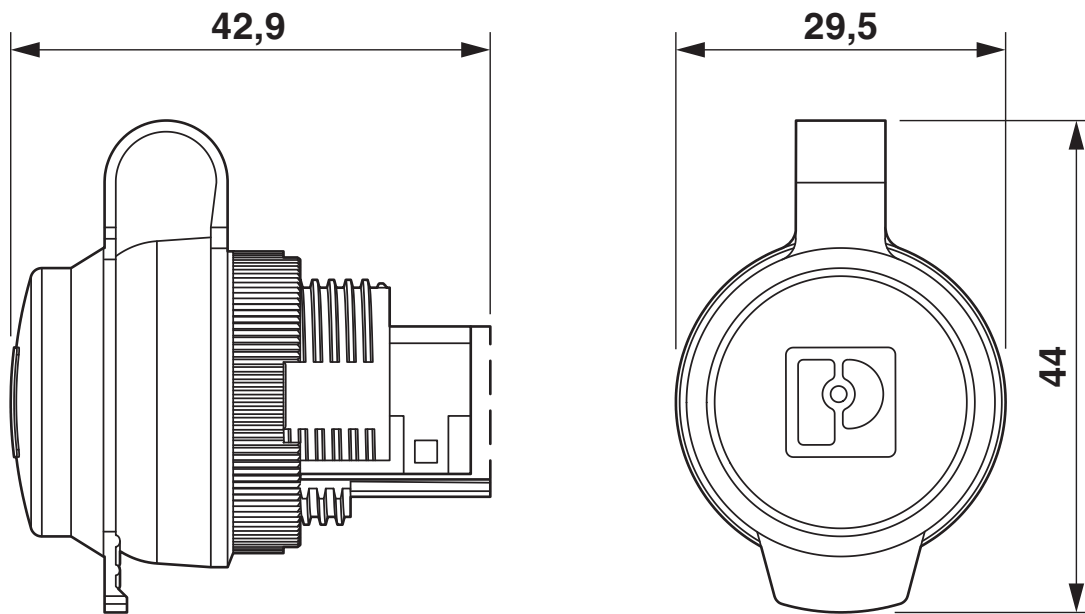
# SI-RND-U1A - Data interface

1425185

<https://www.phoenixcontact.com/us/products/1425185>

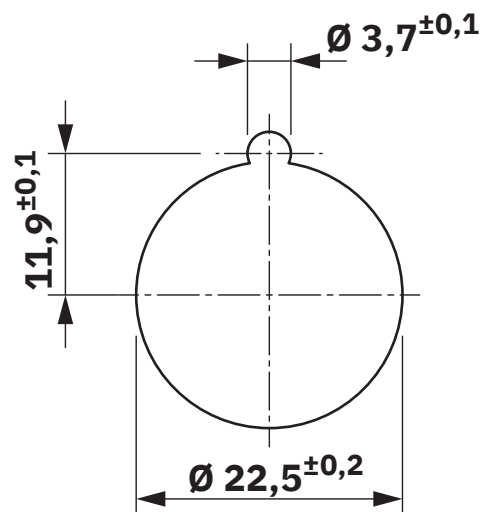
## Drawings

Dimensional drawing



Dimensional drawing

Dimensional drawing



Mounting cutout

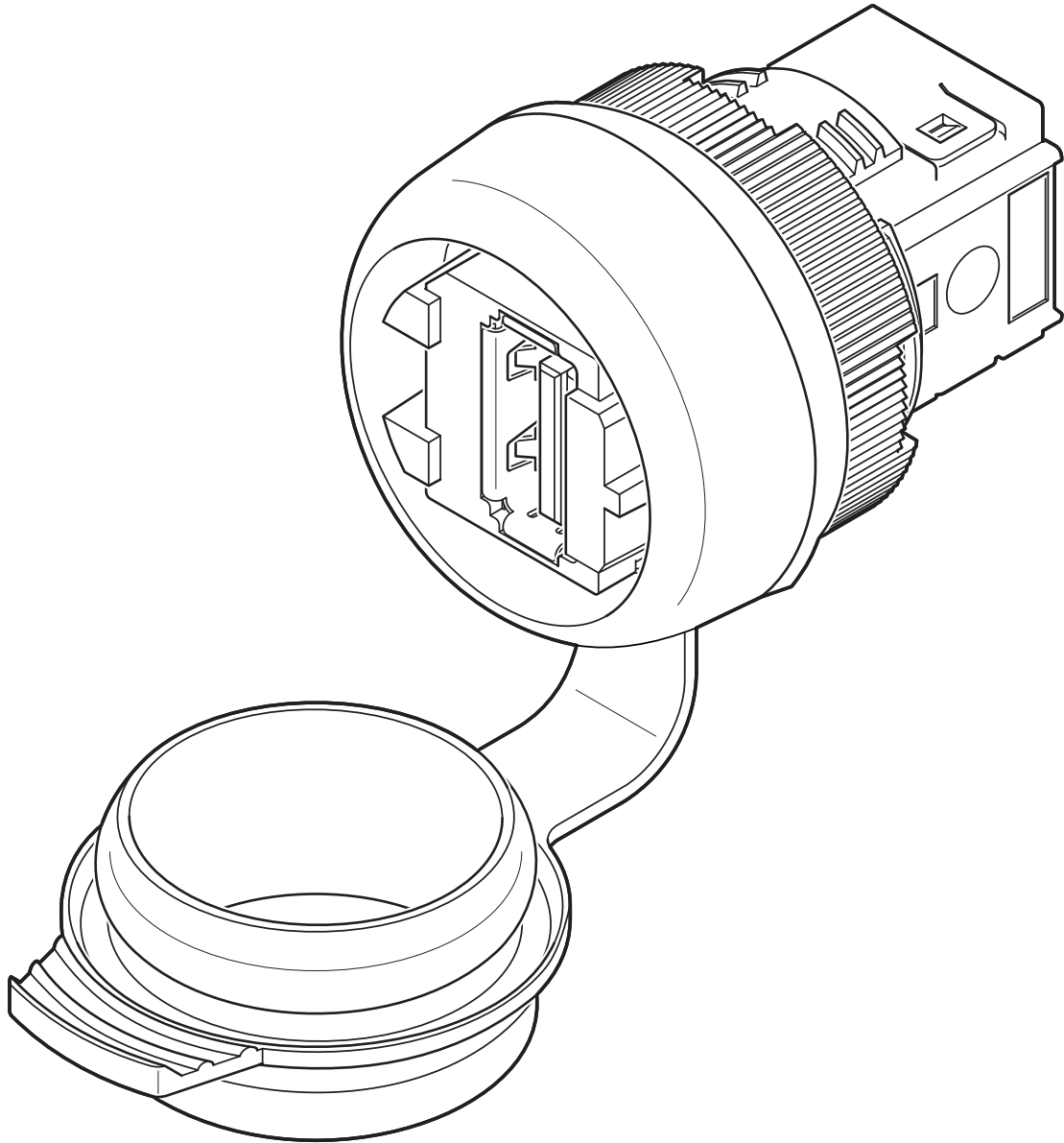
# SI-RND-U1A - Data interface

1425185

<https://www.phoenixcontact.com/us/products/1425185>



Schematic diagram



Schematic drawing 1

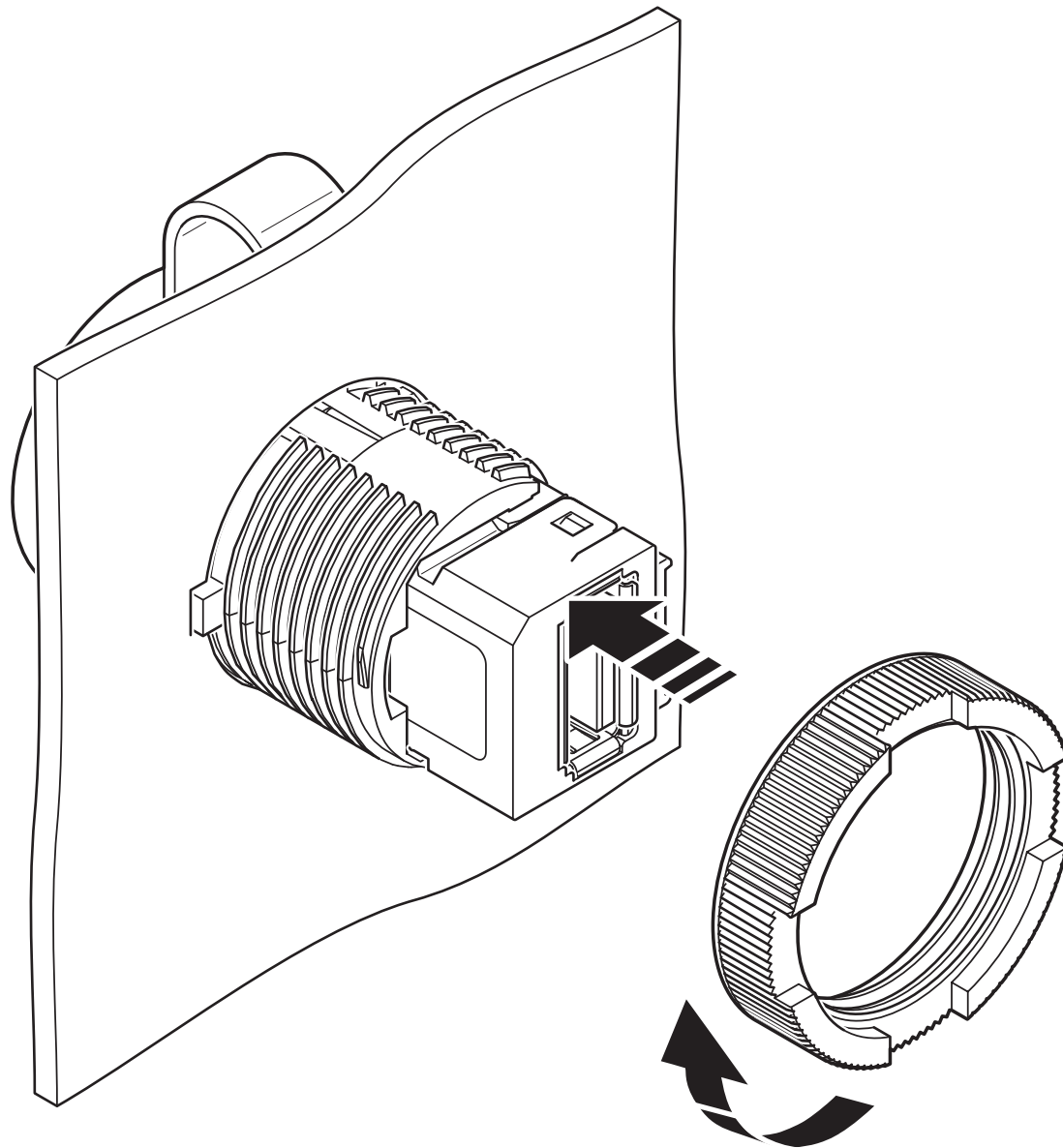
# SI-RND-U1A - Data interface

1425185

<https://www.phoenixcontact.com/us/products/1425185>



Schematic diagram



Schematic drawing 2

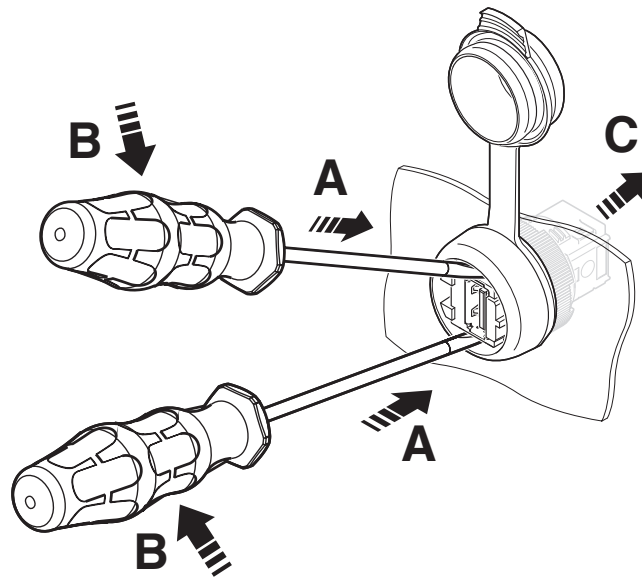
# SI-RND-U1A - Data interface

1425185

<https://www.phoenixcontact.com/us/products/1425185>



Schematic diagram



Schematic drawing 3

# SI-RND-U1A - Data interface



1425185

<https://www.phoenixcontact.com/us/products/1425185>

## Approvals

🔗 To download certificates, visit the product detail page: <https://www.phoenixcontact.com/us/products/1425185>



**UL Listed**

Approval ID: FILE E 335024



**cUL Listed**

Approval ID: FILE E 335024

# SI-RND-U1A - Data interface



1425185

<https://www.phoenixcontact.com/us/products/1425185>

## Classifications

### ECLASS

ECLASS-13.0	27440209
ECLASS-15.0	27440109

### ETIM

ETIM 10.0	EC002641
-----------	----------

### UNSPSC

UNSPSC 21.0	39121300
-------------	----------

1425185

<https://www.phoenixcontact.com/us/products/1425185>

## Environmental product compliance

### EU RoHS

Fulfills EU RoHS substance requirements	Yes
Exemption	6(c)

### China RoHS

Environment friendly use period (EFUP)	EFUP-50
	An article-related China RoHS declaration table can be found in the download area for the respective article under "Manufacturer declaration". For all articles with EFUP-E, no China RoHS declaration table issued and required.

### EU REACH SVHC

REACH candidate substance (CAS No.)	Lead(CAS: 7439-92-1)
SCIP	2ff81944-64e5-4b9f-b015-9bdc4b399c0e

### EF3.1 Climate Change

CO2e kg	2.451 kg CO2e
---------	---------------

Phoenix Contact 2026 © - all rights reserved  
<https://www.phoenixcontact.com>

Phoenix Contact USA  
586 Fulling Mill Road  
Middletown, PA 17057, United States  
(+717) 944-1300  
[info@phoenixcon.com](mailto:info@phoenixcon.com)