

SAC-4P-M12MSL/3,0-110/FSL - Power cable



1425064

<https://www.phoenixcontact.com/us/products/1425064>

Please be informed that the data shown in this PDF document is generated from our online catalog. Please find the complete data in the user documentation. Our general terms of use for downloads are valid.



Power cable, 4-position, PVC, black-gray RAL 7021, Plug straight M12, coding: L, on Socket straight M12, coding: L, cable length: 3 m, For direct current up to 12 A/63 V

Your advantages

- Easy and safe: 100 % electrically tested plug-in components
- Protection against mismatching, thanks to special L-coding

Commercial data

Item number	1425064
Packing unit	1 pc
Minimum order quantity	1 pc
Sales key	BF05
Product key	AF1CCR
GTIN	4055626384023
Weight per piece (including packing)	355.22 g
Weight per piece (excluding packing)	350.52 g
Customs tariff number	85444290
Country of origin	PL

1425064

<https://www.phoenixcontact.com/us/products/1425064>

Technical data

Product properties

Product type	Power cable
Application	Energy supply
Number of positions	4
No. of cable outlets	1
Shielded	no
Coding	L

Insulation characteristics

Overvoltage category	III
Degree of pollution	3

Material specifications

Flammability rating according to UL 94	V0
Material of grip body	PP
Contact material	CuZn
Contact surface material	Ni/Au
Contact carrier material	PA
Material for screw connection	Zinc die-cast, nickel-plated

Electrical properties

Insulation resistance	$\geq 100 \text{ M}\Omega$
Nominal voltage U_N	63 V DC
Nominal current I_N	12 A

Mechanical properties

Mechanical data

Insertion/withdrawal cycles	≥ 100
-----------------------------	------------

Connector

Connection 1

Type	Plug straight M12
Coding type	L (Power)

Connection 2

Type	Socket straight M12
Coding type	L (Power)

Cable/line

Cable length	3 m
--------------	-----

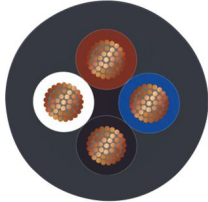
PVC 1.5 mm² black [110]

SAC-4P-M12MSL/3,0-110/FSL - Power cable



1425064

<https://www.phoenixcontact.com/us/products/1425064>

Dimensional drawing	
Cable weight	108 kg/km
UL AWM Style	20233 / 10493 (80°C/300 V)
Number of positions	4
Shielded	no
Cable type	PVC 1.5 mm ² black [110]
Conductor structure, voltage supply	78x 0.15 mm
AWG power supply	16
Conductor cross-section	4x 1.5 mm ²
Wire diameter incl. insulation	2.35 mm ±0.05 mm
External cable diameter	7.55 mm ±0.25 mm
Outer sheath, material	PVC
External sheath, color	black-gray RAL 7021
Conductor material	Bare Cu litz wires
Material wire insulation	PVC
Single wire, color	brown, white, blue, black
Thickness, insulation	≥ 0.25 mm
Thickness, outer sheath	approx. 1.30 mm
Max. conductor resistance	≤ 13 Ω/km (at 20 °C)
Insulation resistance	≥ 1 GΩ*km (at 20 °C)
Nominal voltage, cable	≤ 300 V AC
Test voltage	≥ 3000 V AC (Spark test)
Minimum bending radius, fixed installation	5 x D
Minimum bending radius, flexible installation	10 x D
Smallest bending radius, fixed installation	38 mm
Smallest bending radius, movable installation	76 mm
Dynamic load capacity (bending)	Max. bending cycles: 2000000, Bending radius: 10 x D, Traversing path: 10 m, Traversing rate: 3 m/s, Acceleration: 10 m/s ²
Flame resistance	According to UL 758/1581 (Cable Flame) according to UL 758/1581 FT1 According to DIN EN 60332-1-2
Resistance to oil	according to DIN EN 60811-404, 168 h at 60 °C
Ambient temperature (operation)	-40 °C ... 80 °C (cable, fixed installation) -20 °C ... 80 °C (Cable, flexible installation)

Environmental and real-life conditions

SAC-4P-M12MSL/3,0-110/FSL - Power cable



1425064

<https://www.phoenixcontact.com/us/products/1425064>

Ambient conditions

Degree of protection	IP65
	IP67
Ambient temperature (operation) (male connector/female connector)	-25 °C ... 85 °C (Plug / socket)

Standards and regulations

Standard designation	M12 connector
Standards/specifications	IEC 61076-2-111

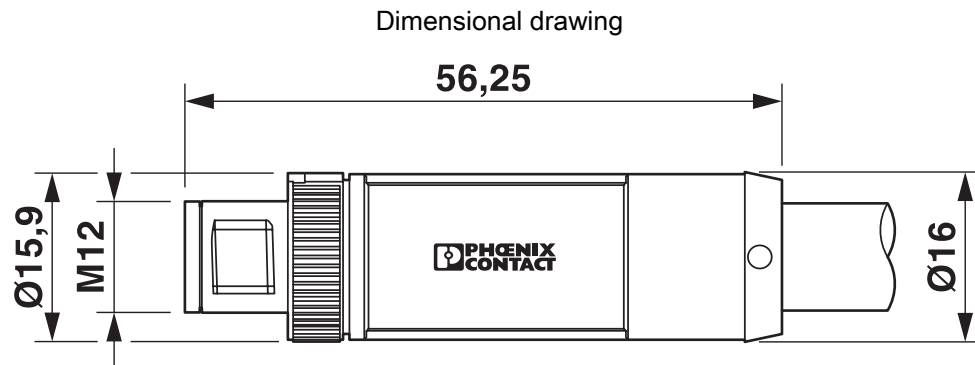
SAC-4P-M12MSL/3,0-110/FSL - Power cable



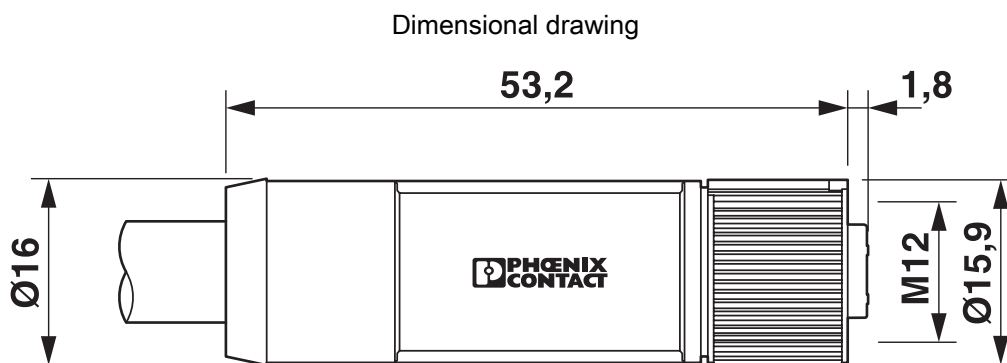
1425064

<https://www.phoenixcontact.com/us/products/1425064>

Drawings



Plug, M12 x 1, straight, shielded

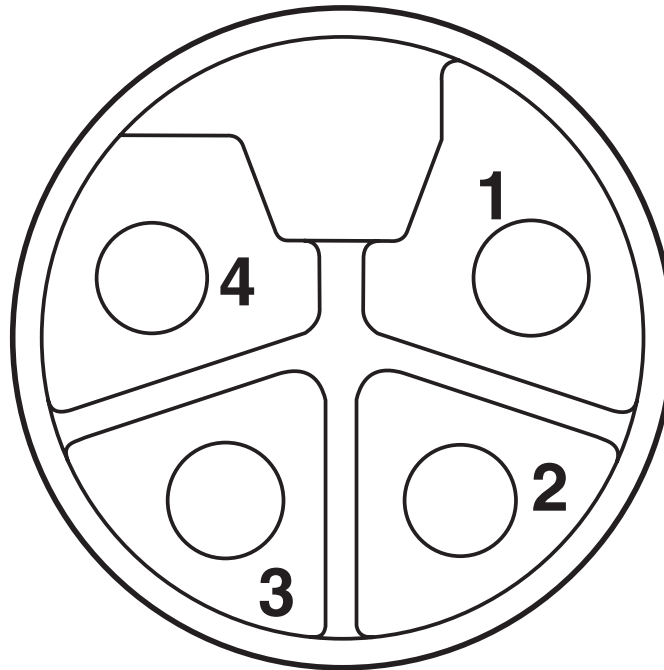


M12 x 1 socket, straight

1425064

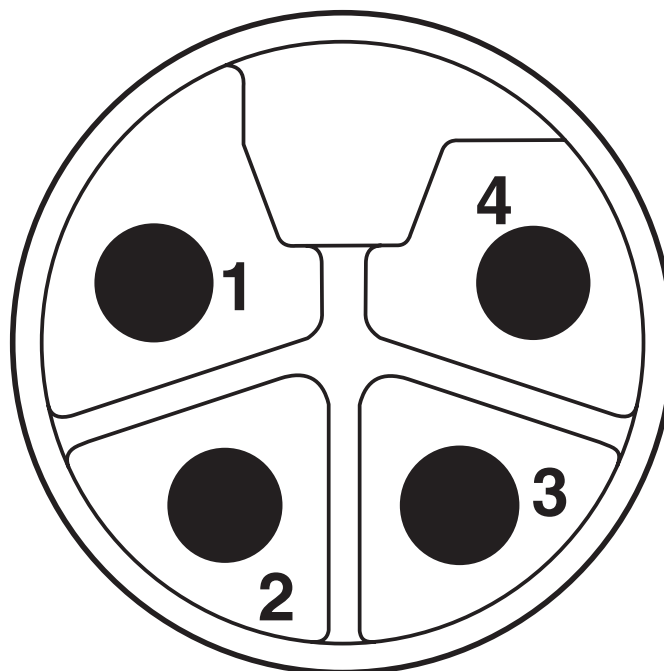
<https://www.phoenixcontact.com/us/products/1425064>

Schematic diagram

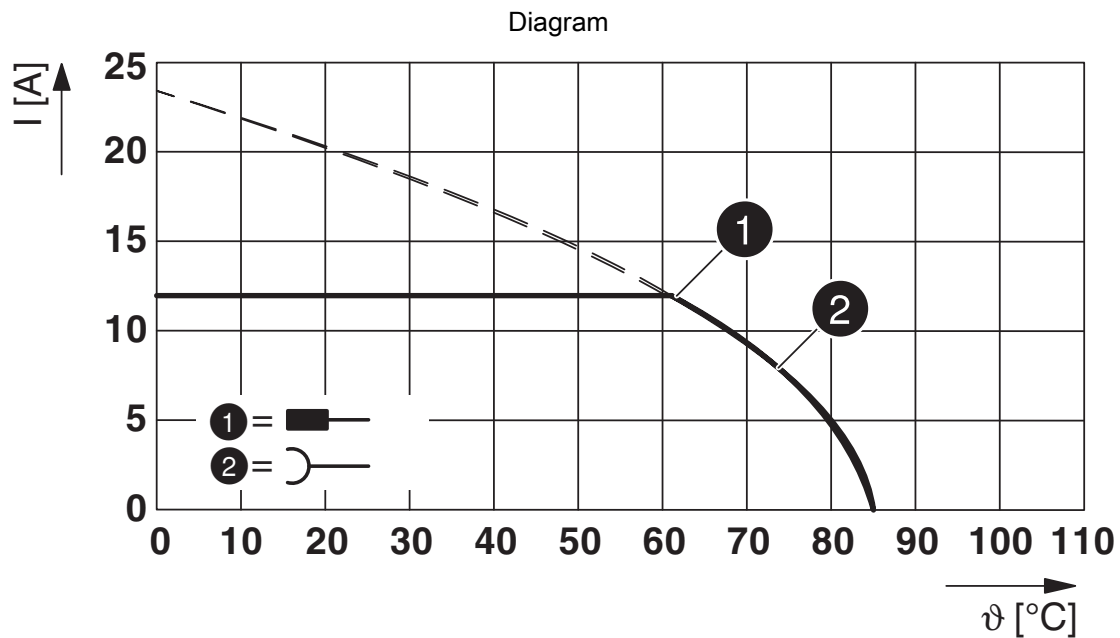


Pin assignment of M12 socket, 4-pos.

Schematic diagram

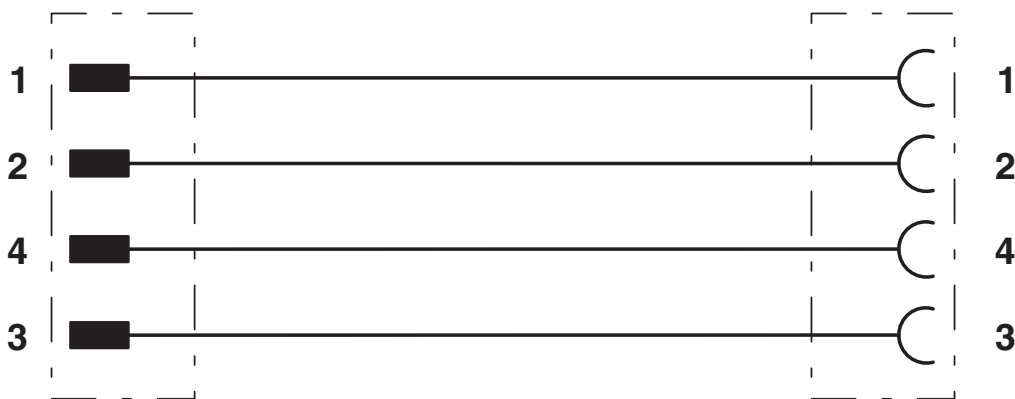


Pin assignment M12 male connector, 4-pos.



Base curve

Circuit diagram



Contact assignment of M12 connector/socket

SAC-4P-M12MSL/3,0-110/FSL - Power cable



1425064

<https://www.phoenixcontact.com/us/products/1425064>

Approvals

🔗 To download certificates, visit the product detail page: <https://www.phoenixcontact.com/us/products/1425064>



UL Listed

Approval ID: E468743



cUL Listed

Approval ID: E468743



EAC-RoHS

Approval ID: RU D-DE.HB35.B.00387

SAC-4P-M12MSL/3,0-110/FSL - Power cable



1425064

<https://www.phoenixcontact.com/us/products/1425064>

Classifications

ECLASS

ECLASS-13.0	27060327
ECLASS-15.0	27060327

ETIM

ETIM 10.0	EC001855
-----------	----------

UNSPSC

UNSPSC 21.0	26121600
-------------	----------

SAC-4P-M12MSL/3,0-110/FSL - Power cable



1425064

<https://www.phoenixcontact.com/us/products/1425064>

Environmental product compliance

EU RoHS

Fulfills EU RoHS substance requirements	Yes, No exemptions
---	--------------------

China RoHS

Environment friendly use period (EFUP)	EFUP-E
	No hazardous substances above the limits

EU REACH SVHC

REACH candidate substance (CAS No.)	No substance above 0.1 wt%
-------------------------------------	----------------------------

EF3.1 Climate Change

CO2e kg	4.915 kg CO2e
---------	---------------

Phoenix Contact 2026 © - all rights reserved
<https://www.phoenixcontact.com>

Phoenix Contact USA
586 Fulling Mill Road
Middletown, PA 17057, United States
(+717) 944-1300
info@phoenixcon.com