

# SAC-5P-M12MSL/0,3-500/FSL FE - Power cable



1425013

<https://www.phoenixcontact.com/us/products/1425013>

Please be informed that the data shown in this PDF document is generated from our online catalog. Please find the complete data in the user documentation. Our general terms of use for downloads are valid.



Power cable, 5-position, PVC, gray RAL 7001, Plug straight M12, coding: L, on Socket straight M12, coding: L, cable length: 0.3 m, for direct current up to 16 A/63 V

## Your advantages

- Easy and safe: 100 % electrically tested plug-in components
- Protection against mismatching, thanks to special L-coding

## Commercial data

Item number	1425013
Packing unit	1 pc
Minimum order quantity	1 pc
Sales key	BF05
Product key	AF1CDP
GTIN	4055626383507
Weight per piece (including packing)	109 g
Weight per piece (excluding packing)	109 g
Customs tariff number	85444290
Country of origin	PL

1425013

<https://www.phoenixcontact.com/us/products/1425013>

## Technical data

### Product properties

Product type	Power cable
Application	Energy supply
Number of positions	5
No. of cable outlets	1
Shielded	no
Coding	L

### Insulation characteristics

Overvoltage category	III
Degree of pollution	3

### Material specifications

Flammability rating according to UL 94	V0
Material of grip body	PP
Contact material	CuZn
Contact surface material	Ni/Au
Contact carrier material	PA
Material for screw connection	Zinc die-cast, nickel-plated

### Electrical properties

Insulation resistance	$\geq 100 \text{ M}\Omega$
Nominal voltage $U_N$	63 V DC
Nominal current $I_N$	16 A

### Mechanical properties

#### Mechanical data

Insertion/withdrawal cycles	$\geq 100$
-----------------------------	------------

### Connector

#### Connection 1

Type	Plug straight M12
Coding type	L (Power)

#### Connection 2

Type	Socket straight M12
Coding type	L (Power)

### Cable/line

Cable length	0.3 m
--------------	-------

PVC gray [500]

# SAC-5P-M12MSL/0,3-500/FSL FE - Power cable



1425013

<https://www.phoenixcontact.com/us/products/1425013>

Dimensional drawing	
Cable weight	205 kg/km
UL AWM Style	2464 (80°C/300 V)
Number of positions	5
Shielded	no
Cable type	PVC gray [500]
Conductor structure, voltage supply	141x 0.15 mm
AWG power supply	14
Conductor cross-section	5x 2.5 mm <sup>2</sup>
Wire diameter incl. insulation	3 mm ±0.1 mm
External cable diameter	10.10 mm ±0.3 mm
Outer sheath, material	PVC
External sheath, color	gray RAL 7001
Conductor material	Bare Cu litz wires
Material wire insulation	PVC
Single wire, color	brown, white, blue, black, pink
Thickness, insulation	≥ 0.36 mm
Thickness, outer sheath	approx. 0.76 mm
Max. conductor resistance	≤ 8 Ω/km (at 20 °C)
Insulation resistance	≥ 100 MΩ*km (at 20 °C)
Nominal voltage, cable	≤ 300 V AC
Test voltage	≥ 3000 V AC (Spark test)
Minimum bending radius, fixed installation	5 x D
Minimum bending radius, flexible installation	10 x D
Smallest bending radius, fixed installation	51 mm
Smallest bending radius, movable installation	101 mm
Dynamic load capacity (bending)	Max. bending cycles: 2000000, Bending radius: 10 x D, Traversing path: 10 m, Traversing rate: 3 m/s, Acceleration: 10 m/s <sup>2</sup>
Flame resistance	According to UL 758/1581 (Cable Flame) according to UL 758/1581 FT1 According to DIN EN 60332-1-2
Resistance to oil	according to DIN EN 60811-404, 168 h at 60 °C
Ambient temperature (operation)	-40 °C ... 80 °C (cable, fixed installation) -20 °C ... 80 °C (Cable, flexible installation)

## Environmental and real-life conditions

# SAC-5P-M12MSL/0,3-500/FSL FE - Power cable



1425013

<https://www.phoenixcontact.com/us/products/1425013>

## Ambient conditions

Degree of protection	IP65
	IP67
Ambient temperature (operation) (male connector/female connector)	-25 °C ... 85 °C (Plug / socket)

## Standards and regulations

Standard designation	M12 connector
Standards/specifications	IEC 61076-2-111

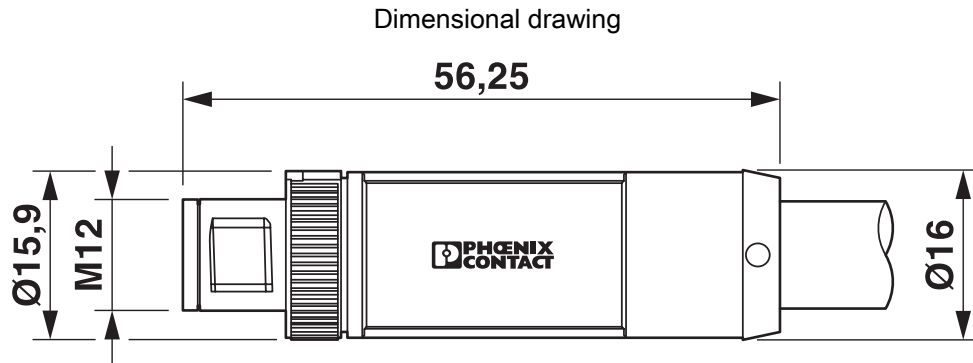
# SAC-5P-M12MSL/0,3-500/FSL FE - Power cable



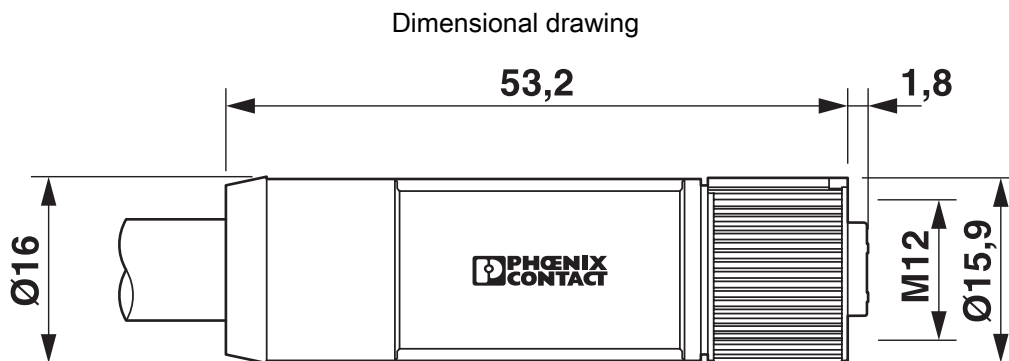
1425013

<https://www.phoenixcontact.com/us/products/1425013>

## Drawings



Plug, M12 x 1, straight, shielded



M12 x 1 socket, straight

1425013

<https://www.phoenixcontact.com/us/products/1425013>

Schematic diagram

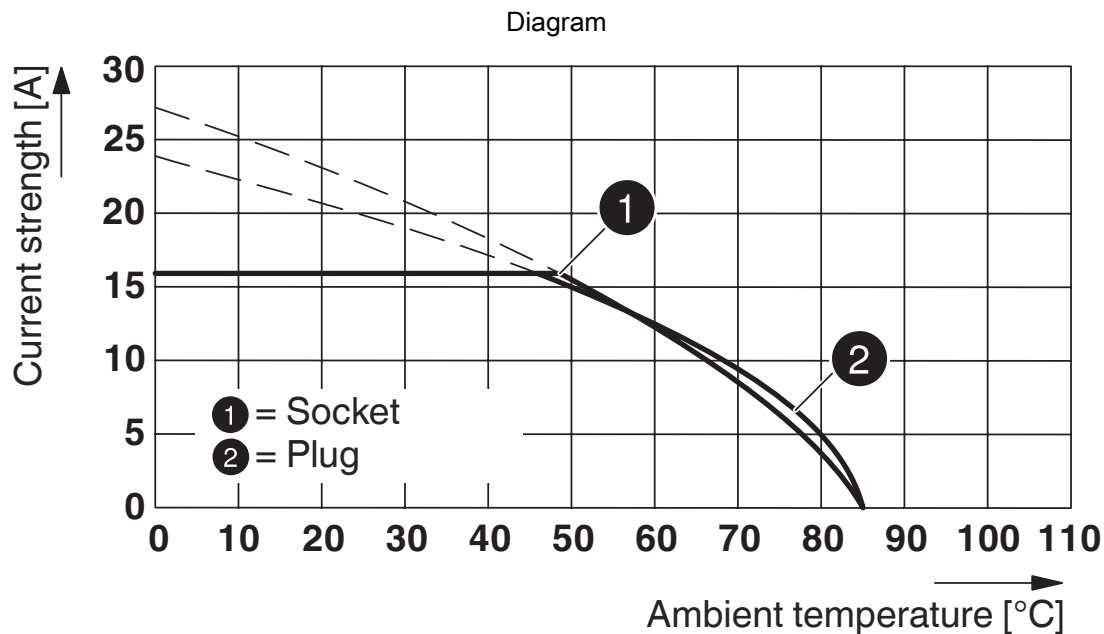


Pin assignment of M12 connector, 5-pos., L-coded, pin side view

Schematic diagram



Pin assignment of M12 socket, 5-pos., L-coded, socket side view



Base curve

Circuit diagram



Contact assignment of M12 connector/socket

# SAC-5P-M12MSL/0,3-500/FSL FE - Power cable



1425013

<https://www.phoenixcontact.com/us/products/1425013>

## Approvals

To download certificates, visit the product detail page: <https://www.phoenixcontact.com/us/products/1425013>

 **UL Listed**  
Approval ID: E468743

 **cUL Listed**  
Approval ID: E468743

 **EAC-RoHS**  
Approval ID: RU D-DE.HB35.B.00387

# SAC-5P-M12MSL/0,3-500/FSL FE - Power cable



1425013

<https://www.phoenixcontact.com/us/products/1425013>

## Classifications

### ECLASS

ECLASS-13.0	27060327
ECLASS-15.0	27060327

### ETIM

ETIM 10.0	EC001855
-----------	----------

### UNSPSC

UNSPSC 21.0	26121600
-------------	----------

# SAC-5P-M12MSL/0,3-500/FSL FE - Power cable



1425013

<https://www.phoenixcontact.com/us/products/1425013>

## Environmental product compliance

### EU RoHS

Fulfills EU RoHS substance requirements	Yes, No exemptions
---	--------------------

### China RoHS

Environment friendly use period (EFUP)	EFUP-E
	No hazardous substances above the limits

### EU REACH SVHC

REACH candidate substance (CAS No.)	No substance above 0.1 wt%
-------------------------------------	----------------------------

### EF3.1 Climate Change

CO2e kg	2.999 kg CO2e
---------	---------------

Phoenix Contact 2026 © - all rights reserved  
<https://www.phoenixcontact.com>

Phoenix Contact USA  
586 Fulling Mill Road  
Middletown, PA 17057, United States  
(+717) 944-1300  
[info@phoenixcon.com](mailto:info@phoenixcon.com)