

HC-STA-B48-SHWSC-2SSP29-EMC-AL - Housing



1424869

<https://www.phoenixcontact.com/us/products/1424869>

Please be informed that the data shown in this PDF document is generated from our online catalog. Please find the complete data in the user documentation. Our general terms of use for downloads are valid.



Surface mounting housing B48, with single locking latch, material: Die-cast aluminum, salt water resistant, protective cover material: PA, cable outlets: 2, lateral, 2x Pg29, height: 99 mm, cable gland: none, protective cover: yes, Standard

Your advantages

- Good shielding in the event of electromagnetic interference

Commercial data

| | |
|--------------------------------------|---------------|
| Item number | 1424869 |
| Packing unit | 1 pc |
| Minimum order quantity | 1 pc |
| Sales key | BF56 |
| Product key | AF7APB |
| GTIN | 4055626382746 |
| Weight per piece (including packing) | 1,322.6 g |
| Weight per piece (excluding packing) | 1,000 g |
| Customs tariff number | 85389099 |
| Country of origin | CN |

1424869

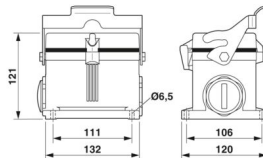
<https://www.phoenixcontact.com/us/products/1424869>

Technical data

Product properties

| | |
|------------------------------|----------------------------|
| Product type | Housing with locking latch |
| Housing type | Surface mounting housing |
| Application | Standard |
| Type | B48 |
| No. of cable outlets | 2 |
| Type of the screw connection | 2x Pg29 |
| Protective cover | yes |
| Cable outlet | lateral |
| Pg screw connection | none |

Dimensions

| | |
|---------------------|---|
| Dimensional drawing |  |
| Width | 120 mm |
| Height | 99 mm |
| Length | 132 mm |
| Hole diameter | 6.5 mm |

Material specifications

| | |
|--|---|
| Flammability rating according to UL 94 | V0 (Interlock) |
| | V0 (Protective cover) |
| Seal material | NBR, conductive |
| Housing material | Die-cast aluminum, salt water resistant |
| Housing surface material | uncoated |
| Material, protective cover | PA |
| Locking latch material | PA |

Mechanical properties

Mechanical data

| | |
|------------------------------|---------|
| Type of the screw connection | 2x Pg29 |
| Locking type | Latch |

Connection data

| | |
|-------------------|---|
| Tightening torque | 3 Nm ... 5 Nm (for M6 mounting screws on the surface-mount housing) |
|-------------------|---|

Mounting

1424869

<https://www.phoenixcontact.com/us/products/1424869>

| | |
|---------------|---|
| Assembly note | One opening is sealed with a plastic filler plug and can be opened using a screwdriver. |
|---------------|---|

Environmental and real-life conditions

Ambient conditions

| | |
|---------------------------------|-------------------------------------|
| Degree of protection | IP66 (with locked protective cover) |
| | IP67 (when plugged in) |
| Enclosure rating (NEMA) | 4 (UL 50e) |
| | 4X (UL 50e) |
| | 12 (UL 50e) |
| Impact strength | IK08 |
| Ambient temperature (operation) | -40 °C ... 125 °C |

1424869

<https://www.phoenixcontact.com/us/products/1424869>

Drawings

Dimensional drawing




Dimensional drawing

1424869

<https://www.phoenixcontact.com/us/products/1424869>

Approvals

 To download certificates, visit the product detail page: <https://www.phoenixcontact.com/us/products/1424869>

DNV

Approval ID: TAE000037S



cUL Recognized

Approval ID: E255026



UL Recognized

Approval ID: E255026

1424869

<https://www.phoenixcontact.com/us/products/1424869>

Classifications

ECLASS

| | |
|-------------|----------|
| ECLASS-13.0 | 27440202 |
| ECLASS-15.0 | 27440202 |

ETIM

| | |
|-----------|----------|
| ETIM 10.0 | EC000437 |
|-----------|----------|

UNSPSC

| | |
|-------------|----------|
| UNSPSC 21.0 | 31261500 |
|-------------|----------|

1424869

<https://www.phoenixcontact.com/us/products/1424869>

Environmental product compliance

EU RoHS

| | |
|---|------|
| Fulfills EU RoHS substance requirements | Yes |
| Exemption | 6(c) |

China RoHS

| | |
|--|---|
| Environment friendly use period (EFUP) | EFUP-50 |
| | An article-related China RoHS declaration table can be found in the download area for the respective article under "Manufacturer declaration". For all articles with EFUP-E, no China RoHS declaration table issued and required. |

EU REACH SVHC

| | |
|-------------------------------------|--------------------------------------|
| REACH candidate substance (CAS No.) | Lead(CAS: 7439-92-1) |
| SCIP | 8d415fae-fd20-452c-b8ba-35cb2257a06e |

Phoenix Contact 2026 © - all rights reserved

<https://www.phoenixcontact.com>

Phoenix Contact USA
586 Fulling Mill Road
Middletown, PA 17057, United States
(+717) 944-1300
info@phoenixcon.com