

HC-STA-B48-HHFS-1STM40-EM-AL - Housing



1424861

<https://www.phoenixcontact.com/us/products/1424861>

Please be informed that the data shown in this PDF document is generated from our online catalog. Please find the complete data in the user documentation. Our general terms of use for downloads are valid.



Sleeve housing B48, for single locking latch, material: Die-cast aluminum, salt water resistant, cable outlets: 1, lateral, 1x M40, height: 107.5 mm, cable gland: none, Standard

Your advantages

- Good shielding in the event of electromagnetic interference

Commercial data

| | |
|--------------------------------------|---------------|
| Item number | 1424861 |
| Packing unit | 1 pc |
| Minimum order quantity | 1 pc |
| Sales key | BF56 |
| Product key | AF7APB |
| GTIN | 4055626382661 |
| Weight per piece (including packing) | 603.8 g |
| Weight per piece (excluding packing) | 587 g |
| Customs tariff number | 85389099 |
| Country of origin | CN |

HC-STA-B48-HHFS-1STM40-EM-AL - Housing

1424861

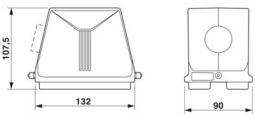
<https://www.phoenixcontact.com/us/products/1424861>

Technical data

Product properties

| | |
|------------------------------|----------------------------|
| Product type | Housing with locking latch |
| Housing type | Sleeve housing |
| Application | Standard |
| Type | B48 |
| No. of cable outlets | 1 |
| Type of the screw connection | 1x M40 |
| Cable outlet | lateral |
| Pg screw connection | none |

Dimensions

| | |
|---------------------|---|
| Dimensional drawing |  |
| Width | 90 mm |
| Height | 107.5 mm |
| Length | 132 mm |

Material specifications

| | |
|--------------------------|---|
| Housing material | Die-cast aluminum, salt water resistant |
| Housing surface material | uncoated |

Mechanical properties

Mechanical data

| | |
|------------------------------|--------|
| Type of the screw connection | 1x M40 |
| Locking type | Pin |

Environmental and real-life conditions

Ambient conditions

| | |
|---------------------------------|-------------------|
| Degree of protection | IP66 |
| | IP67 |
| Enclosure rating (NEMA) | 4 (UL 50e) |
| | 4X (UL 50e) |
| | 12 (UL 50e) |
| Impact strength | IK08 |
| Ambient temperature (operation) | -40 °C ... 125 °C |

HC-STA-B48-HHFS-1STM40-EM-AL - Housing

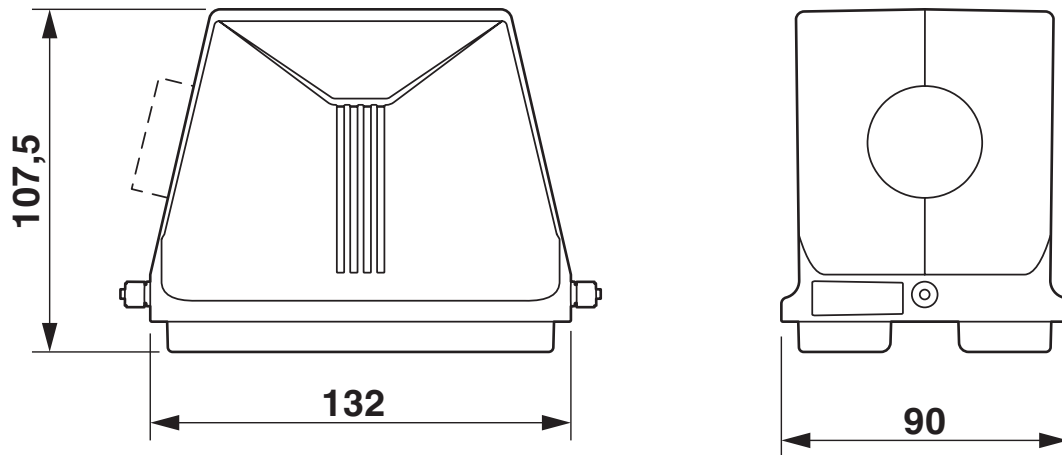


1424861

<https://www.phoenixcontact.com/us/products/1424861>

Drawings

Dimensional drawing



Dimensional drawing

1424861

<https://www.phoenixcontact.com/us/products/1424861>

Approvals

🔗 To download certificates, visit the product detail page: <https://www.phoenixcontact.com/us/products/1424861>

DNV

Approval ID: TAE000037S



cUL Recognized

Approval ID: E255026



UL Recognized

Approval ID: E255026

HC-STA-B48-HHFS-1STM40-EM-AL - Housing



1424861

<https://www.phoenixcontact.com/us/products/1424861>

Classifications

ECLASS

| | |
|-------------|----------|
| ECLASS-13.0 | 27440202 |
| ECLASS-15.0 | 27440202 |

ETIM

| | |
|-----------|----------|
| ETIM 10.0 | EC000437 |
|-----------|----------|

UNSPSC

| | |
|-------------|----------|
| UNSPSC 21.0 | 31261500 |
|-------------|----------|

1424861

<https://www.phoenixcontact.com/us/products/1424861>

Environmental product compliance

EU RoHS

| | |
|---|--------------------|
| Fulfills EU RoHS substance requirements | Yes, No exemptions |
|---|--------------------|

China RoHS

| | |
|--|--|
| Environment friendly use period (EFUP) | EFUP-E |
| | No hazardous substances above the limits |

EU REACH SVHC

| | |
|-------------------------------------|----------------------------|
| REACH candidate substance (CAS No.) | No substance above 0.1 wt% |
|-------------------------------------|----------------------------|

Phoenix Contact 2026 © - all rights reserved
<https://www.phoenixcontact.com>

Phoenix Contact USA
586 Fulling Mill Road
Middletown, PA 17057, United States
(+717) 944-1300
info@phoenixcon.com