

HC-STA-B32-SHWD-2SSM40-ELC-AL - Housing



1424849

<https://www.phoenixcontact.com/us/products/1424849>

Please be informed that the data shown in this PDF document is generated from our online catalog. Please find the complete data in the user documentation. Our general terms of use for downloads are valid.



Surface mounting housing B32, with double locking latch, material: Die-cast aluminum, salt water resistant, cable outlets: 2, lateral, 2x M40, height: 90 mm, cable gland: none, Standard

Your advantages

- Good shielding in the event of electromagnetic interference

Commercial data

Item number	1424849
Packing unit	1 pc
Minimum order quantity	1 pc
Sales key	BF56
Product key	AF7APB
GTIN	4055626382548
Weight per piece (including packing)	760 g
Weight per piece (excluding packing)	674.6 g
Customs tariff number	85389099
Country of origin	CN

1424849

<https://www.phoenixcontact.com/us/products/1424849>

Technical data

Product properties

Product type	Housing with locking latch
Housing type	Surface mounting housing
Application	Standard
Type	B32
No. of cable outlets	2
Type of the screw connection	2x M40
Cable outlet	lateral
Pg screw connection	none

Dimensions

Dimensional drawing	
Width	94 mm
Height	90 mm
Length	125 mm
Drill hole distance, horizontal	112 mm
Drill hole distance, vertical	67 mm
Hole diameter	5.5 mm

Material specifications

Flammability rating according to UL 94	V0 (Interlock)
Seal material	NBR, conductive
Housing material	Die-cast aluminum, salt water resistant
Housing surface material	uncoated
Locking latch material	PA

Mechanical properties

Mechanical data

Type of the screw connection	2x M40
Locking type	Latch

Connection data

Tightening torque	2 Nm ... 3 Nm (for M5 mounting screws on the surface-mount housing)
-------------------	---

Mounting

Assembly note	One opening is sealed with a plastic filler plug and can be opened using a screwdriver.
---------------	---

1424849

<https://www.phoenixcontact.com/us/products/1424849>

Environmental and real-life conditions

Ambient conditions

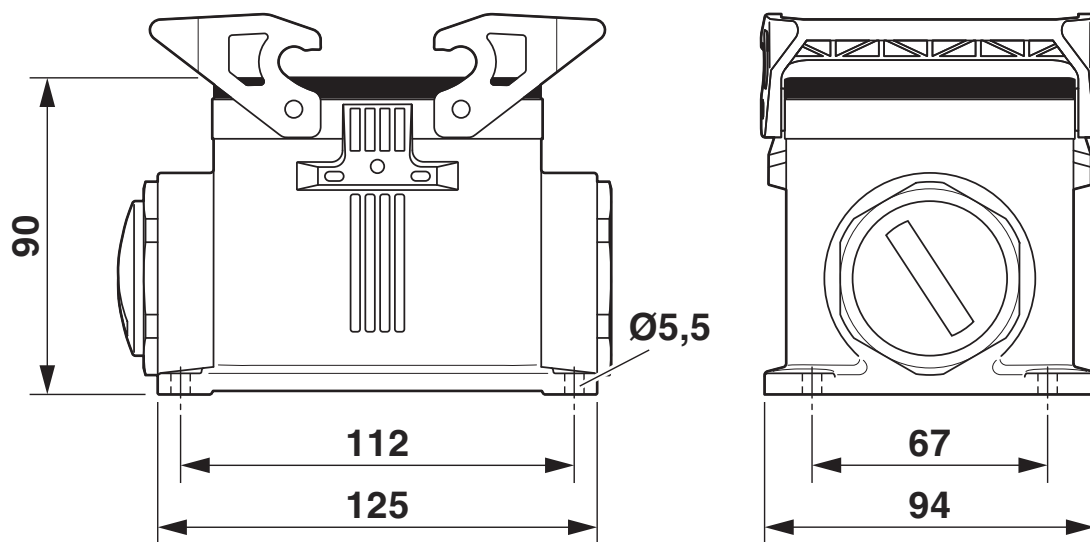
Degree of protection	IP66
	IP67
Enclosure rating (NEMA)	4 (UL 50e)
	4X (UL 50e)
	12 (UL 50e)
Impact strength	IK09
Ambient temperature (operation)	-40 °C ... 125 °C

1424849

<https://www.phoenixcontact.com/us/products/1424849>

Drawings

Dimensional drawing



Dimensional drawing

1424849

<https://www.phoenixcontact.com/us/products/1424849>

Approvals

🔗 To download certificates, visit the product detail page: <https://www.phoenixcontact.com/us/products/1424849>

DNV

Approval ID: TAE000037S



cUL Recognized

Approval ID: E255026



UL Recognized

Approval ID: E255026

1424849

<https://www.phoenixcontact.com/us/products/1424849>

Classifications

ECLASS

ECLASS-13.0	27440202
ECLASS-15.0	27440202

ETIM

ETIM 10.0	EC000437
-----------	----------

UNSPSC

UNSPSC 21.0	31261500
-------------	----------

1424849

<https://www.phoenixcontact.com/us/products/1424849>

Environmental product compliance

EU RoHS

Fulfills EU RoHS substance requirements	Yes
Exemption	6(c)

China RoHS

Environment friendly use period (EFUP)	EFUP-50
	An article-related China RoHS declaration table can be found in the download area for the respective article under "Manufacturer declaration". For all articles with EFUP-E, no China RoHS declaration table issued and required.

EU REACH SVHC

REACH candidate substance (CAS No.)	Lead(CAS: 7439-92-1)
SCIP	c85d5022-f3bb-450c-9cbf-9542d8f9138f

Phoenix Contact 2026 © - all rights reserved

<https://www.phoenixcontact.com>

Phoenix Contact USA
586 Fulling Mill Road
Middletown, PA 17057, United States
(+717) 944-1300
info@phoenixcon.com