

# HC-STA-B32-BWD-ELC-AL - Housing



1424845

<https://www.phoenixcontact.com/us/products/1424845>

Please be informed that the data shown in this PDF document is generated from our online catalog. Please find the complete data in the user documentation. Our general terms of use for downloads are valid.



Panel mounting base B32, with double locking latch, material: Die-cast aluminum, salt water resistant, height: 32.4 mm, cable gland: none, Standard, with flat gasket

## Your advantages

- Good shielding in the event of electromagnetic interference

## Commercial data

Item number	1424845
Packing unit	1 pc
Minimum order quantity	1 pc
Sales key	BF56
Product key	AF7APB
GTIN	4055626382500
Weight per piece (including packing)	186.4 g
Weight per piece (excluding packing)	180 g
Customs tariff number	85389099
Country of origin	CN

1424845

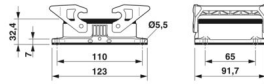
<https://www.phoenixcontact.com/us/products/1424845>

## Technical data

### Product properties

Product type	Housing with locking latch
Housing type	Panel mounting base
Application	Standard
Type	B32
Pg screw connection	none

### Dimensions

Dimensional drawing	
Width	91.7 mm
Height	32.4 mm
Length	123 mm
Drill hole distance, horizontal	110 mm
Drill hole distance, vertical	65 mm
Hole diameter	5.5 mm

### Installation dimensions

Width of the assembly cutout	71 mm
Length of the assembly cutout	86 mm

### Material specifications

Flammability rating according to UL 94	V0 (Interlock)
Seal material	NBR, conductive NBR, conductive
Housing material	Die-cast aluminum, salt water resistant
Housing surface material	uncoated
Locking latch material	PA

### Mechanical properties

#### Mechanical data

Locking type	Latch
--------------	-------

### Connection data

Tightening torque	2 Nm ... 3 Nm (For M5 mounting screws on the panel-mount base)
-------------------	--

### Environmental and real-life conditions

#### Ambient conditions

Degree of protection	IP66
----------------------	------

# HC-STA-B32-BWD-ELC-AL - Housing



1424845

<https://www.phoenixcontact.com/us/products/1424845>

	IP67
Enclosure rating (NEMA)	4 (UL 50e)
	4X (UL 50e)
	12 (UL 50e)
Impact strength	IK09
Ambient temperature (operation)	-40 °C ... 125 °C

# HC-STA-B32-BWD-ELC-AL - Housing

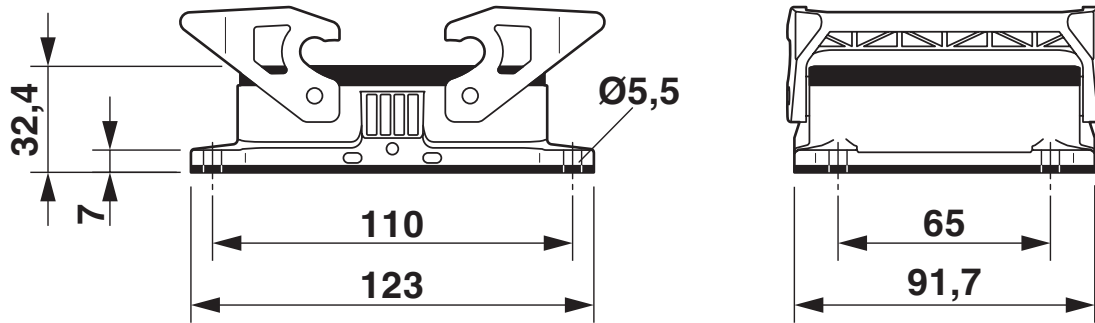


1424845

<https://www.phoenixcontact.com/us/products/1424845>

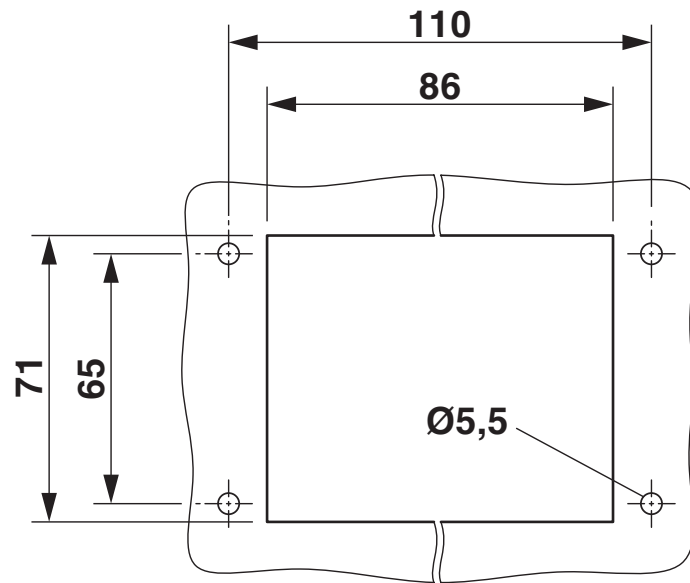
## Drawings

Dimensional drawing



Dimensional drawing

Dimensional drawing



Mounting cutout

# HC-STA-B32-BWD-ELC-AL - Housing



1424845

<https://www.phoenixcontact.com/us/products/1424845>

## Approvals

To download certificates, visit the product detail page: <https://www.phoenixcontact.com/us/products/1424845>

**DNV**

Approval ID: TAE000037S



**cUL Recognized**

Approval ID: E255026



**UL Recognized**

Approval ID: E255026

# HC-STA-B32-BWD-ELC-AL - Housing



1424845

<https://www.phoenixcontact.com/us/products/1424845>

## Classifications

### ECLASS

ECLASS-13.0	27440202
ECLASS-15.0	27440202

### ETIM

ETIM 10.0	EC000437
-----------	----------

### UNSPSC

UNSPSC 21.0	31261500
-------------	----------

# HC-STA-B32-BWD-ELC-AL - Housing



1424845

<https://www.phoenixcontact.com/us/products/1424845>

## Environmental product compliance

### EU RoHS

Fulfills EU RoHS substance requirements	Yes, No exemptions
---	--------------------

### China RoHS

Environment friendly use period (EFUP)	EFUP-E
	No hazardous substances above the limits

### EU REACH SVHC

REACH candidate substance (CAS No.)	No substance above 0.1 wt%
-------------------------------------	----------------------------

Phoenix Contact 2026 © - all rights reserved  
<https://www.phoenixcontact.com>

Phoenix Contact USA  
586 Fulling Mill Road  
Middletown, PA 17057, United States  
(+717) 944-1300  
[info@phoenixcon.com](mailto:info@phoenixcon.com)