

# NBC-R4BQ/2,0-94B/R4BQRB - Network cable



1424825

<https://www.phoenixcontact.com/us/products/1424825>

Please be informed that the data shown in this PDF document is generated from our online catalog. Please find the complete data in the user documentation. Our general terms of use for downloads are valid.



Network cable, degree of protection: IP20, cable length: 2 m, number of positions: 8, 1 Gbps, CAT5 (IEC 11801:2002), material: Die-cast zinc, connection method: IDC fast connection, Ethernet, 4x2xAWG26/7, SF/UTP, water blue RAL 5021

## Your advantages

- Perfect for industrial applications
- Perfect for office, building, and protected industrial applications (e.g., in control cabinets)
- Compact angle

## Commercial data

Item number	1424825
Packing unit	1 pc
Minimum order quantity	50 pc
Note	Made to order (non-returnable)
Product key	ABNABE
GTIN	4055626384733
Weight per piece (including packing)	139 g
Weight per piece (excluding packing)	137.575 g
Country of origin	PL

# NBC-R4BQ/2,0-94B/R4BQRB - Network cable



1424825

<https://www.phoenixcontact.com/us/products/1424825>

## Technical data

### Product properties

Product type	Data cable preassembled
Product family	RJ45 INDUSTRIAL IE8 CAT5
Number of positions	8
Number of slots	1

### Insulation characteristics

Overvoltage category	I
Degree of pollution	2

### Interfaces

Signal type/category	Ethernet CAT5 (IEC 11801:2002), 1 Gbps
----------------------	--

### Electrical properties

Rated voltage (III/3)	72 V (DC)
Rated current	1.75 A
Transmission medium	Copper
Transmission speed	1 Gbps
Transmission characteristics (category)	CAT5 (IEC 11801:2002)
Transmission speed	1 Gbps

### Mechanical properties

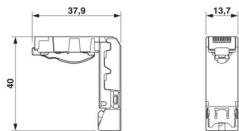
#### Mechanical data

Insertion/withdrawal cycles	≥ 750
Insertion force per signal contact	30.00 N
Extraction force per signal contact	50 N

### Material specifications

Flammability rating according to UL 94	V0
Housing material	Die-cast zinc
Contact material	Copper alloy
Contact surface material	Gold over nickel
Contact carrier material	PC

### Dimensions

Dimensional drawing	
Width	13.7 mm
Height	14.4 mm

# NBC-R4BQ/2,0-94B/R4BQRB - Network cable



1424825

<https://www.phoenixcontact.com/us/products/1424825>

Length	53 mm
--------	-------

## Connection data

### Connection technology

Connection method	IDC fast connection
-------------------	---------------------

### Conductor connection

Connection method	IDC fast connection
-------------------	---------------------

## Connector

### Connection 1

Type	Plug straight RJ45
Shielded	yes
Insertion/withdrawal cycles	≥ 750
Degree of protection	IP20

### Connection 2

Type	Plug straight RJ45
Shielded	yes
Insertion/withdrawal cycles	≥ 750
Degree of protection	IP20

## Cable/line

Cable length	2.00 m
--------------	--------

### Ethernet flexible CAT5, 4-pair [94B]

Dimensional drawing	
Cable weight	47 kg/km
UL AWM Style	20963 (80°C/30 V)
Number of positions	8
Shielded	yes
Cable type	Ethernet flexible CAT5, 4-pair [94B]
Conductor structure	4x2xAWG26/7, SF/UTP
Signal runtime	5.3 ns/m
Conductor structure signal line	7x 0.16 mm
AWG signal line	26
Conductor cross-section	4x 2x 0.14 mm <sup>2</sup>

# NBC-R4BQ/2,0-94B/R4BQRB - Network cable



1424825

<https://www.phoenixcontact.com/us/products/1424825>

Wire diameter incl. insulation	0.96 mm
External cable diameter	6.40 mm ±0.2 mm
Outer sheath, material	PUR
External sheath, color	water blue RAL 5021
Conductor material	Bare Cu litz wires
Material wire insulation	Foamed PE
Single wire, color	white/blue-blue, white/orange-orange, white/green-green, white/brown-brown
Thickness, outer sheath	1.05 mm
Twisted pairs	2 cores to the pair
Overall twist	4 pairs for core
Optical shield covering	70 %
Insulation resistance	≥ 5 GΩ*km
Coupling resistance	≤ 100.00 mΩ/m (at 10 MHz)
Loop resistance	≤ 290.00 Ω/km
Wave impedance	100 Ω ±5 Ω (at 100 MHz)
Cable capacity	48 nF/km (at 1 kHz)
Nominal voltage, cable	≤ 100 V
Test voltage Core/Core	700 V (50 Hz, 1 min.)
Test voltage Core/Shield	700.00 V (50 Hz, 1 min.)
Minimum bending radius, fixed installation	4 x D
Minimum bending radius, flexible installation	8 x D
Smallest bending radius, fixed installation	26 mm
Smallest bending radius, movable installation	52 mm
Tensile strength	≤ 100 N
Near end crosstalk attenuation (NEXT)	71.3 dB (with 1 MHz)
	62.3 dB (at 4 MHz)
	56.3 dB (at 10 MHz)
	53.2 dB (at 16 MHz)
	51.8 dB (at 20 MHz)
	48.9 dB (at 31.25 MHz)
	44.4 dB (at 62.5 MHz)
	41.3 dB (at 100 MHz)
Power-summated near end crosstalk attenuation (PSNEXT)	62.3 dB (with 1 MHz)
	53.3 dB (at 4 MHz)
	47.3 dB (at 10 MHz)
	44.2 dB (at 16 MHz)
	42.8 dB (at 20 MHz)
	39.9 dB (at 31.25 MHz)
	35.4 dB (at 62.5 MHz)
	32.3 dB (at 100 MHz)
Return attenuation (RL)	23 dB (at 4 MHz)
	24.1 dB (at 8 MHz)
	25 dB (at 10 MHz)

1424825

<https://www.phoenixcontact.com/us/products/1424825>

	25 dB (at 16 MHz)
	25 dB (at 20 MHz)
	23.6 dB (at 31.25 MHz)
	21.5 dB (at 62.5 MHz)
	20.1 dB (at 100 MHz)
Shield attenuation	3.2 dB (with 1 MHz)
	6 dB (at 4 MHz)
	9.5 dB (at 10 MHz)
	12.1 dB (at 16 MHz)
	13.6 dB (at 20 MHz)
	17.1 dB (at 31.25 MHz)
	24.8 dB (at 62.5 MHz)
	32 dB (at 100 MHz)
Halogen-free	according to IEC 60754-1
Flame resistance	according to IEC 60332-1-2
Resistance to oil	in accordance with EN 60811-2-1
Ambient temperature (operation)	-40 °C ... 80 °C (cable, fixed installation)
	-20 °C ... 80 °C (Cable, flexible installation)
Ambient temperature (installation)	-20 °C ... 80 °C

## Environmental and real-life conditions

### Ambient conditions

Degree of protection	IP20
Ambient temperature (operation) (Cable, fixed installation)	-40 °C ... 70 °C (cable, fixed installation)
Ambient temperature (operation) (Cable, flexible installation)	-20 °C ... 70 °C (Cable, flexible installation)

# NBC-R4BQ/2,0-94B/R4BQRB - Network cable

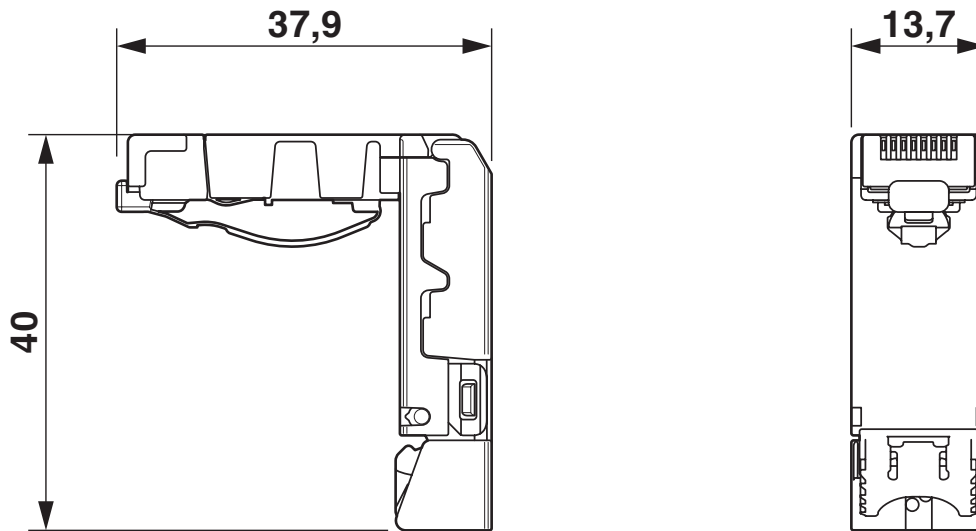


1424825

<https://www.phoenixcontact.com/us/products/1424825>

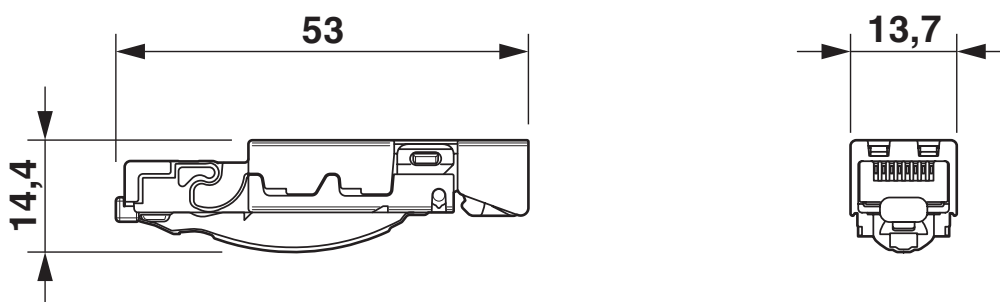
## Drawings

Dimensional drawing



RJ45 connector, IP20, angled

Dimensional drawing



RJ45 connector, IP20

# NBC-R4BQ/2,0-94B/R4BQRB - Network cable



1424825

<https://www.phoenixcontact.com/us/products/1424825>

## Approvals

To download certificates, visit the product detail page: <https://www.phoenixcontact.com/us/products/1424825>



**EAC**

Approval ID: 19060508

# NBC-R4BQ/2,0-94B/R4BQRB - Network cable



1424825

<https://www.phoenixcontact.com/us/products/1424825>

## Classifications

### ECLASS

ECLASS-13.0	27060307
ECLASS-15.0	27060307

### UNSPSC

UNSPSC 21.0	39121400
-------------	----------

1424825

<https://www.phoenixcontact.com/us/products/1424825>

## Environmental product compliance

### EU RoHS

Fulfills EU RoHS substance requirements	Yes, No exemptions
---	--------------------

### China RoHS

Environment friendly use period (EFUP)	EFUP-E
	No hazardous substances above the limits

### EU REACH SVHC

REACH candidate substance (CAS No.)	No substance above 0.1 wt%
-------------------------------------	----------------------------

### EF3.1 Climate Change

CO2e kg	4.3 kg CO2e
---------	-------------

Phoenix Contact 2026 © - all rights reserved  
<https://www.phoenixcontact.com>

Phoenix Contact USA  
586 Fulling Mill Road  
Middletown, PA 17057, United States  
(+717) 944-1300  
[info@phoenixcon.com](mailto:info@phoenixcon.com)