

NBC-R4AC/7,5-93B/R4AC - Patch cable



1424816

<https://www.phoenixcontact.com/us/products/1424816>

Please be informed that the data shown in this PDF document is generated from our online catalog. Please find the complete data in the user documentation. Our general terms of use for downloads are valid.



Patch cable, degree of protection: IP20, cable length: 7.5 m, number of positions: 4, 100 Mbps, CAT5, material: PA 6.6, PROFINET, 1x4xAWG22/7, SF/TQ, green RAL 6018

PROFINET patch cable

Your advantages

- Perfect for industrial applications
- Perfect for office, building, and protected industrial applications (e.g., in control cabinets)
- Compact angle

Commercial data

Item number	1424816
Packing unit	1 pc
Minimum order quantity	1 pc
Product key	ABNABA
GTIN	4055626381152
Weight per piece (including packing)	499.8 g
Weight per piece (excluding packing)	482.696 g
Country of origin	PL

NBC-R4AC/7,5-93B/R4AC - Patch cable



1424816

<https://www.phoenixcontact.com/us/products/1424816>

Technical data

Product properties

Product type	Data cable preassembled
Product family	RJ45 INDUSTRIAL PN4 CAT5
Sensor type	PROFINET
Number of positions	4
Connection profile	RJ45 8(4)
Number of slots	1
Shielded	yes

Insulation characteristics

Overvoltage category	I
Degree of pollution	1

Signaling

Status display	no
Status display present	no

Electrical properties

Rated voltage (III/3)	72 V (DC)
Nominal voltage U_N	48 V
Nominal current I_N	1 A
Transmission medium	Copper
Transmission speed	100 Mbps
Transmission characteristics (category)	CAT5 (IEC 11801:2002)
Transmission speed	100 Mbps

Mechanical properties

Mechanical data

Insertion/withdrawal cycles	≥ 750
Insertion force per signal contact	30.00 N
Extraction force per signal contact	50 N

Material specifications

Flammability rating according to UL 94	V2
Housing material	PA 6.6
Contact material	CuSn
Contact surface material	Ni/Au
Outer sheath, material	PVC

Connector

Connection 1

NBC-R4AC/7,5-93B/R4AC - Patch cable



1424816

<https://www.phoenixcontact.com/us/products/1424816>

Type	Plug straight RJ45
Shielded	yes
Handle color	black
Material	CuSn (Contact)
	Ni/Au (Contact surface)
	PA (Contact carrier)
	PA (Housing)
Insertion/withdrawal cycles	≥ 750
Degree of protection	IP20
Ambient temperature (operation)	-25 °C ... 80 °C

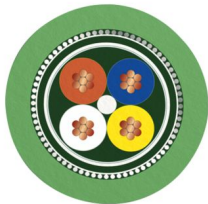
Connection 2

Type	Plug straight RJ45
Shielded	yes
Handle color	black
Material	CuSn (Contact)
	Ni/Au (Contact surface)
	PA (Contact carrier)
	PA (Housing)
Insertion/withdrawal cycles	≥ 750
Degree of protection	IP20
Ambient temperature (operation)	-25 °C ... 80 °C

Cable/line

Cable length	7.50 m
--------------	--------

PROFINET PVC stranded CAT5 [93B]

Dimensional drawing	
UL AWM Style	21695 (80 °C / 600 V)
Number of positions	4
Shielded	yes
Cable type	PROFINET PVC stranded CAT5 [93B]
Conductor structure	1x4xAWG22/7, SF/TQ
AWG signal line	22
Conductor cross-section	4x 0.34 mm ²
Wire diameter incl. insulation	1.5 mm ±0.1 mm
External cable diameter	6.50 mm ±0.2 mm
Outer sheath, material	PVC

NBC-R4AC/7,5-93B/R4AC - Patch cable



1424816

<https://www.phoenixcontact.com/us/products/1424816>

External sheath, color	green RAL 6018
Conductor material	Tin-plated Cu litz wires
Material wire insulation	PE
Single wire, color	white, yellow, blue, orange
Overall twist	Star quad
Optical shield covering	85 %
Insulation resistance	$\geq 5 \text{ G}\Omega \cdot \text{km}$
Loop resistance	$\leq 120.00 \text{ }\Omega/\text{km}$
Wave impedance	$100 \text{ }\Omega \pm 5 \text{ }\Omega$ (at 100 MHz)
Nominal voltage, cable	$\leq 600 \text{ V}$
Test voltage Core/Core	2000 V ((50 Hz/1 min))
Test voltage Core/Shield	2000.00 V ((50 Hz/1 min))
Minimum bending radius, fixed installation	4 x D
Minimum bending radius, flexible installation	8 x D
Flame resistance	UL 1581, Section 1060 and UL 2556, Section 9.3 (FT1) UL 1685 (CSA FT 4) UL 1581, Section 1100 and UL 2556, Section 9.1 (HFT/FT2)
Resistance to oil	OIL RES I according to UL 2256
Other resistance	UV resistant (according to UL 1581, Section 1200)
Ambient temperature (operation)	-40 °C ... 80 °C (cable, fixed installation) -10 °C ... 70 °C (Cable, flexible installation)

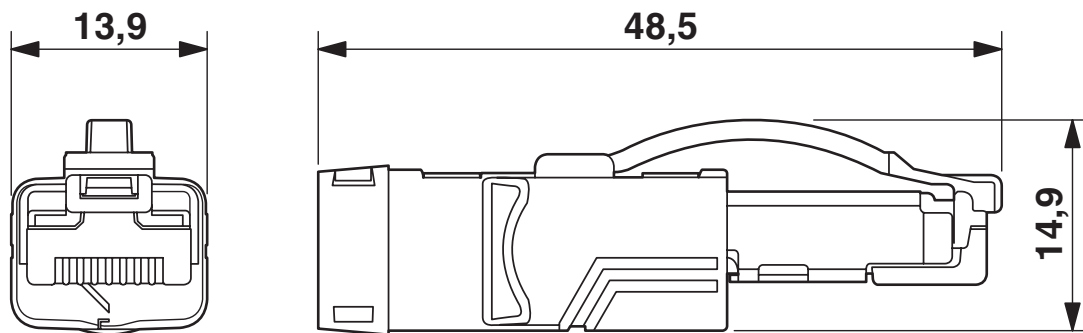
NBC-R4AC/7,5-93B/R4AC - Patch cable

1424816

<https://www.phoenixcontact.com/us/products/1424816>

Drawings

Dimensional drawing



RJ45 connector, IP20

NBC-R4AC/7,5-93B/R4AC - Patch cable

1424816

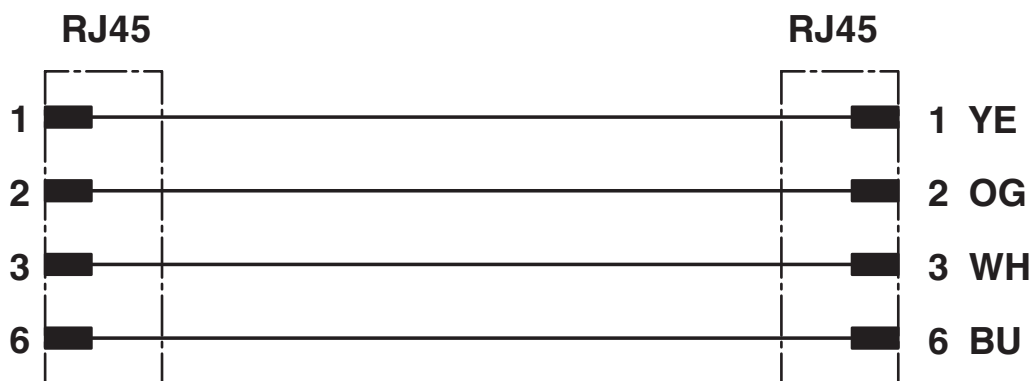
<https://www.phoenixcontact.com/us/products/1424816>

Schematic diagram



Connector pin assignment plug RJ45

Circuit diagram



Contact assignment of RJ45 plugs

NBC-R4AC/7,5-93B/R4AC - Patch cable



1424816

<https://www.phoenixcontact.com/us/products/1424816>

Approvals

To download certificates, visit the product detail page: <https://www.phoenixcontact.com/us/products/1424816>



EAC

Approval ID: 19060508

NBC-R4AC/7,5-93B/R4AC - Patch cable



1424816

<https://www.phoenixcontact.com/us/products/1424816>

Classifications

ECLASS

ECLASS-13.0	27060307
ECLASS-15.0	27060307

ETIM

ETIM 10.0	EC001855
-----------	----------

UNSPSC

UNSPSC 21.0	39121400
-------------	----------

NBC-R4AC/7,5-93B/R4AC - Patch cable



1424816

<https://www.phoenixcontact.com/us/products/1424816>

Environmental product compliance

EU RoHS

Fulfills EU RoHS substance requirements	Yes, No exemptions
---	--------------------

China RoHS

Environment friendly use period (EFUP)	EFUP-E
	No hazardous substances above the limits

EU REACH SVHC

REACH candidate substance (CAS No.)	No substance above 0.1 wt%
-------------------------------------	----------------------------

Phoenix Contact 2026 © - all rights reserved
<https://www.phoenixcontact.com>

Phoenix Contact USA
586 Fulling Mill Road
Middletown, PA 17057, United States
(+717) 944-1300
info@phoenixcon.com