

NBC-R4BQRB/2,0-94B/OE - Network cable



1424779

<https://www.phoenixcontact.com/us/products/1424779>

Please be informed that the data shown in this PDF document is generated from our online catalog. Please find the complete data in the user documentation. Our general terms of use for downloads are valid.



Network cable, degree of protection: IP20, cable length: 2 m, number of positions: 8, 1 Gbps, CAT5 (IEC 11801:2002), material: Die-cast zinc, connection method: IDC fast connection, Ethernet

Your advantages

- Perfect for industrial applications
- Perfect for office, building, and protected industrial applications (e.g., in control cabinets)
- Compact angle

Commercial data

Item number	1424779
Packing unit	1 pc
Minimum order quantity	50 pc
Note	Made to order (non-returnable)
Product key	ABNABE
GTIN	4055626380209
Weight per piece (including packing)	126.8 g
Weight per piece (excluding packing)	99.843 g
Country of origin	PL

NBC-R4BQRB/2,0-94B/OE - Network cable



1424779

<https://www.phoenixcontact.com/us/products/1424779>

Technical data

Product properties

Product type	Data cable preassembled
Product family	RJ45 INDUSTRIAL IE8 CAT5
Sensor type	Ethernet
Number of positions	8
Number of slots	1
Shielded	yes

Insulation characteristics

Overvoltage category	I
Degree of pollution	2

Electrical properties

Rated voltage (III/3)	72 V (DC)
Rated current	1.75 A
Transmission medium	Copper
Transmission speed	1 Gbps
Transmission characteristics (category)	CAT5 (IEC 11801:2002)
Transmission speed	1 Gbps

Mechanical properties

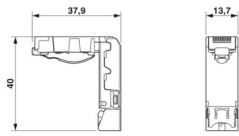
Mechanical data

Insertion/withdrawal cycles	≥ 750
Insertion force per signal contact	30.00 N
Extraction force per signal contact	50 N

Material specifications

Flammability rating according to UL 94	V0
Housing material	Die-cast zinc
Contact material	Copper alloy
Contact surface material	Gold over nickel
Contact carrier material	PC

Dimensions

Dimensional drawing	
Width	13.7 mm
Height	14.4 mm

NBC-R4BQRB/2,0-94B/OE - Network cable



1424779

<https://www.phoenixcontact.com/us/products/1424779>

Length	53 mm
--------	-------

Connection data

Connection technology

Connection method	IDC fast connection
-------------------	---------------------

Conductor connection

Connection method	IDC fast connection
-------------------	---------------------

Connector

Connection 1

Type	Plug angled RJ45
Shielded	yes
Insertion/withdrawal cycles	≥ 750
Degree of protection	IP20


Connection 2

Type	free cable end
Degree of protection	IP20

Cable/line

Cable length	2.00 m
--------------	--------

Ethernet flexible CAT5, 4-pair [94B]

Dimensional drawing	
Shielded	yes
UL AWM Style	20963 (80°C/30 V)
Cable weight	47 kg/km
Cable type	Ethernet flexible CAT5, 4-pair
Cable type (abbreviation)	94B
Signal type/category	Ethernet CAT5 (IEC 11801), 1 Gbps
Cable structure	4x2xAWG26/7, SF/UTP
External cable diameter	6.40 mm ±0.2 mm
Outer sheath, material	PUR
External sheath, color	water blue RAL 5021
Thickness, outer sheath	1.05 mm
Conductor material	Bare Cu litz wires

NBC-R4BQRB/2,0-94B/OE - Network cable



1424779

<https://www.phoenixcontact.com/us/products/1424779>

Conductor structure signal line	7x 0.16 mm
AWG signal line	26
Conductor cross-section	4x 2x 0.14 mm ²
Material wire insulation	Foamed PE
Wire diameter incl. insulation	0.96 mm
Single wire, color	white/blue-blue, white/orange-orange, white/green-green, white/brown-brown
Twisted pairs	2 cores to the pair
Overall twist	4 pairs for core
Shielding	Aluminum-coated foil, tinned copper braided shield
Optical shield covering	70 %
Nominal voltage, cable	≤ 100 V
Test voltage Core/Core	700 V (50 Hz, 1 min.)
Test voltage Core/Shield	700.00 V (50 Hz, 1 min.)
Cable insulation resistance	≥ 5 GΩ*km
Coupling resistance	≤ 100.00 mΩ/m (at 10 MHz)
Wave impedance	100 Ω ±5 Ω (at 100 MHz)
Loop resistance	≤ 290.00 Ω/km
Cable capacity	48 nF/km (at 1 kHz)
Signal runtime	5.3 ns/m
Tensile strength	≤ 100 N
Minimum bending radius, fixed installation	4 x D
Minimum bending radius, flexible installation	8 x D
Near end crosstalk attenuation (NEXT)	71.3 dB (with 1 MHz)
	62.3 dB (at 4 MHz)
	56.3 dB (at 10 MHz)
	53.2 dB (at 16 MHz)
	51.8 dB (at 20 MHz)
	48.9 dB (at 31.25 MHz)
	44.4 dB (at 62.5 MHz)
	41.3 dB (at 100 MHz)
Power-summated near end crosstalk attenuation (PSNEXT)	62.3 dB (with 1 MHz)
	53.3 dB (at 4 MHz)
	47.3 dB (at 10 MHz)
	44.2 dB (at 16 MHz)
	42.8 dB (at 20 MHz)
	39.9 dB (at 31.25 MHz)
	35.4 dB (at 62.5 MHz)
	32.3 dB (at 100 MHz)
Return attenuation (RL)	23 dB (at 4 MHz)
	24.1 dB (at 8 MHz)
	25 dB (at 10 MHz)
	25 dB (at 16 MHz)
	25 dB (at 20 MHz)

NBC-R4BQRB/2,0-94B/OE - Network cable



1424779

<https://www.phoenixcontact.com/us/products/1424779>

	23.6 dB (at 31.25 MHz)
	21.5 dB (at 62.5 MHz)
	20.1 dB (at 100 MHz)
Halogen-free	according to IEC 60754-1
Resistance to oil	in accordance with EN 60811-2-1
Flame resistance	according to IEC 60332-1-2
Ambient temperature (operation)	-20 °C ... 80 °C (Cable, flexible installation)
	-40 °C ... 80 °C (cable, fixed installation)

NBC-R4BQRB/2,0-94B/OE - Network cable

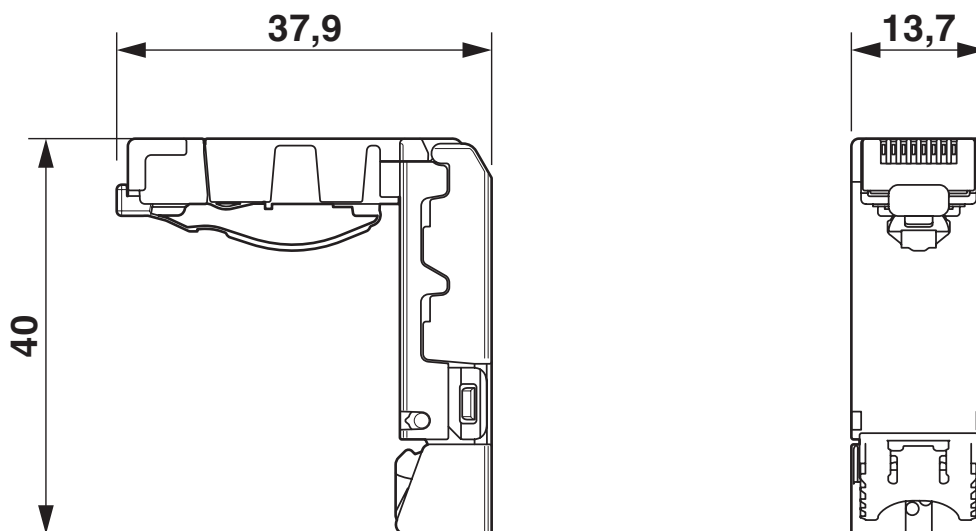


1424779

<https://www.phoenixcontact.com/us/products/1424779>

Drawings

Dimensional drawing



RJ45 connector, IP20, angled

NBC-R4BQRB/2,0-94B/OE - Network cable



1424779

<https://www.phoenixcontact.com/us/products/1424779>

Classifications

ECLASS

ECLASS-13.0	27060307
ECLASS-15.0	27060307

ETIM

ETIM 9.0	EC001855
----------	----------

UNSPSC

UNSPSC 21.0	39121400
-------------	----------

NBC-R4BQRB/2,0-94B/OE - Network cable



1424779

<https://www.phoenixcontact.com/us/products/1424779>

Environmental product compliance

EU RoHS

Fulfills EU RoHS substance requirements	Yes, No exemptions
---	--------------------

China RoHS

Environment friendly use period (EFUP)	EFUP-E
	No hazardous substances above the limits

EU REACH SVHC

REACH candidate substance (CAS No.)	No substance above 0.1 wt%
-------------------------------------	----------------------------

Phoenix Contact 2026 © - all rights reserved
<https://www.phoenixcontact.com>

Phoenix Contact USA
586 Fulling Mill Road
Middletown, PA 17057, United States
(+717) 944-1300
info@phoenixcon.com