

# SAC-8PY-F/M4P-FD SH - Y distributor



1424748

<https://www.phoenixcontact.com/us/products/1424748>

Please be informed that the data shown in this PDF document is generated from our online catalog. Please find the complete data in the user documentation. Our general terms of use for downloads are valid.



Y distributor, 8-position, shielded, Plug straight M12 SPEEDCON, coding: A, on Socket straight M12 SPEEDCON, coding: D and Plug straight M12 SPEEDCON, coding: D, Connector, 360° shielded

## Your advantages

- Safe use in the field, thanks to a high degree of protection
- Reliable signal transmission – 360° shielding in environments with electromagnetic interference
- Save time, thanks to installation with SPEEDCON fast locking system

## Commercial data

Item number	1424748
Packing unit	5 pc
Minimum order quantity	1 pc
Note	Made to order (non-returnable)
Sales key	BF10
Product key	AF1GAD
GTIN	4055626384719
Weight per piece (including packing)	45.25 g
Weight per piece (excluding packing)	45.25 g
Customs tariff number	85366990
Country of origin	PL

# SAC-8PY-F/M4P-FD SH - Y distributor

1424748

<https://www.phoenixcontact.com/us/products/1424748>

## Technical data

### Product properties

Product type	Y-distributor
Number of positions	8
No. of cable outlets	2
Shielded	yes
Coding	A
Thread type	M12

### Insulation characteristics

Overvoltage category	II
Degree of pollution	3

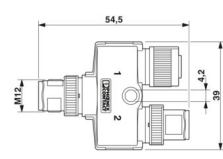
### Electrical properties

Insulation resistance	$\geq 100 \text{ M}\Omega$
Nominal voltage $U_N$	30 V AC
	30 V DC
Nominal current $I_N$	2 A
Transmission medium	Copper

### Signaling

Status display	no
Status display present	no

### Dimensions

Dimensional drawing	
Center distance	21 mm

### Material specifications

Flammability rating according to UL 94	HB
Seal material	NBR
Material of grip body	TPU, hardly inflammable, self-extinguishing
Contact material	CuZn
Contact surface material	Ni/Au
Contact carrier material	TPU GF
Material for screw connection	Zinc die-cast, nickel-plated

### Connector

Connection 1

# SAC-8PY-F/M4P-FD SH - Y distributor



1424748

<https://www.phoenixcontact.com/us/products/1424748>

Type	Plug straight M12 SPEEDCON
Locking type	SPEEDCON
Coding type	A

## Connection 2

Type	Socket straight M12 SPEEDCON
Locking type	SPEEDCON
Coding type	D

## Connection 3

Type	Plug straight M12 SPEEDCON
Locking type	SPEEDCON
Coding type	D

## Mechanical properties

### Mechanical data

Insertion/withdrawal cycles	≥ 100
-----------------------------	-------

## Environmental and real-life conditions

### Ambient conditions

Degree of protection	IP67
Ambient temperature (operation) (male connector/female connector)	-25 °C ... 90 °C (Plug / socket)

## Standards and regulations

Standard designation	M12 connector
Standards/specifications	IEC 61076-2-101

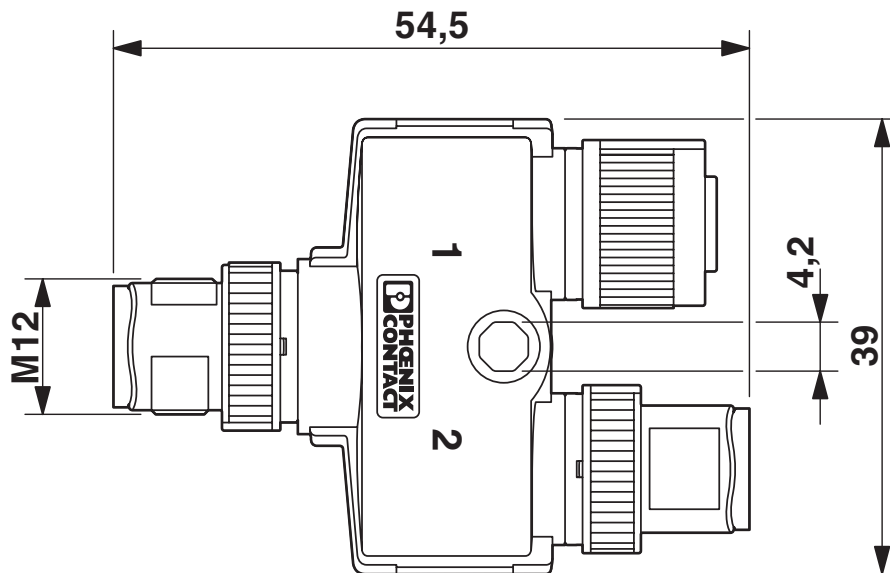
# SAC-8PY-F/M4P-FD SH - Y distributor

1424748

<https://www.phoenixcontact.com/us/products/1424748>

## Drawings

Dimensional drawing



M12 Y distributor

Schematic diagram



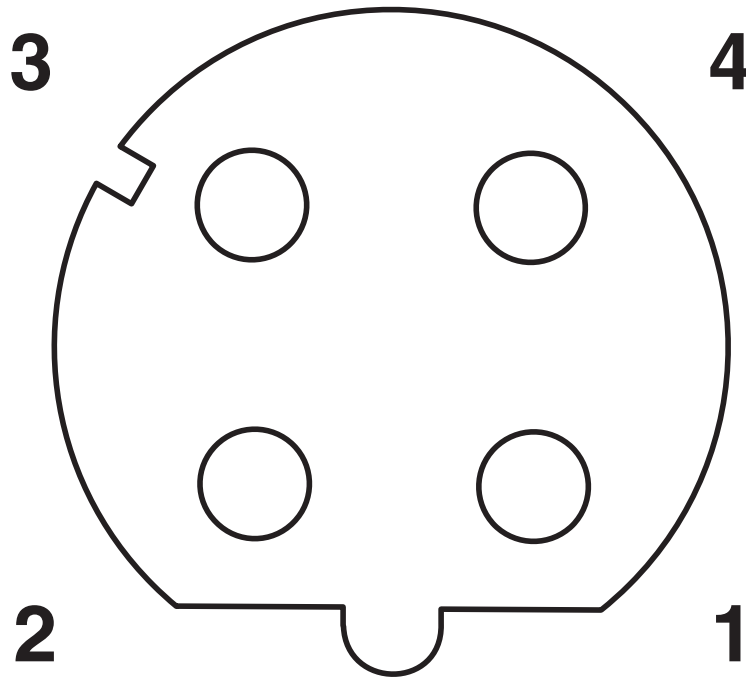
Pin assignment M12 male connector, 5-pos., A-coded, male side

# SAC-8PY-F/M4P-FD SH - Y distributor

1424748

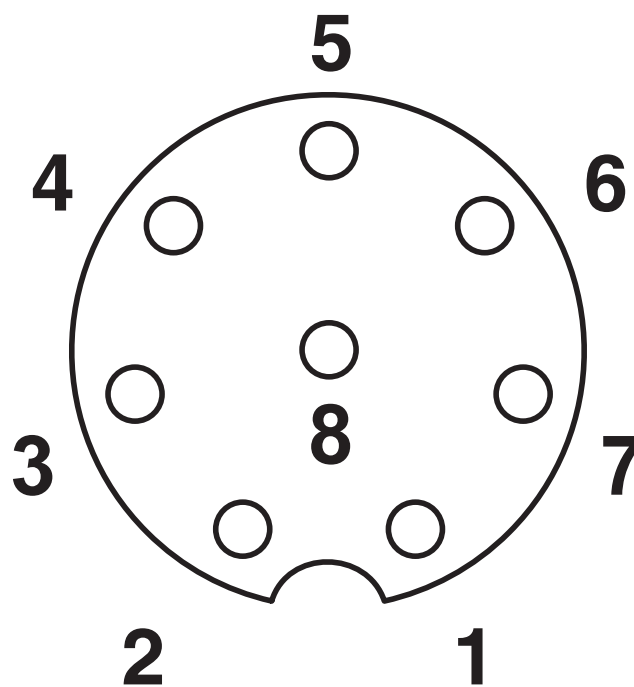
<https://www.phoenixcontact.com/us/products/1424748>

Schematic diagram



Pin assignment M12 socket, 4-pos., D-coded, female side

Schematic diagram

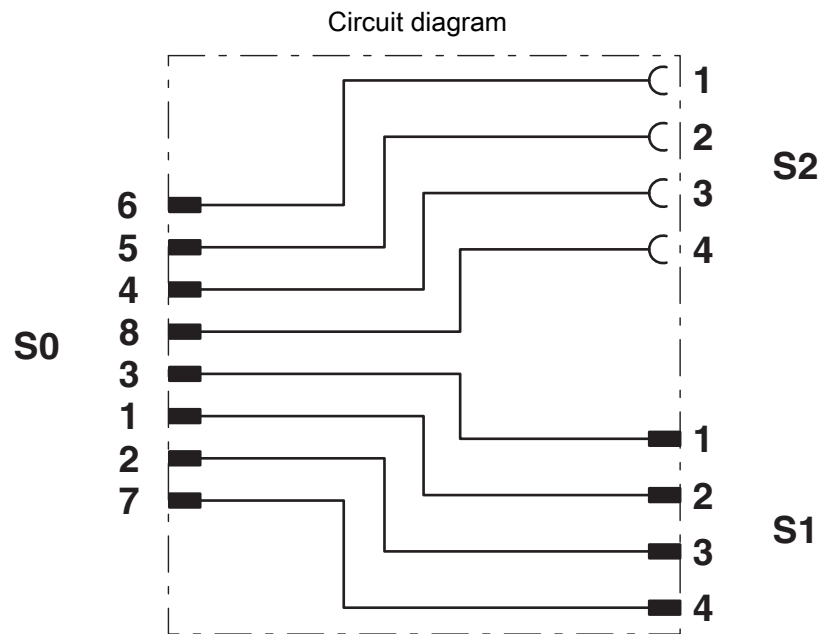


Pin assignment M12 socket, 8-pos., A-coded, view female side

# SAC-8PY-F/M4P-FD SH - Y distributor

1424748

<https://www.phoenixcontact.com/us/products/1424748>



Contact assignment of the M12 Y distributor

# SAC-8PY-F/M4P-FD SH - Y distributor



1424748

<https://www.phoenixcontact.com/us/products/1424748>

## Classifications

### ECLASS

ECLASS-13.0	27440106
ECLASS-15.0	27440106

### ETIM

ETIM 10.0	EC002925
-----------	----------

### UNSPSC

UNSPSC 21.0	31251500
-------------	----------

# SAC-8PY-F/M4P-FD SH - Y distributor



1424748

<https://www.phoenixcontact.com/us/products/1424748>

## Environmental product compliance

### EU RoHS

Fulfills EU RoHS substance requirements	Yes, No exemptions
---	--------------------

### China RoHS

Environment friendly use period (EFUP)	EFUP-E
	No hazardous substances above the limits

### EU REACH SVHC

REACH candidate substance (CAS No.)	No substance above 0.1 wt%
-------------------------------------	----------------------------

Phoenix Contact 2026 © - all rights reserved  
<https://www.phoenixcontact.com>

Phoenix Contact USA  
586 Fulling Mill Road  
Middletown, PA 17057, United States  
(+717) 944-1300  
[info@phoenixcon.com](mailto:info@phoenixcon.com)