

SACC-M12MS-4PL M - Connector



1424657

<https://www.phoenixcontact.com/us/products/1424657>

Please be informed that the data shown in this PDF document is generated from our online catalog. Please find the complete data in the user documentation. Our general terms of use for downloads are valid.



Connector, Universal, 4-position, unshielded, Plug straight M12, coding: A, Push-lock spring connection, knurl material: Zinc die-cast, nickel-plated, external cable diameter 4 mm ... 8 mm

Your advantages

- Time-saving Push-Lock connection: Tool-free connection and disconnection of conductors by opening the contact levers
- Intuitive connection: Easy assignment of individual litz wires with color-coded and numerical identification of the contact levers
- Integrated Push-in Technology: Wire rigid and pretreated conductors easily by means of simple, direct insertion
- Shock- and vibration-resistant connection: Proven spring-cage technology guarantees secure and reliable contacting

Commercial data

Item number	1424657
Packing unit	1 pc
Minimum order quantity	1 pc
Sales key	BF33
Product key	AF2CEA
GTIN	4055626375847
Weight per piece (including packing)	21 g
Weight per piece (excluding packing)	20 g
Customs tariff number	85366990
Country of origin	DE

SACC-M12MS-4PL M - Connector



1424657

<https://www.phoenixcontact.com/us/products/1424657>

Technical data

Notes

Assembly note	NOTE: Observe the permissible bending radii when routing cables, since the degree of protection may be at risk if the bending forces are too high. Reduce mechanical loads upstream of the connector, e.g., by using cable ties.
---------------	---

Mounting

Assembly note	The wires can be connected both with ferrules and without ferrules
---------------	--

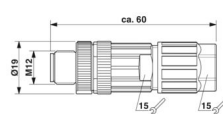
Product properties

Product type	Circular connector (cable-side)
Number of positions	4
No. of cable outlets	1
Shielded	no
Coding	A
Cable outlet	straight

Insulation characteristics

Overvoltage category	II
Degree of pollution	3

Dimensions

Dimensional drawing	
Length	60 mm
External dimensions	
Outside diameter	4 mm ... 8 mm
Housing	
Diameter housing	19 mm

Material specifications

Material	PBT (Pressure nut, weight: 2.36 g) PA 6 (Actuation lever)
Flammability rating according to UL 94	V0
Seal material	NBR
Material of grip body	PA 6.6
Contact material	CuSn
Contact surface material	Ni/Au

SACC-M12MS-4PL M - Connector



1424657

<https://www.phoenixcontact.com/us/products/1424657>

Contact carrier material	PA 6.6
Material for screw connection	Zinc die-cast, nickel-plated
Standards/regulations	PA 6.6
	PA 6
	PBT

Connection data

Conductor connection

Connection method	Push-lock spring connection
Connection cross section	0.14 mm ² ... 0.75 mm ² (without ferrule)
	0.14 mm ² ... 0.5 mm ² (with ferrule)
Connection cross section AWG	26 ... 18 (without ferrule)
	26 ... 20 (with ferrule)
Stripping length of the individual wire	7 mm
Tightening torque	0.4 Nm (M12 knurl)
	0.4 Nm (Connector with coupling sleeve)
	1.5 Nm (Pressure nut with coupling sleeve)

Connection assignment

Contact Color (signal designation) Contact (optional)	1 = BN
	2 = WH
	3 = BU
	4 = BK

Electrical properties

Rated surge voltage	2.5 kV
Contact resistance	≤ 5 mΩ
Insulation resistance	≥ 100 MΩ
Nominal voltage U _N	250 V AC
	250 V DC
Nominal current I _N	4 A (2 A when using 0.14 mm ² conductors)

Mechanical properties

Mechanical data

Insertion/withdrawal cycles	≥ 100 (Quantity: 500 with Phoenix Contact mating connector)
-----------------------------	---

Connector

Connection 1

Head design	Plug
Head cable outlet	straight
Head thread type	M12
Coding	A

Cable/line

SACC-M12MS-4PL M - Connector



1424657

<https://www.phoenixcontact.com/us/products/1424657>

Signal type/category	Universal
Stripping length of the individual wire	7 mm

Environmental and real-life conditions

Ambient conditions

Degree of protection	IP65 IP67
Ambient temperature (operation) (male connector/female connector)	-40 °C ... 85 °C (Plug / socket)

Standards and regulations

Testing

Standards/regulations	PA 6.6: Fire protection in rail vehicles - requirement sets R22, R23, R24, and R26 acc. to DIN EN 45545-2 (Risk level HL1 - HL3)
	PA 6: Fire protection in rail vehicles - requirement sets R22, R23, and R24 acc. to DIN EN 45545-2 (Risk level HL1 - HL3)
	PBT: Fire protection in rail vehicles - requirement sets R22, R23, R24, and R26 acc. to DIN EN 45545-2 (Risk level HL1 - HL2, R26: HL3)

M12

Standard designation	M12 connector
Standards/specifications	IEC 61076-2-101
Standard designation	Shock, vibration
Standards/specifications	EN 50155:2001

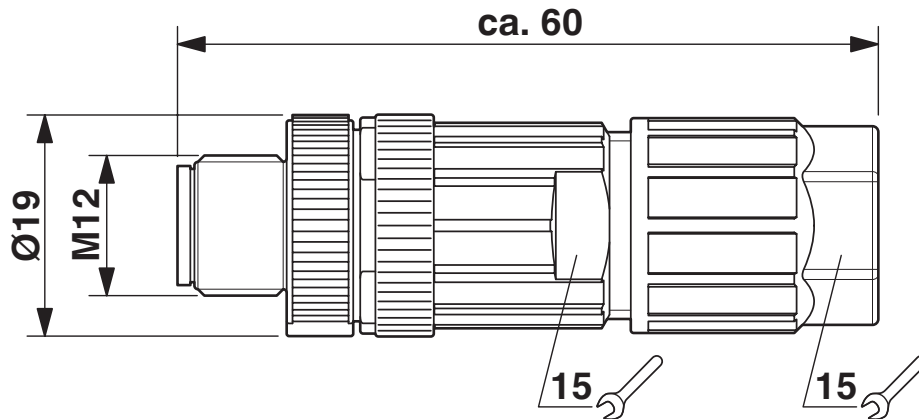
SACC-M12MS-4PL M - Connector

1424657

<https://www.phoenixcontact.com/us/products/1424657>

Drawings

Dimensional drawing



Plug, M12 x 1, straight

Functional drawing



SACC-M12MS-4PL M - Connector

1424657

<https://www.phoenixcontact.com/us/products/1424657>



Schematic diagram



Pin assignment M12 plug, 4-pos., A-coded, view plug side

SACC-M12MS-4PL M - Connector




1424657

<https://www.phoenixcontact.com/us/products/1424657>

Approvals

To download certificates, visit the product detail page: <https://www.phoenixcontact.com/us/products/1424657>

 UL Listed Approval ID: E221474				
	Nominal voltage U_N	Nominal current I_N	Cross section AWG	Cross section mm^2
keine				
	250 V	4 A	26 - 18	26 - 18

 cUL Listed Approval ID: E221474				
	Nominal voltage U_N	Nominal current I_N	Cross section AWG	Cross section mm^2
keine				
	250 V	4 A	26 - 18	-

SACC-M12MS-4PL M - Connector



1424657

<https://www.phoenixcontact.com/us/products/1424657>

Classifications

ECLASS

ECLASS-13.0	27440116
ECLASS-15.0	27440116

ETIM

ETIM 10.0	EC002635
-----------	----------

UNSPSC

UNSPSC 21.0	39121400
-------------	----------

SACC-M12MS-4PL M - Connector



1424657

<https://www.phoenixcontact.com/us/products/1424657>

Environmental product compliance

EU RoHS

Fulfills EU RoHS substance requirements	Yes, No exemptions
---	--------------------

China RoHS

Environment friendly use period (EFUP)	EFUP-E
	No hazardous substances above the limits

EU REACH SVHC

REACH candidate substance (CAS No.)	No substance above 0.1 wt%
-------------------------------------	----------------------------

Phoenix Contact 2026 © - all rights reserved
<https://www.phoenixcontact.com>

Phoenix Contact USA
586 Fulling Mill Road
Middletown, PA 17057, United States
(+717) 944-1300
info@phoenixcon.com