

# HC-HPR-D07-HLWH-1TTM20-EM-BK - Housing



1424638

<https://www.phoenixcontact.com/us/products/1424638>

Please be informed that the data shown in this PDF document is generated from our online catalog. Please find the complete data in the user documentation. Our general terms of use for downloads are valid.



Sleeve housing D7, with screw locking, material: Die-cast zinc, cable outlets: 1, straight, 1x M20, height: 54.9 mm, cable gland: none, protective cover: no, Railway applications, for increased environmental and EMC requirements, Series HPR

## Your advantages

- Vibration and shock: IEC 61373/EN 50155, category 1, class 1B

## Commercial data

Item number	1424638
Packing unit	1 pc
Minimum order quantity	1 pc
Sales key	BF60
Product key	AF7AAJ
GTIN	4055626375670
Weight per piece (including packing)	82.2 g
Weight per piece (excluding packing)	79 g
Customs tariff number	85389099
Country of origin	CN

1424638

<https://www.phoenixcontact.com/us/products/1424638>

## Technical data

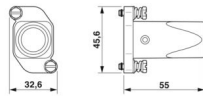
### Product properties

Product type	Housing with screw locking
Housing type	Sleeve housing
Series	HPR-D7
Application	Railway applications
Type	D7
No. of cable outlets	1
Type of the screw connection	1x M20
Protective cover	no
Shielded	yes
Cable outlet	straight
Pg screw connection	none

### Connection data

Tightening torque	1 Nm (Locking screw)
-------------------	----------------------

### Dimensions

Dimensional drawing	
Width	32.4 mm
Height	54.9 mm
Length	45.5 mm

### Material specifications

Housing material	Die-cast zinc
Housing surface material	Powder-coated, black
Locking latch material	Stainless steel

### Environmental and real-life conditions

#### Ambient conditions

Degree of protection	IP66 (with sealing screw) IP68 (0.4 bar / 30 min. with sealing screw) IP69 (ISO 20653:2013-02)
Impact strength	IK09
Ambient temperature (operation)	-40 °C ... 125 °C

### Mechanical properties

#### Mechanical data

Type of the screw connection	1x M20
------------------------------	--------

# HC-HPR-D07-HLWH-1TTM20-EM-BK - Housing



1424638

<https://www.phoenixcontact.com/us/products/1424638>

Locking type	Screw
--------------	-------

## Mounting

Assembly note	M4 locking screw, slotted hexagon head screw (wrench size 7), tightening torque: 1 Nm. The seal of the pin contact insert should be removed. Max. thread length of the screw connection: 6 mm
	Mount contact insert with sealing screw in the housing

# HC-HPR-D07-HLWH-1TTM20-EM-BK - Housing

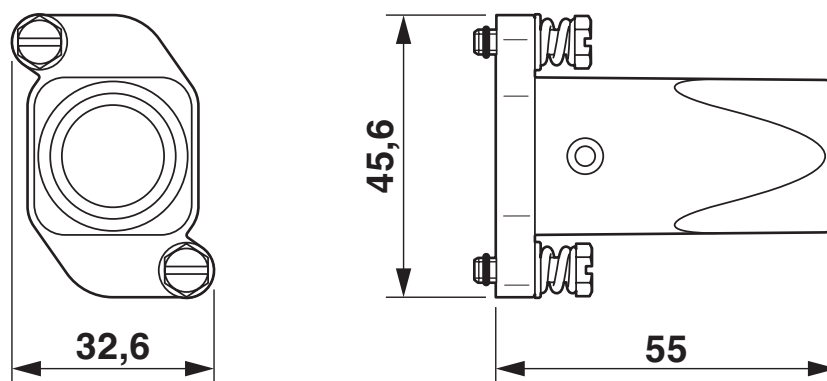


1424638

<https://www.phoenixcontact.com/us/products/1424638>

## Drawings

Dimensional drawing



Dimensional drawing

1424638

<https://www.phoenixcontact.com/us/products/1424638>

## Approvals

🔗 To download certificates, visit the product detail page: <https://www.phoenixcontact.com/us/products/1424638>

**DNV**

Approval ID: TAE000037S

1424638

<https://www.phoenixcontact.com/us/products/1424638>

## Classifications

### ECLASS

ECLASS-13.0	27440202
ECLASS-15.0	27440202

### ETIM

ETIM 10.0	EC000437
-----------	----------

### UNSPSC

UNSPSC 21.0	31261500
-------------	----------

1424638

<https://www.phoenixcontact.com/us/products/1424638>

## Environmental product compliance

### EU RoHS

Fulfills EU RoHS substance requirements	Yes, No exemptions
---	--------------------

### China RoHS

Environment friendly use period (EFUP)	EFUP-E
	No hazardous substances above the limits

### EU REACH SVHC

REACH candidate substance (CAS No.)	No substance above 0.1 wt%
-------------------------------------	----------------------------

Phoenix Contact 2026 © - all rights reserved  
<https://www.phoenixcontact.com>

Phoenix Contact USA  
586 Fulling Mill Road  
Middletown, PA 17057, United States  
(+717) 944-1300  
[info@phoenixcon.com](mailto:info@phoenixcon.com)