

# HC-HPR-D07-BFH-EMR-BK - Housing



1424637

<https://www.phoenixcontact.com/us/products/1424637>

Please be informed that the data shown in this PDF document is generated from our online catalog. Please find the complete data in the user documentation. Our general terms of use for downloads are valid.



Panel mounting base D7, For screw locking, material: Die-cast zinc, height: 24.3 mm, cable gland: none, protective cover: no, Railway applications, for increased environmental and EMC requirements, Series HPR

## Your advantages

- Vibration and shock: IEC 61373/EN 50155, category 1, class 1B

## Commercial data

|                                      |               |
|--------------------------------------|---------------|
| Item number                          | 1424637       |
| Packing unit                         | 1 pc          |
| Minimum order quantity               | 1 pc          |
| Sales key                            | BF60          |
| Product key                          | AF7AAJ        |
| GTIN                                 | 4055626375663 |
| Weight per piece (including packing) | 48.7 g        |
| Weight per piece (excluding packing) | 46.6 g        |
| Customs tariff number                | 85389099      |
| Country of origin                    | CN            |

1424637

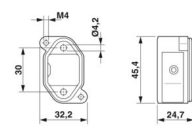
<https://www.phoenixcontact.com/us/products/1424637>

## Technical data

### Product properties

|                     |                            |
|---------------------|----------------------------|
| Product type        | Housing with screw locking |
| Housing type        | Panel mounting base        |
| Product family      | HC-STA-D07                 |
| Series              | HPR-D7                     |
| Application         | Railway applications       |
| Type                | D7                         |
| Protective cover    | no                         |
| Shielded            | yes                        |
| Pg screw connection | none                       |

### Dimensions

|                     |   |
|---------------------|---|
| Dimensional drawing |  |
| Width               | 32.2 mm   |
| Height              | 24.3 mm   |
| Length              | 45.4 mm   |
| Hole diameter       | 4.2 mm  |

### Installation dimensions

|                               |       |
|-------------------------------|-------|
| Width of the assembly cutout  | 22 mm |
| Length of the assembly cutout | 22 mm |

### Material specifications

|                          |                      |
|--------------------------|----------------------|
| Seal material            | NBR                  |
|                          | NBR                  |
| Housing material         | Die-cast zinc        |
| Housing surface material | Powder-coated, black |

### Environmental and real-life conditions

#### Ambient conditions

|                                 |   |
|---------------------------------|---|
| Degree of protection            | IP66 (with sealing screw)                   |
|                                 | IP68 (0.4 bar / 30 min. with sealing screw) |
|                                 | IP69 (ISO 20653:2013-02)                    |
| Impact strength                 | IK09  |
| Ambient temperature (operation) | -40 °C ... 125 °C                           |

### Mechanical properties

# HC-HPR-D07-BFH-EMR-BK - Housing



1424637

<https://www.phoenixcontact.com/us/products/1424637>

## Mechanical data

|              |     |
|--------------|-----|
| Locking type | Nut |
|--------------|-----|

## Mounting

|               |   |
|---------------|---|
| Assembly note | M4 locking screw, slotted hexagon head screw (wrench size 7), tightening torque: 1 Nm. The seal of the pin contact insert should be removed. Max. thread length of the screw connection: 6 mm |
|               | Mount contact insert with sealing screw in the housing  |

# HC-HPR-D07-BFH-EMR-BK - Housing

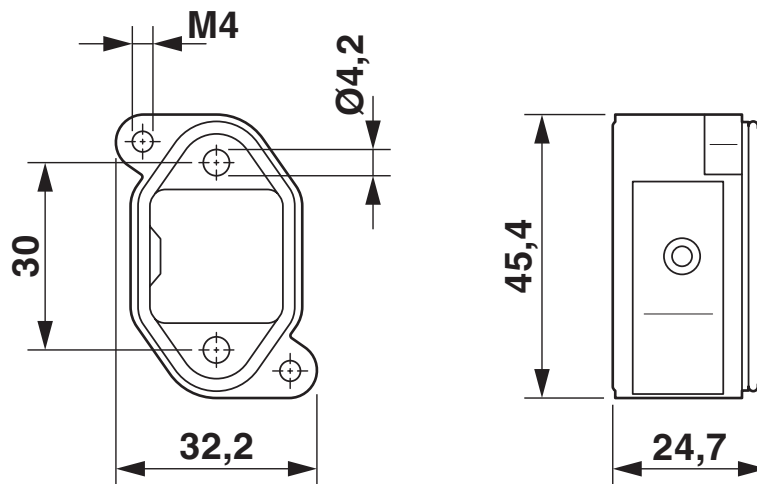
1424637

<https://www.phoenixcontact.com/us/products/1424637>



## Drawings

Dimensional drawing



Dimensional drawing

# HC-HPR-D07-BFH-EMR-BK - Housing



1424637

<https://www.phoenixcontact.com/us/products/1424637>

## Approvals

🔗 To download certificates, visit the product detail page: <https://www.phoenixcontact.com/us/products/1424637>

**DNV**

Approval ID: TAE000037S

1424637

<https://www.phoenixcontact.com/us/products/1424637>

## Classifications

### ECLASS

|             |          |
|-------------|----------|
| ECLASS-13.0 | 27440202 |
| ECLASS-15.0 | 27440202 |

### ETIM

|           |          |
|-----------|----------|
| ETIM 10.0 | EC000437 |
|-----------|----------|

### UNSPSC

|             |          |
|-------------|----------|
| UNSPSC 21.0 | 31261500 |
|-------------|----------|

1424637

<https://www.phoenixcontact.com/us/products/1424637>

## Environmental product compliance

### EU RoHS

|   |                    |
|---|--------------------|
| Fulfills EU RoHS substance requirements | Yes, No exemptions |
|---|--------------------|

### China RoHS

|  |  |
|--|--|
| Environment friendly use period (EFUP) | EFUP-E                                   |
|  | No hazardous substances above the limits |

### EU REACH SVHC

|                                     |                            |
|-------------------------------------|----------------------------|
| REACH candidate substance (CAS No.) | No substance above 0.1 wt% |
|-------------------------------------|----------------------------|

Phoenix Contact 2026 © - all rights reserved  
<https://www.phoenixcontact.com>

Phoenix Contact USA  
586 Fulling Mill Road  
Middletown, PA 17057, United States  
(+717) 944-1300  
[info@phoenixcon.com](mailto:info@phoenixcon.com)