

SAC-5P- 1,5-290/M12FRL FE - Power cable



1424605

<https://www.phoenixcontact.com/us/products/1424605>

Please be informed that the data shown in this PDF document is generated from our online catalog. Please find the complete data in the user documentation. Our general terms of use for downloads are valid.



Power cable, 5-position, PUR halogen-free, gray RAL 7001, free cable end, on Socket angled M12, coding: L, cable length: 1.5 m, For direct current up to 12 A/63 V

Your advantages

- Easy and safe: 100 % electrically tested plug-in components
- Protection against mismatching, thanks to special L-coding
- Our standard: robust halogen-free PUR cable

Commercial data

Item number	1424605
Packing unit	1 pc
Minimum order quantity	1 pc
Sales key	BF05
Product key	AF1CDP
GTIN	4055626375304
Weight per piece (including packing)	182.3 g
Weight per piece (excluding packing)	182.3 g
Customs tariff number	85444290
Country of origin	PL

SAC-5P- 1,5-290/M12FRL FE - Power cable



1424605

<https://www.phoenixcontact.com/us/products/1424605>

Technical data

Product properties

Product type	Power cable
Application	Energy supply
Number of positions	5
No. of cable outlets	1
Shielded	no
Coding	L

Insulation characteristics

Overvoltage category	III
Degree of pollution	3

Material specifications

Flammability rating according to UL 94	V0
Material of grip body	PP
Contact material	CuZn
Contact surface material	Ni/Au
Contact carrier material	PA
Material for screw connection	Zinc die-cast, nickel-plated

Electrical properties

Insulation resistance	$\geq 100 \text{ M}\Omega$
Nominal voltage U_N	63 V DC
Nominal current I_N	12 A

Mechanical properties

Mechanical data

Insertion/withdrawal cycles	≥ 100
-----------------------------	------------

Connector

Connection 1

Type	free cable end
------	----------------

Connection 2

Type	Socket angled M12
Coding type	L (Power)

Cable/line

Cable length	1.5 m
--------------	-------

PUR halogen-free gray [290]

SAC-5P- 1,5-290/M12FRL FE - Power cable



1424605

<https://www.phoenixcontact.com/us/products/1424605>

Dimensional drawing	
Cable weight	100 kg/km
UL AWM Style	20549 / 10493 (80°C/300 V)
Shielded	no
Cable type	PUR halogen-free gray [290]
Conductor structure, voltage supply	44x 0.20 mm
AWG power supply	16
Conductor cross-section	5x 1.5 mm ²
Wire diameter incl. insulation	2.2 mm ±0.05 mm
External cable diameter	7.50 mm ±0.25 mm
Outer sheath, material	PUR
External sheath, color	gray RAL 7001
Conductor material	Bare Cu litz wires
Material wire insulation	PP
Single wire, color	brown, white, blue, black, pink
Thickness, insulation	≥ 0.26 mm
Thickness, outer sheath	approx. 0.70 mm
Max. conductor resistance	≤ 14.1 Ω/km (at 20 °C)
Insulation resistance	≥ 1 GΩ*km (at 20 °C)
Nominal voltage, cable	≤ 300 V AC
Test voltage	≥ 3000 V AC (Spark test)
Minimum bending radius, fixed installation	5 x D
Minimum bending radius, flexible installation	10 x D
Smallest bending radius, fixed installation	38 mm
Smallest bending radius, movable installation	75 mm
Dynamic load capacity (bending)	Max. bending cycles: 5000000, Bending radius: 10 x D, Traversing path: 10 m, Traversing rate: 3 m/s, Acceleration: 10 m/s ²
Dynamic load capacity (torsion)	Torsion: ±180 °/m, Torsion cycles: 500000, Torsional frequency: 35 cycles/min.
Halogen-free	in accordance with DIN VDE 0472 part 815 according to IEC 60754-1
Flame resistance	in accordance with UL 758/1581 FT2 complying with IEC 60332-2-2
Resistance to oil	according to DIN EN 60811-404, 168 h at 100 °C
Other resistance	Hydrolysis and microbe resistant as per VDE 0282 section 10 Low adhesion

SAC-5P- 1,5-290/M12FRL FE - Power cable



1424605

<https://www.phoenixcontact.com/us/products/1424605>

	abrasion-resistant
	Resistant to salt water
Ambient temperature (operation)	-50 °C ... 85 °C (cable, fixed installation)
	-30 °C ... 85 °C (Cable, flexible installation)

Environmental and real-life conditions

Ambient conditions

Degree of protection	IP65
	IP67
Ambient temperature (operation) (male connector/female connector)	-25 °C ... 85 °C (Plug / socket)

Standards and regulations

Standard designation	M12 connector
Standards/specifications	IEC 61076-2-111

SAC-5P- 1,5-290/M12FRL FE - Power cable

1424605

<https://www.phoenixcontact.com/us/products/1424605>



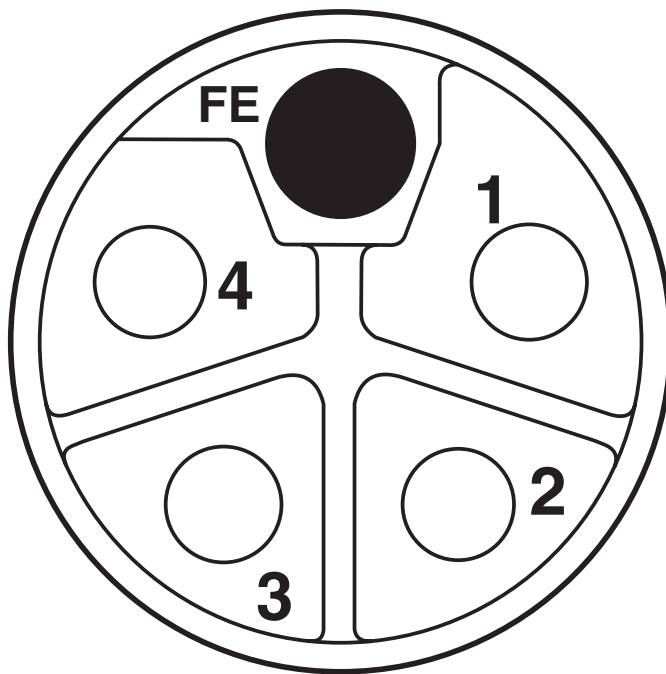
Drawings

Dimensional drawing



M12 x 1 socket, angled

Schematic diagram



Pin assignment of M12 socket, 5-pos., L-coded, socket side view

Diagram



Base curve

SAC-5P- 1,5-290/M12FRL FE - Power cable



1424605

<https://www.phoenixcontact.com/us/products/1424605>

Circuit diagram



Contact assignment of the M12 socket

SAC-5P- 1,5-290/M12FRL FE - Power cable



1424605

<https://www.phoenixcontact.com/us/products/1424605>

Approvals

To download certificates, visit the product detail page: <https://www.phoenixcontact.com/us/products/1424605>



UL Listed

Approval ID: E468743



cUL Listed

Approval ID: E468743



EAC-RoHS

Approval ID: RU D-DE.HB35.B.00387

SAC-5P- 1,5-290/M12FRL FE - Power cable



1424605

<https://www.phoenixcontact.com/us/products/1424605>

Classifications

ECLASS

ECLASS-13.0	27060327
ECLASS-15.0	27060327

ETIM

ETIM 10.0	EC001855
-----------	----------

UNSPSC

UNSPSC 21.0	26121600
-------------	----------

SAC-5P- 1,5-290/M12FRL FE - Power cable



1424605

<https://www.phoenixcontact.com/us/products/1424605>

Environmental product compliance

EU RoHS

Fulfills EU RoHS substance requirements	Yes, No exemptions
---	--------------------

China RoHS

Environment friendly use period (EFUP)	EFUP-E
	No hazardous substances above the limits

EU REACH SVHC

REACH candidate substance (CAS No.)	No substance above 0.1 wt%
-------------------------------------	----------------------------

EF3.1 Climate Change

CO2e kg	2.053 kg CO2e
---------	---------------

Phoenix Contact 2026 © - all rights reserved
<https://www.phoenixcontact.com>

Phoenix Contact USA
586 Fulling Mill Road
Middletown, PA 17057, United States
(+717) 944-1300
info@phoenixcon.com