

# A-INL-PG29-P-LG - Counter nut



1424554

<https://www.phoenixcontact.com/us/products/1424554>

Please be informed that the data shown in this PDF document is generated from our online catalog. Please find the complete data in the user documentation. Our general terms of use for downloads are valid.

Counter nut, connecting thread: Pg29, color: light gray



## Commercial data

|                                      |               |
|--------------------------------------|---------------|
| Item number                          | 1424554       |
| Packing unit                         | 5 pc          |
| Minimum order quantity               | 1 pc          |
| Sales key                            | BF68          |
| Product key                          | AF7DZX        |
| GTIN                                 | 4055626374581 |
| Weight per piece (including packing) | 7.86 g        |
| Weight per piece (excluding packing) | 7.67 g        |
| Customs tariff number                | 39269097      |
| Country of origin                    | TR            |

# A-INL-PG29-P-LG - Counter nut

1424554

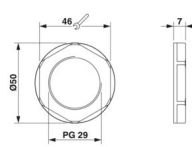
<https://www.phoenixcontact.com/us/products/1424554>

## Technical data

### Product properties

|              |          |
|--------------|----------|
| Product type | Flat nut |
|--------------|----------|

### Dimensions

|                             |  |
|-----------------------------|--|
| Dimensional drawing         |  |
| Length                      | 7 mm   |
| Diameter                    | 37 mm  |
| Connecting thread diameter  | 37 mm  |
| Wrench size, counter nut    | 46 mm  |
| Hexagon angular dimension   | 50 mm  |
| Thread type connection side | Pg29   |

### Material specifications

|  |           |
|--|-----------|
| Material                               | PA 6.6 GF |
| Flammability rating according to UL 94 | V2        |

### Cable/line

|              |     |
|--------------|-----|
| Halogen-free | yes |
|--------------|-----|

### Environmental and real-life conditions

#### Ambient conditions

|                                 |                   |
|---------------------------------|-------------------|
| Ambient temperature (operation) | -40 °C ... 100 °C |
|---------------------------------|-------------------|

# A-INL-PG29-P-LG - Counter nut

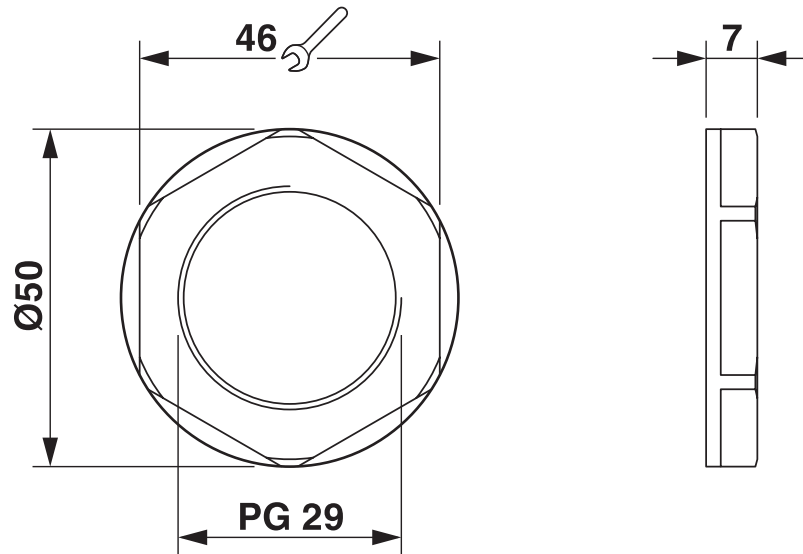
1424554

<https://www.phoenixcontact.com/us/products/1424554>



## Drawings

Dimensional drawing



# A-INL-PG29-P-LG - Counter nut



1424554

<https://www.phoenixcontact.com/us/products/1424554>

## Classifications

### ECLASS

|             |          |
|-------------|----------|
| ECLASS-13.0 | 27140807 |
| ECLASS-15.0 | 27140807 |

### ETIM

|           |          |
|-----------|----------|
| ETIM 10.0 | EC003608 |
|-----------|----------|

### UNSPSC

|             |          |
|-------------|----------|
| UNSPSC 21.0 | 31161700 |
|-------------|----------|

# A-INL-PG29-P-LG - Counter nut



1424554

<https://www.phoenixcontact.com/us/products/1424554>

## Environmental product compliance

### EU RoHS

|   |                    |
|---|--------------------|
| Fulfills EU RoHS substance requirements | Yes, No exemptions |
|---|--------------------|

### China RoHS

|  |  |
|--|--|
| Environment friendly use period (EFUP) | EFUP-E                                   |
|  | No hazardous substances above the limits |

### EU REACH SVHC

|                                     |                            |
|-------------------------------------|----------------------------|
| REACH candidate substance (CAS No.) | No substance above 0.1 wt% |
|-------------------------------------|----------------------------|

Phoenix Contact 2026 © - all rights reserved  
<https://www.phoenixcontact.com>

Phoenix Contact USA  
586 Fulling Mill Road  
Middletown, PA 17057, United States  
(+717) 944-1300  
[info@phoenixcon.com](mailto:info@phoenixcon.com)